

MODEL	STROKE TIME (s) FOR CONTROLLI VALVES (*)			POWER SUPPLY (V~)	CONTROL
	16,5 mm	25 mm	45 mm		
MVH26	22	33	60	230 V	3p
MVH36				pot.	
MVH46				3p	
MVH56				prop.	
MVH36A				pot.	
MVH36C					

Note: MVH36A/C models are fitted with spring return device

(\*) The time for 1 mm joint movement is 1,33 s.  
For timing related to different strokes use the following formula:

$$\text{Time (s)} = 1,33 \times \text{stroke (mm)}$$

### APPLICATION AND USE

MVH actuators have linear characteristic (linear ratio between input signal and valve coupling joint movement). They are used for fluid control in air-conditioning-heating systems and in industrial processes.

Three different control types are available:

- floating (3p)
- 165 Ohm proportional potentiometric (pot.)
- proportional (d.c. voltage or current)

They are designed for direct coupling on all CONTROLLI flanged globe valves (add AG62 linkage for V.B valves) and they can also be easily used on other manufacturers' valves with 0.45 mm stroke for floating action models or 10..45 mm stroke for proportional action models.

### OPERATION

Actuators are fitted with an asynchronous bidirectional motor and with a torque limit device that makes the actuators self-adjusting on valves with a different stroke, ensuring - moreover - a constant force to the valve mechanical stroke-ends regardless of their position.

Voltage/current proportional models are also provided with both a feedback output signal indicating valve position and a device to select direct or reverse action.

All models are equipped with a manual control in order to override the actuator in case of control and/or power supply failure.

**Note: do not use the actuator disassembled from the valve.**

### MANUFACTURING CHARACTERISTICS

The actuator consists in a die-cast aluminium housing, which includes mounting bracket and removable fire resistant terminal cover with captive bolts and a reduction gears supported by ball bearings. Movement is transmitted to a rack-and-pinion mechanism to which, through a suitable joint, the valve stem is connected.

Internal electronic card with easily accessible terminals for electrical connections. Micro end-switches operated by a torque limit device. Manual knob in thermoplastic material, fitted on the front side.

**The actuator is maintenance-free.**



### TECHNICAL CHARACTERISTICS

Power supply	24 and 230 V ~ +/- 10%
Consumption	12 VA
Dimensioning	15 VA
Frequency	50...60 Hz
Stroke	
MVH26/46	0...45 mm
MVH36/56	10...45 mm
Stroke time	See available models
Thrust	
MVH	1500N
MVHA/C	700N
Working temperature	-15T 50 °C
Storage temperature	-25T 65 °C
Allowed room humidity	Class R according to DIN 40040
Terminal board	Screw-type for wires from 1,5 up to 2,5 mm <sup>2</sup> max
N. 2 conduit opening	Rubber-made punchable on hole D=20 mm, replaceable by PG 13,5 compression glands
Protection degree	IP 55 DIN 40050 (IEC 529) For highly polluted environments according to IEC 730-1(93)/6.5.3
Weight	3 Kg (4 Kg. with spring return)

### Control signal

Floating	2 SPST contacts
Proportional	
- potentiometric	165 ohm
- voltage d.c. max 0.1 mA	8..1V/4..7V/6..9V/0..10V/2..10V/1..5V/0..16V
- current (250 Ohm)	4..20 mA

### Output indication (for MVH36/56 only)

- voltage	0...10 V- (2 mA max) 10...0 V- (2 mA max)
- current	0...200uA

The product complies with the following directives:

- EMC 2004/108/CE according to EN61326-1 standard (emission and immunity)
- LVD 2006/95/CE according to EN61010-1 standard

**POSSIBLE COMBINATIONS AND CONNECTIONS**

All actuators can be connected to any controller, providing that the relevant output signal complies with the requirements at "Technical Characteristics" paragraph. Install a protection device compliant to existing rules with a 125 mA intervention threshold and a minimum 3 mm contact opening on the power supply line. The device is not supplied with the product. The following accessories are available:

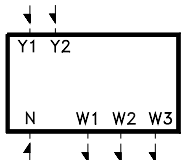
MODEL	DESCRIPTION
244	Stem heater for valves with AG62
248	Stem heater 24 V~, 50 W (for applications with fluid temperature <-10 °C)
AG50	Linkage kit for VMB16/VBG/VSG (16,5-25 mm stroke) valves
AG51	Linkage kit for VMB16/VBG/VSG (45-mm stroke) and SS/DS/3V/VSS/VBS/VMS/VBAA valves
AG62	Linkage kit for VMB and VSB valve assembly
DMVH	2 auxiliary microswitches (SPDT 10 (3)A-250 V~) adjustable on the whole stroke. Microdisconnection type 1B according to IEC 730-1(93)/6.4.3.2
MVHPA2	For MVH26: Electronic cards with one 1Kohm
MVHPA4	For MVH46: auxiliary potentiometer To state the max.resistance value among the potentiometer terminals, refer to the table below.

Stroke [mm]	Wheel colour	Aux. potentiometer max. value
16,5	grey	1000 Ohm
25	white	700 Ohm
45		1000 Ohm

MVHT Valve body-actuator spacer reducing the actuator direct exposure in case of installation with high-temperature fluids.  
Dimensions: Ø 120 mm; h = actuator height + 102mm

**TERMINAL BOARDS**

**MVH26 (230 Vac)**  
**MVH46 (24 Vac)**

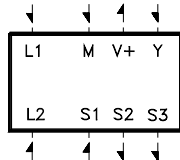


Power supply control | N-Y1 (\*\*)  
N-Y2 (\*\*\*)

(\*\*) Joint moves upwards  
(\*\*\*) Joint moves downwards

W1 Auxiliary potentiometer  
W2 Central MVH 26/46  
W3

**MVH36/56 (24 Vac)**  
**MVH36A/C (24 Vac)**



L1 Phase | 24V~ ±10% power supply  
L2 Neutral

M Common  
V+ +15 V Output  
Y Control signal (2) | (1)

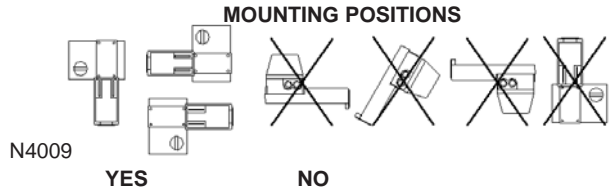
S1 Analogue common  
S2 0..10V or 0..200uA  
S3 10..0V or 200..0uA | (3)

- (1) For the model MVH36. Connect the central of the controller potentiometer (165 ohm) to terminal Y, one side to terminal M and the other one to terminal V+.
- (2) With jumper SW3 in A position and increasing control signal the joint moves upwards.
- (3) Connect the eventual indicator to the current input at terminals S3 (or S2) and S1 (max 2mA). Connect the indicator with voltage input to terminals S3 (or S2) and M (max 2mA). With joint up between M (S1) and S2 min. (between M (S1) and S3 max) voltage (current) value.

**INSTALLATION AND MOUNTING**

The actuator can be mounted in the positions shown below. It is advisable to equip the motorized valve with MVHT spacer, in order to reduce the actuator working temperature in case of fluids at high temperatures (approximately > 120 °C) in the valve body. For fluids over 160 °C avoid mounting the actuator in vertical position on the valve so as to avoid the direct exposure to heat sources.

Carry out the electrical connections by removing the cover, in compliance to existing standards. For valve mounting, follow the assembly instructions inside the package. If the equipment is used improperly, the protection provided by the device can be damaged.

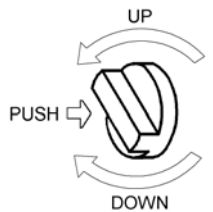


**Model with proportional signal (MVH56)**  
These actuators are factory supplied with 0...10 V- control signal. To select different ranges, the jumper on SW1 should be moved from the position set to the one desired (see figure on the right). For 4...20 mA range, it is necessary to position on SW2 both the SW1 jumper and the jumper set in DIP position. In order to select the rotation direction, move the SW3 jumper from A to C position.

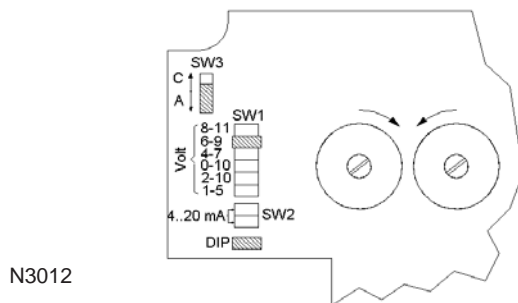
**Model with electronic card for proportional-potentiometric signal (MVH36)**  
To reverse the rotation direction, exchange the connections at M and V+ terminals.

**MANUAL CONTROL OPERATION**

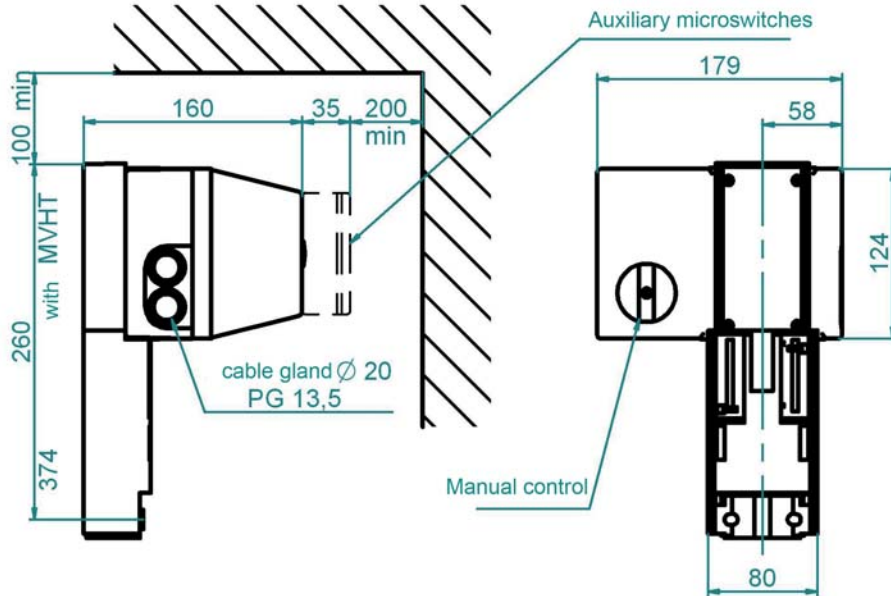
The manual control can be activated only after disconnecting power supply. To use the manual control, it is necessary to push and hold down the knob; turn clockwise to move the valve stem downwards and counter clockwise to move it upwards (see right). Be careful not to force the manual control when the actuator stroke end is reached.



**ELECTRONIC CARD**



OVERALL DIMENSIONS (mm)



The performances stated in this sheet can be modified without any prior notice due to design improvements

1st Issue	01/12	3	DBL328e
-----------	-------	---	---------



Automatic control systems for:  
air conditioning/heating/industrial thermal process.

ISO 9001