

HOUR METERS

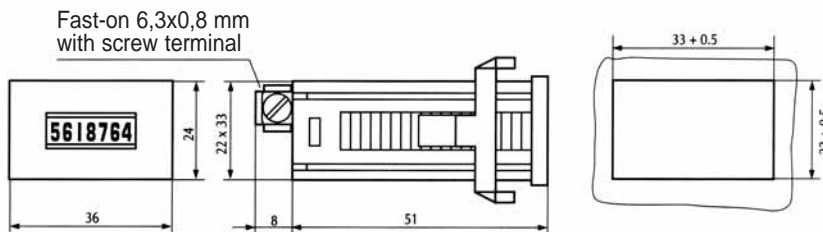


GENERAL NOTES

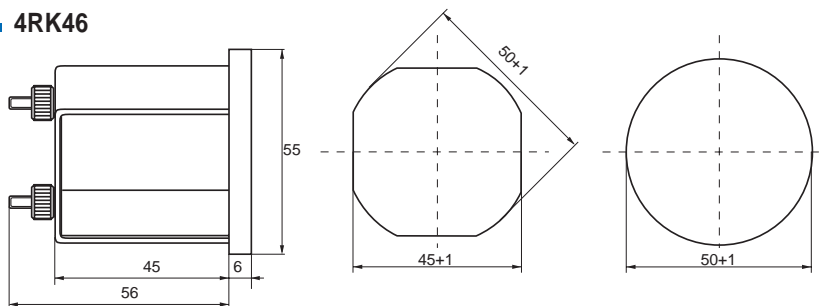
- The hour meters are instruments for measuring time which are particularly suitable for:
 - determining the functioning time of electrical machines, elevators, boilers, electrical stoves etc.
 - determining the intervention time for changing the oil, replacing ball bearings etc. on machinery that is in constant use.
 - determining the functioning time of new machinery with the purpose of establishing when the guarantee expires, such as current rectifiers, valves, lamps etc.
 - determining the sum of the periods during fatigue tests, the duration of electrochemical processes etc.
- In the AC version the instrument is driven by a synchronous motor. The display is composed of 5 entire and 2 decimals (4 mm height)
- In the DC version the movement of the motor is adjusted by a quartz crystal with great stability and a frequency such that, at every 22 degrees of oscillation, an impulse is released when amplified, activates electromagnetic converter. The display is composed by 6 entire and 1 decimal (4 mm height)
- At the end of the counter, the counting begins again automatically from zero. It is not possible to reset the device.
- The necessary voltage is 1,2...1,6V.
- The precision is obtained by means of a variable condenser with a tolerance of $\pm 0,2$ sec/day at room temperature.
- Operating temperature: between -10°C and $+55^{\circ}\text{C}$.
- Mounting position is indifferent and the housing is in black plastic material.
- The reading class is 1/100 h (36 sec)
- These hourmeters are manufactured following the UL, IEC, TGL21-366, DIN Standards

DIMENSIONS in mm

4RK30



4RK46



TECHNICAL CHARACTERISTICS

	ALTERNATING CURRENT		DIRECT CURRENT	
	4RH-4RK46	4RK30	4RH-4RK46	4RK30
BURDEN	1,5VA	1 VA	from 0,07 to 2W	from 0,04 to 0,2W
POWER SUPPLY to specify when ordering	24 - 48 - 60 - 110 - 230VAC (+10% / -15%) 380VAC (± 5%)		10...80 V	6...12 V / 12...36V 36...80V / 110V (±10%)
OPERATING FREQUENCY	to specify when ordering: 50Hz or 60Hz			
DISPLAY	99999,99 h (5 entires + 2 decimals)		999999,9 h (6 entires + 1 decimals)	
PROTECTION DEGREE	4RK46 = IP54 4RH72 / 4RH96 = IP52	IP40	4RK46 = IP54 4RH72 / 4RH96 = IP52	IP40
Using the AM72 jig with the hourmeter type 4RK46, this device change the external dimensions into 72x72 mm				
EXAMPLES WHEN ORDERING	4RK46 230V/50Hz hourmeter 230V, frequency 50Hz 4RH72 110V/60Hz hourmeter 110V, frequency 60Hz 4RH96 380V/50Hz hourmeter 380V, frequency 50Hz 4RK30 380V/50Hz hourmeter 380V, frequency 50Hz			
WEIGHT (kg)	4RK46 (0,09)	4RH72 (0,18)	4RH96 (0,20)	4RK30 (0,05)
For connection diagram see page 164				

ADAPTER JIGS FOR 4RK30

