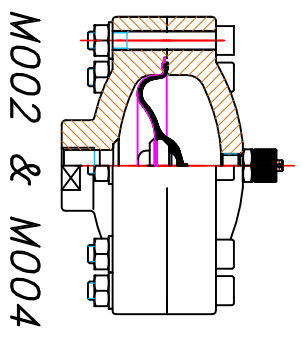


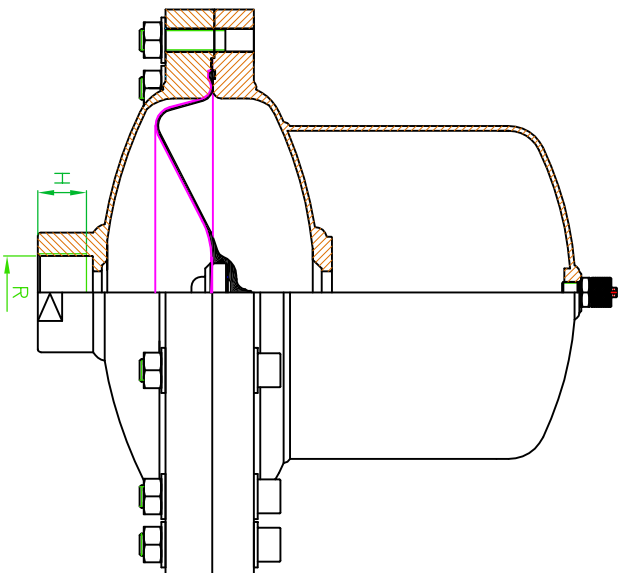
FOR HIGHER PRESSURES, SIZES, MATERIALS AND THREAD CONNECTIONS, PLEASE CONSULT

ORDER EXAMPLE: M030 A03 D 1 A1

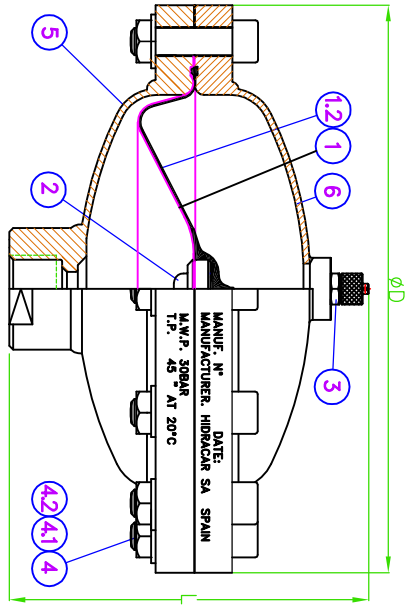
- A02≡20bar
 - A03≡30bar
 - A04≡40bar
 - A05≡50bar
 - A10≡100bar
 - A20≡200bar
- Capacity: 2,8 litres
- D=TFM1705+FKM Double Membrane
- 1-1/2" Standard Connection
- Body & insert material: AISI 316L



M002 & M004



M040 & M100



M008 to M030 & M060

Wall thickness acc. to AD-2000 code

Value of "K": $\frac{\text{Maxi. Pressure}}{\text{Filling gas Pressure}} \leq 2$ (@Constant Temp.)

⊕ In these models the value of "K" ≤ 1.5 (@ Constant Temp.)

PULSATION DAMPER MODEL	VOLUME (litres)	DESIGN PRESSURE (bar-g)	D (mm)	L (mm)	R (BSP)	H (mm)	WEIGHT (Kg)
M002	0.2	200	140	100	1/2"	14	5.2
M004	0.4	100	164	122		16	9.2
M008	0.8	50	180	150	3/4"	20	3.0
M012	1.2	40	224	160			7.5
M030	2.8			180			15.5
M040	4.0	30	289	275	1-1/2"		17.0
M060	5.6			233		30	24.5
M100	10.0	20	340	398	2"		26.0

TEMPERATURES RANGE
-20° to +200°C

Working Temperatures versus Working Pressures

For a temperature of 100°C	correspond design pressure	x 0.82
"	"	x 0.75
"	"	x 0.68

TOLERANCES:
External dimensions:±3%
Volume:±2.5% Weight:±5%

Those Pulsation Dampeners ought to be filled with gas at a value of 0.80x the pressure to stabilize and that at the working temperature

NOTE: The precharge with gas or air must be done slowly and with our charging tool Ref. BV160A1TM

HIDRACAR SA
08295 S.VTE. CASTELLETT
(BARCELONA) SPAIN
TEL.34.93.8330252 FAX.34.93.8331950

Customer Title
S.S.PULSATION DAMPER DOUBLE MEMBRANE

Customer Ref.
Replaced Drg.N° AM.AI.BP.IN.DOC (Rev.20)
Drg.No AM.AI.BP.IN.DOC.
Drawn E.Ponsa
Rev. 21
Approved M.Carcaré
Date Dec-15
Scale none