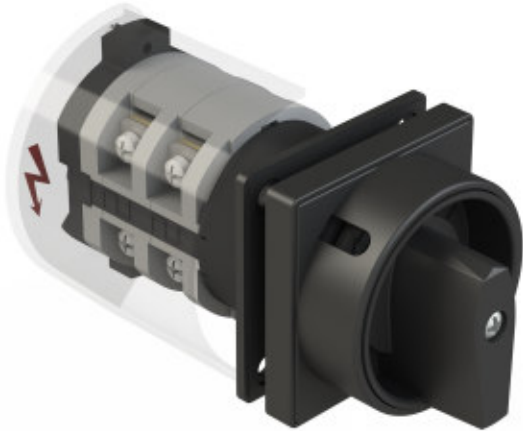


SWITCHES WITH 60° SWITCHING
GN20H-07-U23

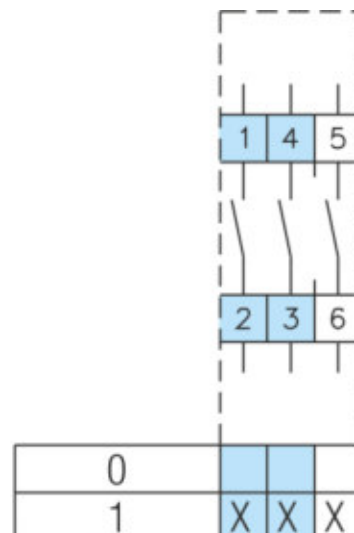
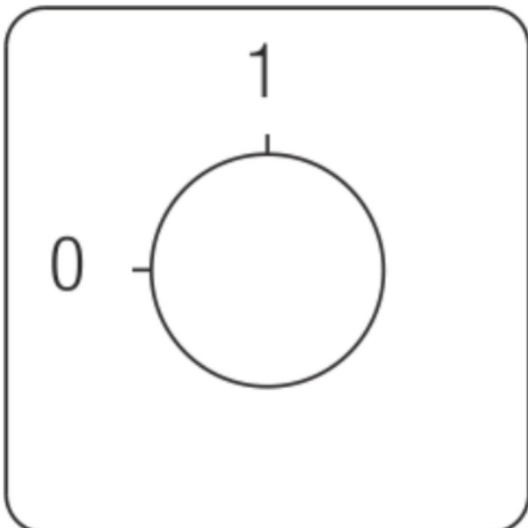


Rated insulation voltage:	Ui 690V
Rated thermal current:	Ith 20A
Rated operational current - AC1/AC21:	Ie 20A
Rated operational current:	110V - 10A 220/230V - 8A 380/400V - 6A 660/690V - 1,5A
Standards:	IEC 60947-1, 3 DIN EN 61058 UL 508 C22.2 No.14

Switching diagram

Switching diagram code: 07

SWITCHES WITH 90° SWITCHING



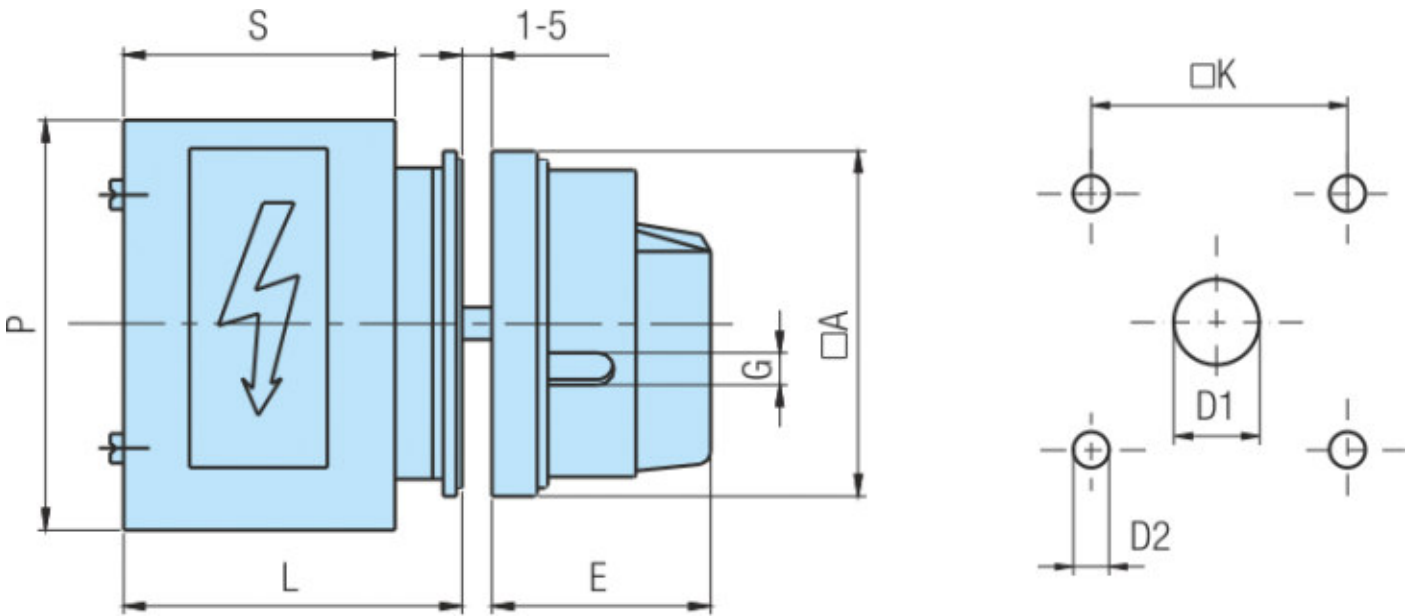
Dimensions

Code for product accessories: 23

Number of elements: 2

MAIN SWITCH

A	D1	D2	E	G	□K	S	P
65x65	12	5.0	38.0	6	48	43.0	64.0



SWITCHES WITH 60° SWITCHING (GN20H-07-U23)

Rated insulation voltage:	Ui 690V
Rated thermal current:	I _{th} 20A
Main switch - Max. value of rated operational voltage:	480V
Main switch - Rated impulse withstand voltage:	4kV
Max. fuse size for short circuit protection:	In 20A/10kA In 16A/25kA
Rated short-time withstand current:	I _{cw} 250A/1sec I _{cw} 150A/ 3sec I _{cw} 80A/10sec I _{cw} 50A/30sec I _{cw} 40A/60sec
Rated operational current - AC1/AC21:	I _e 20A
Rated operational current:	110V - 10A 220/230V - 8A 380/400V - 6A 660/690V - 1,5A
Motor switch (AC3, 3 phase):	220/230V - 3kW 380-440V - 5,5kW 500-690V - 5,5kW
Motor switch (AC3, 1 phase, 2 pole):	110V - 0,8kW 220/230V - 2,2kW 380/440V - 3kW
Motor switch (AC23A, 3 phase):	220/230V - 5kW 380-440V - 7,5kW 500-690V - 7,5kW
Motor switch (AC23A, 1 phase, 2 pole):	110V - 0,8kW 220/230V - 2,5kW 380/440V - 3,7kW
Motor switch (DOL, 3 phase):	120V - 1,5HP 240V - 3HP
DC Switching capacity (DC21A, T=1 ms):	48V - 20A 60V - 20A 110V - 4A 220V - 0,6A 440V - 0,25A
DC Switching capacity (DC23, T=15 ms):	24V - 20A(1) 48V - 20A(2) 60V - 20A(3) 110V - 10A(3) 220V - 8A(4)
DC Switching capacity (DC13, T=50 ms):	48V - 16A 60V - 12A 110V - 1A 220V - 0,4A 440V - 0,15A
Mechanical durability (Switching cycles):	5x10 ⁶

Terminal screw:	M3
Terminal tightening torque (IEC):	0,5Nm
Conductor size (rigid/flexible):	max. 2x2,5/2x2,5mm ² min. 2x0,5/2x0,5mm ²