

DRG. No. C.30806.		SWITCH. VCF9/2319-UL.	
SHEET 1 OF 1 SHEET			
DRAWN T.E.	DATE 5.1.82	APPROVED	
TRACED A.C.	SCALE 3/1	DRAWING OFFICE. D.O.H.	SALES DEPT. A.D.

### SPECIFICATION.

ACTUATING FORCE :- 5.0N (18 OZF) MAX.

RELEASE FORCE :- 1.7N (6 OZF) MIN.

FREE POSITION :- 15.9 (±0.63) MAX.

OPERATING POSITION :- 14.7 (±0.5) (±0.5) (±0.5) (±0.5) (±0.5) (±0.5)

MOVEMENT DIFFERENTIAL :- 0.4 (±0.16) MAX.

OVER TRAVEL :- DEPRESS TO CASE (AVAILABLE)

SPECIAL FEATURE:-

COVERPLATE AND CASE, MOULDED IN FLAME RETARDANT GLASS LOADED NYLON.

PARALLEL TERMINALS.

TESTED AND STAMPED TO UL AND C.S.A. REQUIREMENTS.

APPROVALS RATING:-

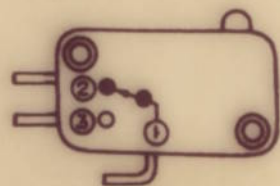
15 AMP - 250 V.A.C.

1/3 HP - 125 OR 250 V.A.C.

### DIAGRAM OF CONNECTIONS.

STAMPED

NORMALLY CLOSED  
NORMALLY OPEN



COMMON

BURGESS MICRO SWITCH COMPANY LTD.

DUKES WAY, TEAM VALLEY,

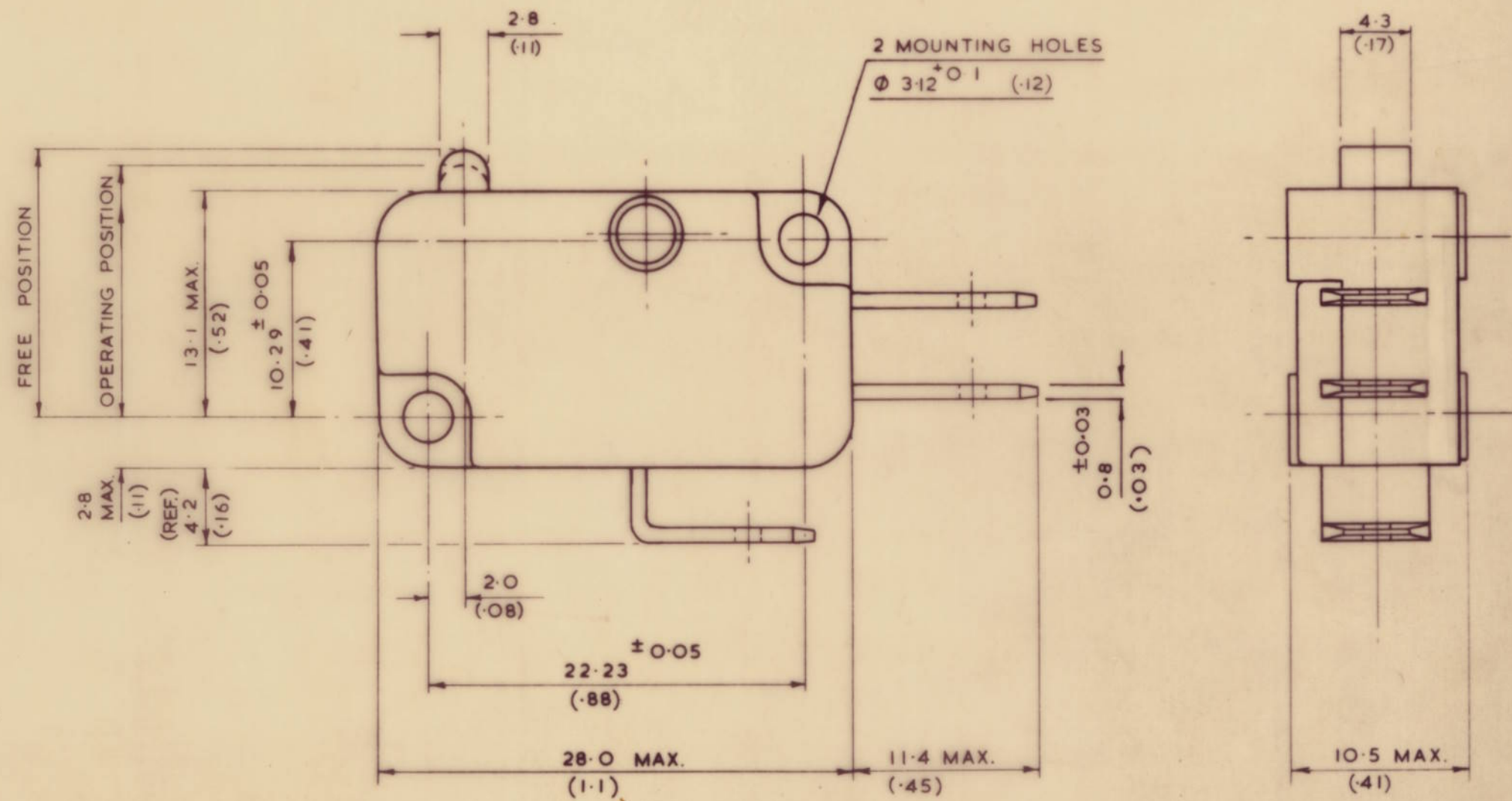
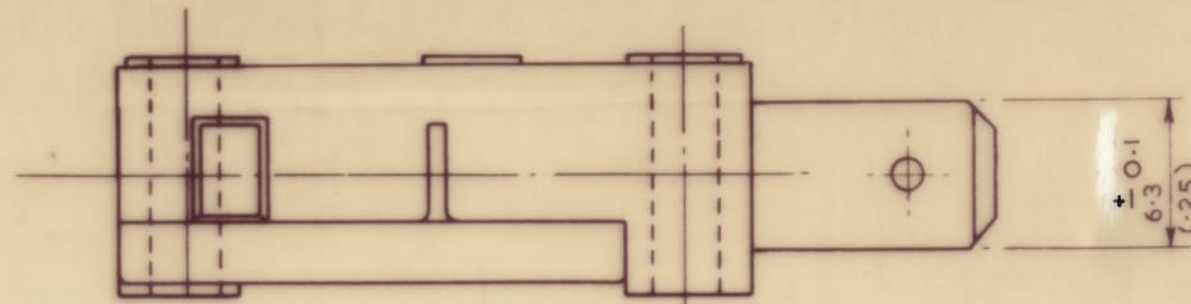
GATESHEAD 11, ENGLAND.

TELEPHONE LOW FELL (0632) 877171.

THIRD ANGLE PROJECTION.

# INSTALLATION DRAWING

DO NOT SCALE.



ISSUE No. & DATE	MICRO FILM
1 5.1.84	
2 17.2.99	

ALL DIMENSIONS SPECIFIED IN MILLIMETRES  
TOLERANCES UNLESS STATED:-  
NO DECIMAL PLACES ± 0.5 1 DECIMAL PLACE ± 0.25  
2 DECIMAL PLACES ± 0.15 ANGULAR ± 1°  
INCH-OUNCE UNITS (IN BRACKETS)

SWITCH VCF9/2319-UL.	DRG. No. C.30806.
SHEET 1 OF 1 SHEET	