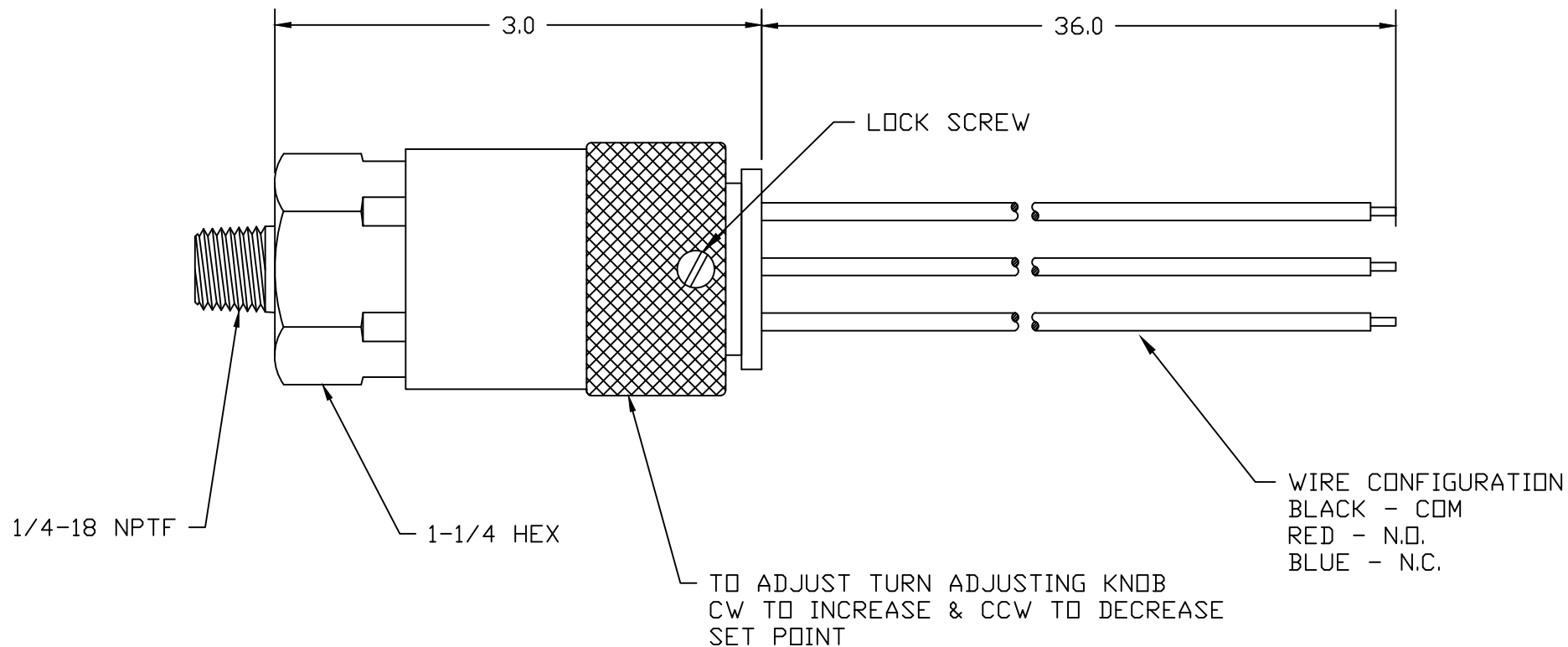


DRAWING NUMBER
CD-1C4-200G/6WL378

REV	DATE	DESCRIPTION	BY



CIRCUIT: SPDT- (SINGLE POLE DOUBLE THROW)
 TERMINATION: (3) 18 AWG WIRE LEADS 36 INCHES COMPLETE.
 RATING: 5 AMP

OPERATION: CIRCUIT TO TRANSFER AT 200 ±10 PSI
 FALLING PRESSURE.

ADJUSTING RANGE: 100 TO 400 PSI.
 MAX OPERATING PRESSURE: 5000 PSI.

MATERIALS:
 BASE- BRASS
 HOUSING- ALUMINUM
 SEALED MATERIAL- BUNA N

NASON P.O. BOX 505 WEST UNION, SC 29696		
CUSTOMER CLARK SOLUTION	DATE 10/5/20	DRAWN BY J.D.C.
REFERENCE AREA	SCALE 1 : 1	APPROVED BY
TITLE PRESSURE SWITCH MODEL/CD	CHANGE ON CAD ONLY.	
	DRAWING NUMBER CD-1C4-200G/6WL378	