

TEDEA - HUNTLEIGH Model 355

Bending Beam Load Cell



- Capacities: 5 - 500 kg (11.02 - 1102.29 lbs)
- Complete stainless steel construction
- Industry standard size and shape
- Hostile environment capability
- OIML R60 and NTEP approved
- Hermetically sealed to IP67
- 6 Wire (sense) circuit

Model 355 is a welded bending beam load cell manufactured in stainless steel. Hermetically sealed against moisture the model 355 construction and polyurethane shielded cable enables the load cell to function in harsh environments while maintaining its operating specifications.

The low profile, high accuracy and sealing makes this load cell highly suitable for applications such as low profile platforms, weighing and packaging machines, conversions of mechanical scales and a variety of other applications where sealed cells are required.

The two additional sense wires feed back the voltage reaching the load cell. Complete compensation of change in the lead resistance due to temperature change and/or cable extension is achieved by feeding this voltage into the appropriate electronics.

info@tedea-huntleigh.com www.tedea-huntleigh.com

7800 Deering Avenue • P.O. Box 7964 • Canoga Park, CA 91309-7964 USA • Tel: 800.626.2616 • Fax: 818.340.1175
LOS ANGELES, USA DARMSTADT-ÉBERSTANDT, GERMANY BEIJING, CHINA CARDIFF, UK NETANYA, ISRAEL KARMIEL, ISRAEL CHARTRES, FRANCE

TEDEA **th**
HUNTLEIGH
EXCELLENCE IN LOAD CELLS

355 SPECIFICATIONS

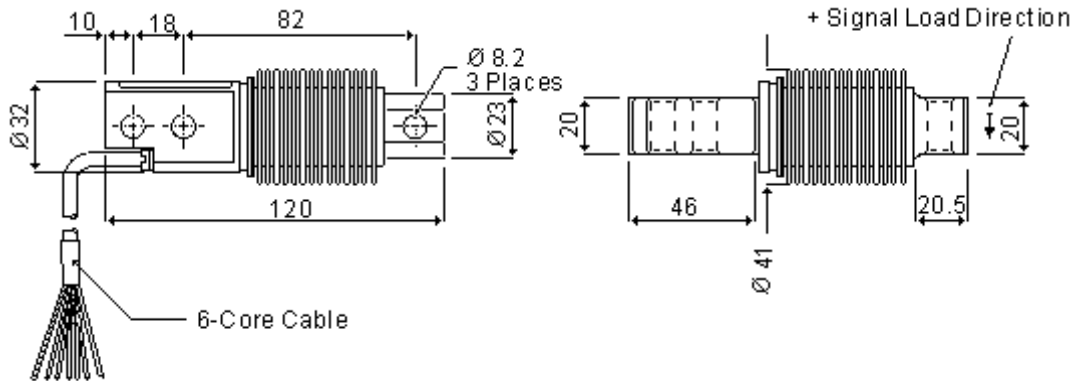
GRADE	Z	E	C2/15	C3	C4	UNITS
Rated Capacities	**5, 10, 20, 50, 100, 200, 250, 500					kg
Rated Output	2.2 ± 10%					mVV
Total Error	0.070	0.050	0.030	0.020	0.015	±% of Rated Output
Creep at Rated Capacity	2.0 ± 0.1%					
Zero Return after 30 mins	0.065	0.050	0.025	0.017	0.012	±% of Applied Load
Zero Balance	5	3	2	2	2	±% of Rated Output
Temperature Range : Operating	-30 °C to +80 °C					°C
: Compensated	-10 °C to +40 °C					°C
Temperature Effect : On Output	0.007	0.004	0.0012	0.0010	0.0007	% of Applied Load / °C
: On Zero	0.015	0.007	0.0010	0.0014	0.0010	% of Applied Load / °C
Safe Overload	150					% of Rated Capacity
Ultimate Overload	300					% of Rated Capacity
Excitation : Recommended	10					Volts AC or DC
: Maximum	15					
Input Impedance	380 ± 10					Ohms
Output Impedance	350 ± 3					Ohms
Insulation Impedance	> 1000					Mega Ohms
Deflection at Rated Capacity	< 0.4					mm
Weight	0.35					kg
Construction	Stainless Steel					
Environmental Protection	IP67					
Cable	3 Meters (Standard), 6 Wire Polyurethane Jacket Dual Screen (Not Connected to Load Cell Body)					
Approvals	OIML R60, NTEP					

* Total Error - According to OIML R60

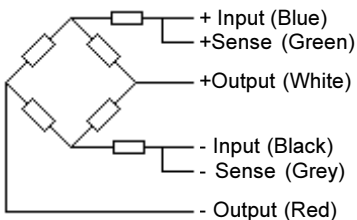
Grades C1 and C2 are available on request.

** For 5 & 10kg accuracies above Z & E consult factory.

Dimensions For All Capacities (in mm)



Wiring Schematic Diagram



BALANCED TEMPERATURE COMPENSATION

Also Available from Tedeo-Huntleigh

A conversion kit can be provided that converts the model 355 to an 'S' type load cell. Other accessories include *Cellmates* for vessel weighing, *Shock Mounts* to minimize vibration and *Ball-in-cup* providing a flexible pivot.

For further details please contact Tedeo-Huntleigh or your local distributor.



Due to Tedeo-Huntleigh's policy of continuous development, these specifications are subject to change without notice.

info@tedea-huntleigh.com www.tedeo-huntleigh.com

DS355-4, 11.96

7800 Deering Avenue • P.O. Box 7964 • Canoga Park, CA 91309-7964 USA • Tel: 800.626.2616 • Fax: 818.340.1175
 LOS ANGELES, USA DARMSTADT-EBERSTADT, GERMANY BEIJING, CHINA CARDIFF, UK NETANYA, ISRAEL KARMIEL, ISRAEL CHARTRES, FRANCE