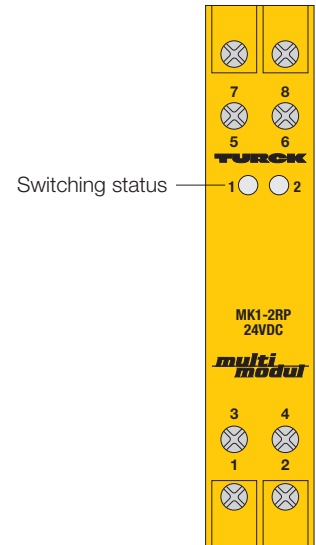
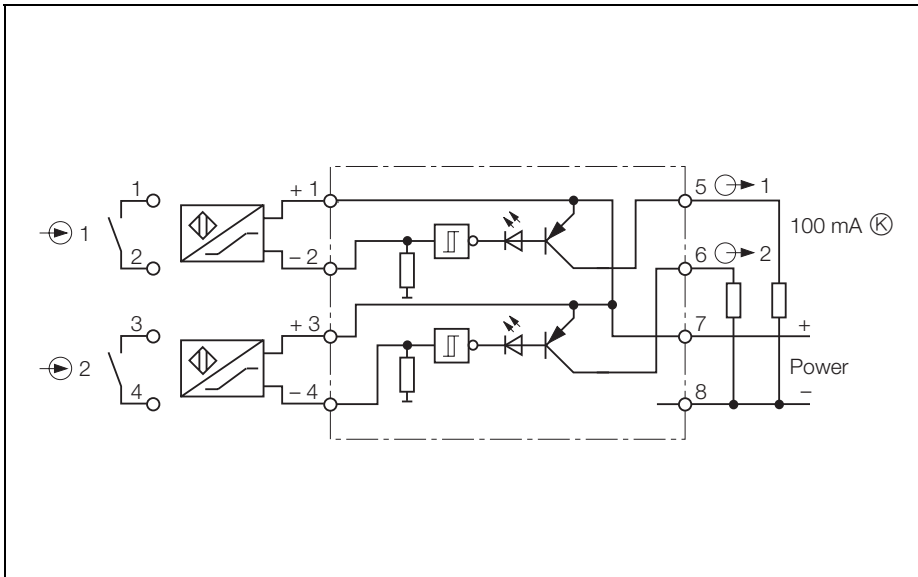


# Isolating switching amplifier 2-channel MK1-2RP/24VDC



The 2-channel isolating switching amplifier MK1-2RP/24VDC is equipped with an intrinsically safe input circuit.

Sensors according to EN 60947-5-6 (NAMUR) can be connected to the device or potential free contactors.

The coupler features short-circuit protected,

pnp transistor outputs.

The switching state of the coupler is explained in the function truth table below.

The yellow LED indicates the switching status.

- Signal flow direction normally closed (N.C.) mode
- Short-circuit protected pnp transistor outputs

# Isolating switching amplifier

## 2-channel

### MK1-2RP/24VDC



<b>Type</b>	MK1-2RP/24VDC
Ident-No.	7505501
<b>Nominal voltage</b>	24 VDC
Operational voltage range:	19 ... 29 VDC
Power consumption	≤ 0.5 W
<b>NAMUR</b>	EN-60947-5-6
No-load voltage	8 VDC
Short-circuit current	5 mA
Input resistance	1 kΩ
Output resistance	≤ 50 Ω
Switch-on threshold:	1.55 mA
Switch-off threshold:	1.75 mA
<b>Voltage drop</b>	≤ 2.5 V
Semiconductor output circuit(s)	
Output circuits (digital)	2 x transistors (pnp, short-circuit proof)
Switching voltage	≤ 29 VDC
Switching current per output	≤ 100 mA
Switching frequency	≤ 1000 Hz
<b>Constant voltage supply</b>	250 V
<b>Indication</b>	placeholder
Switching status	yellow
<b>Mechanical Data</b>	
Degree of protection	IP20
Ambient temperature	-25 ... + 60 °C
Housing length	89 mm
Housing width	18 mm
Housing height	70 mm
Weight	70 g
Mounting instruction	Mounting on DIN rail or mounting panel
Housing material	polycarbonate/ABS
Electrical connection	4 x 2-pole flat terminals with self-lifting pressure plates
Terminal cross-section	1 x 2.5 mm <sup>2</sup> / 2 x 1.5 mm <sup>2</sup>

### Dimensions

