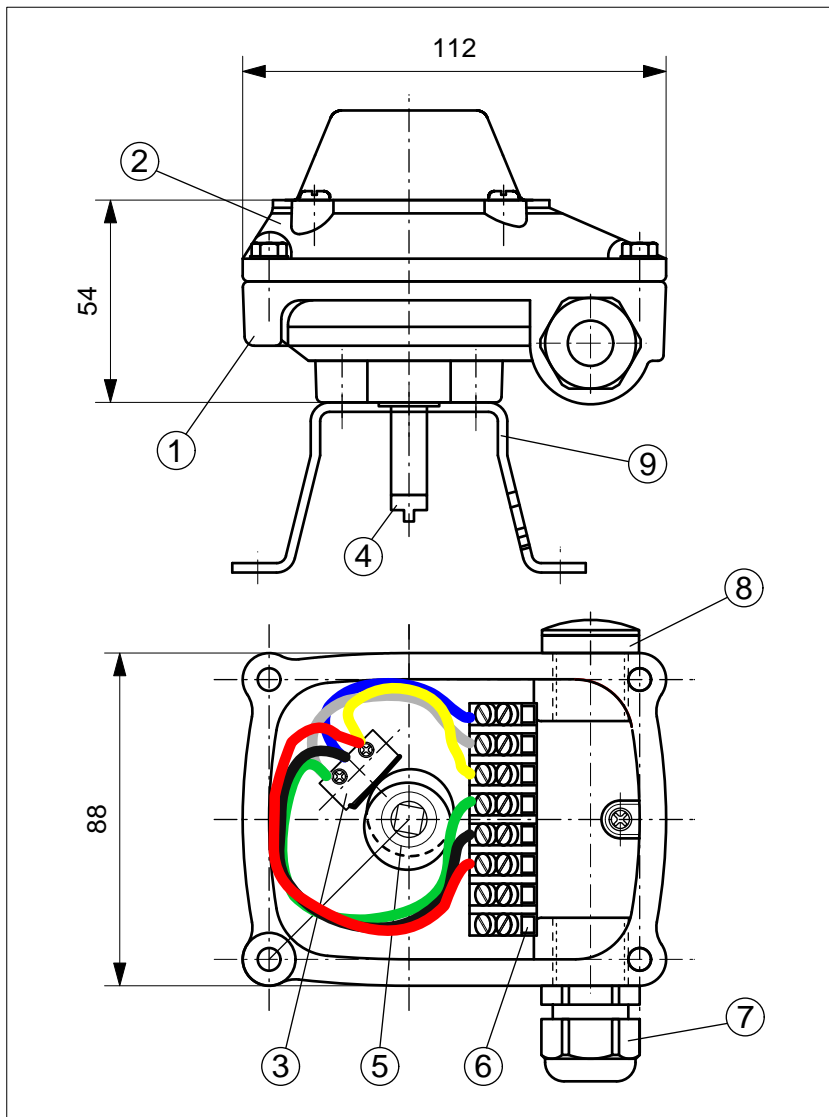




# LAMBDA-Module CZPASAZ

LAMBDA-Module with two micro switches in Aluminium-Housing  
112 x 88 x 38 mm with terminal block 8-pole, with visual indication



## TECHNICAL DATA

Type:	Micro switches
Switch power:	max. 5 A, 250 V AC
Temperature:	-25...+85°C
Housing:	Aluminium, coated Cover + Base grey with visual indication yellow/red
Ingress protection:	IP68 (Housing)
Switch. precision:	< 1°
System connection:	Cable gland M20x1.5, black
Solenoid connect.:	Connection bore M20x1.5
Clamps:	Screw clamps for junction up to 2,5 mm <sup>2</sup>

## Advantages

- europ. CE-certificate
- enhanced lacquering and chromating
- Quality micro switches from honeywell
- Certified density IP 68  
(certificate existing)
- wire cross section and clamping according  
to europ. standards
- RoHS conform
- cable gland, O-Ring and  
blind plug incl.

## OBJECT LIST

Pos.	Pcs.	Description	Material
1	1	Housing base	Aluminium
2	1	Housing cover	Aluminium
3	2	Micro switch	
4	1	Operating shaft	
5	1	Switch cam system	
6	1	Terminal block, 8-pole	
7	1	Cable gland M20x1,5	
8	1	Blind plug M20x1,5	
9	1	Bracket size 1-4	A2

## WIRING DIAGRAM

