



Diameter: 350 mm

R11_-35KP_-4M-3808

Fan with wall plate

Airflow

Direction

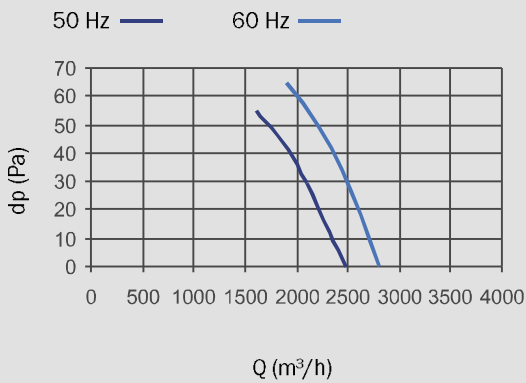
- »S«
- »B«

Type:

- R11P-35KPA-4M-3808
- R11P-35KPP-4M-3808

Available on request

Aerodynamic characteristic:



Performance Data:

- 1~230V 50/60Hz
- $P_1 = 88 / 125W$
- $n = 1380 / 1560min^{-1}$
- $I = 0,39 / 0,56A$
- $t_R = 55^{\circ}C$
- $L_{wa} = 65 / 69dB(A)$
- $C = 4\mu F / 450V$
- Connection: terminal box
- Ins.Cl. F
- IP54

Notes:

Fan characteristic measured in short bell mouth with guard grill

Fan with guard grill

Airflow

Direction

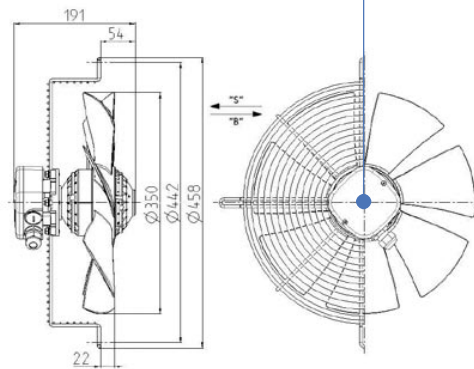
- »S«
- »B«

Type:

- R11R-35KPA-4M-3808
- R11R-35KPP-4M-3808

Code:

0311-4-0243



Weight:
5,5 kg

Fan without guard grill

Airflow

Direction

- »S«
- »B«

Type:

- R11E-35KPA-4M-3808
- R11E-35KPP-4M-3808

Available on request