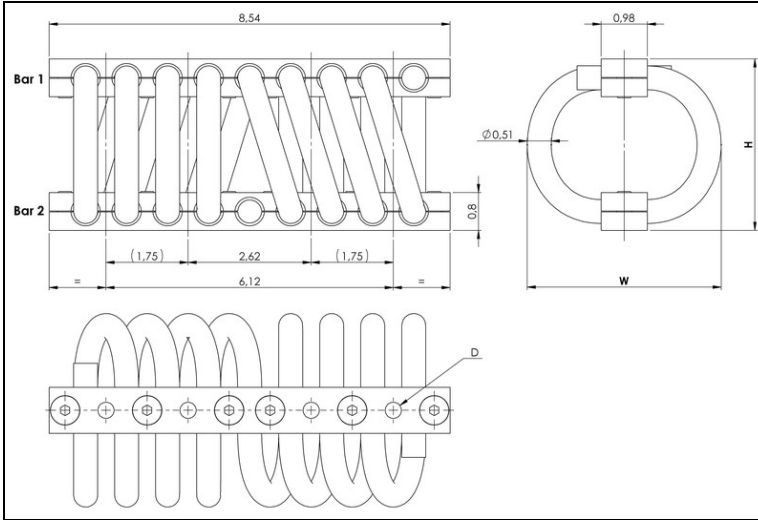


# WIRE ROPE ISOLATORS: 'HELICAL'

DEFINITION  
**series CB1400**



- All metal multidirectional anti-vibration/shock mounts
- Exceptional reliability and long life
- High damping
- No aging
- Corrosion resistant
- Unequalled temperature range : -180°C to +300°C / -290F to 570 F
- Great adaptability/versatility

Specials on request

(material size and number of loops, etc.)

*Dimensions are in inches. For reference only*

SERIES
Materials and finishes (meets RoHS requirements)
<b>CB1400</b>
<b>Cable:</b> stainless steel (galvanized available)
<b>Retainer bars:</b> aluminium alloy/ SurTec
<b>Screws:</b> alloy steel/ zinc plate
<b>Inserts:</b> stainless steel
Other materials on request

MODEL			
	height h (in)	width w (in)	weight (lbs)
-10	3,0	3,3	3,5
-12	3,0	3,6	3,5
-15	3,3	4,0	3,9
-17	3,5	4,1	4,1
-20	3,7	4,8	4,5
-30	4,3	5,2	5,0
-40	4,9	5,6	5,5
-50	5,4	6,1	6,0
-60	6,1	7,1	6,8
-70	6,5	7,3	7,1
-80	6,9	8,3	7,7

INTERFACES			
fixtures holes D	Bar 1		
	Ø 0.33 in through holes	Ø 0.33 in through holes counter-sunk 82°	1/4 - 28 inserts
Bar 2			
Ø 0.33 in through holes	no suffix	not standard	not standard
Ø 0.33 in through holes counter-sunk 82°	CM	CM2	not standard
1/4 - 28 inserts	IM	CIM	IM2

**C B 1 4 0 0 - 1 0 C I M**

**SERIE:** CB1400  
'Helical' mount from the CB1400 series

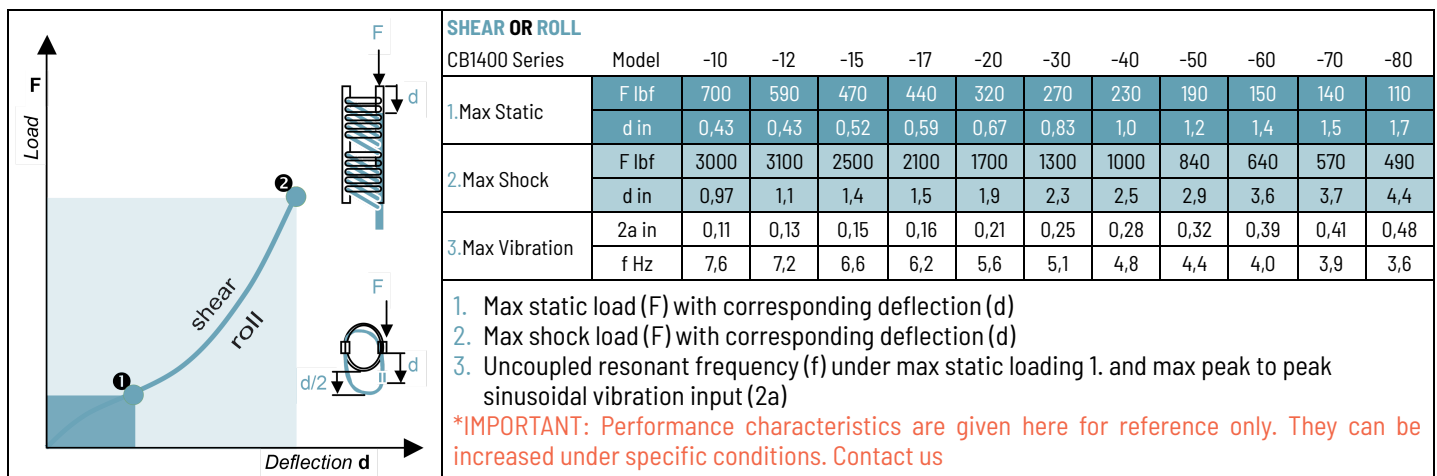
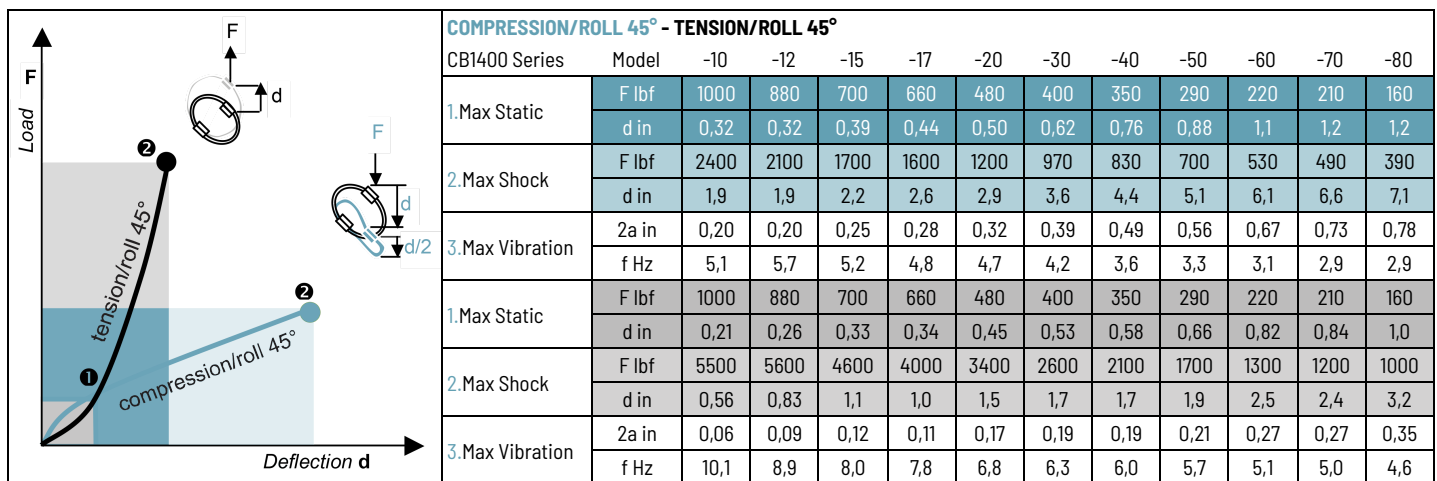
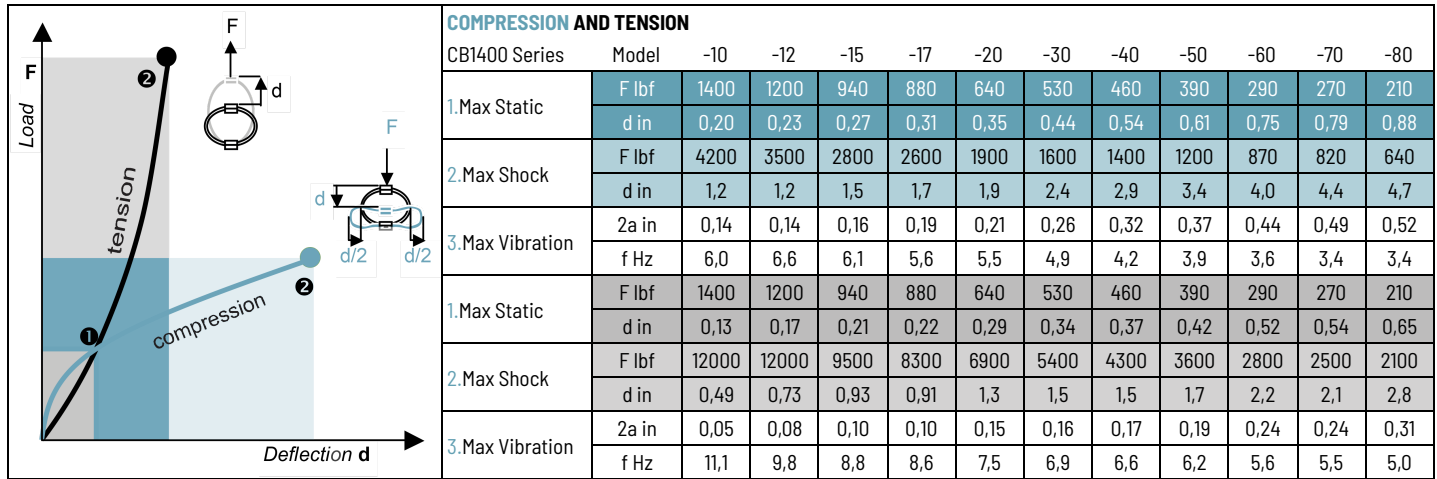
**MODEL:** -10  
height: 3,0in  
width: 3,3in  
weight: 3,5lbs  
loops: serie standard is 08 loops

**INTERFACE:** CIM  
Ø 0.33 in through holes counter-sunk 82° in bar 1,  
1/4 - 28 inserts in bar 2



# WIRE ROPE ISOLATORS: 'HELICAL'

## PERFORMANCE DATA series **CB1400**



### TYPICAL SHOCK/VIBRATION SPECIFICATIONS:

- Air AIR 7306, MIL-E-5400, MIL-C-172, MIL-STD-810
- Ground Forces GAM EG13A, SEFT 001, MIL-STD-810, VG 9533
- Marine GAM EG13C, IT25-21/96-31/15-86, MIL-S-167, MIL-S-901, STANAG 042, BV 043.73, BV 044

