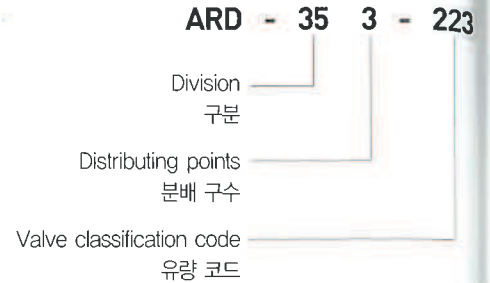
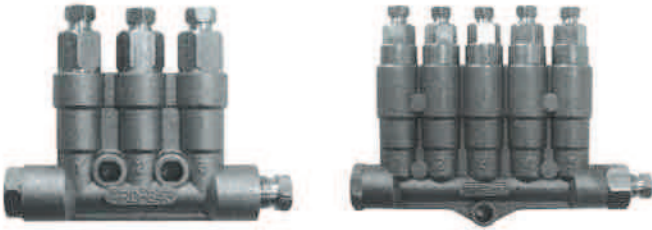


Oil Lubrication pumps

ARD - 340 / 350 Series



- ARD-340, 350 정량 밸브는 간헐식 급유 시스템에 사용하도록 제작된 밸브로서 피스톤 작동에 의하여 정량의 윤활유를 개량하여 급유할 수 있도록 설계된 정량급유 밸브이다.
- 유량의 오차 범위가 작아 정밀 윤활 시스템 구성에 적합하다.
- The ARD-340, 350 of measuring valve is made to use intermittent system, and can lubricate the oil by piston stroke.
- It is suitable to utilize precision lubricating system because of very tight allowance of oiling.

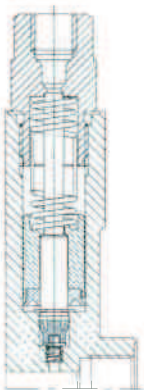
Type	Discharge Points 분배구수	Using pressure 사용압력 MPa	Bore of pipe		Net weight 중량 g	Valve Code No. 코드 번호	Discharge Volume 토출 유량 cc/st
			Central pipe 주배관	Branch pipe 지배관			
ARD-342	2	0.8-3.0	M10x1.0p	M8x1.0p	115	1	0.03
ARD-343	3	0.8-3.0	M10x1.0p	M8x1.0p	163	2	0.06
ARD-345	5	0.8-3.0	M10x1.0p	M8x1.0p	249	3	0.10
ARD-352	2	0.8-3.0	M10x1.0p	M8x1.0p	239	4	0.16
ARD-353	3	0.8-3.0	M10x1.0p	M8x1.0p	314	5	0.2
ARD-355	5	0.8-3.0	M10x1.0p	M8x1.0p	464	6	0.4
						7	0.6

Example to order 주문 예)

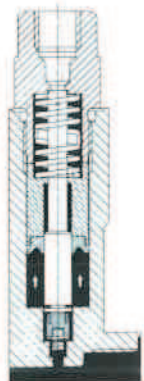
In ARD-340 type if discharge point is 5 and discharge volumes are, ARD-340 타입에서 우측 유량코드의 5구를 주문 하고자할 때,

	0.06	0.06	0.10	0.03	0.03
Order code	2	2	3	1	1
Order No.	ARD-345-22311				

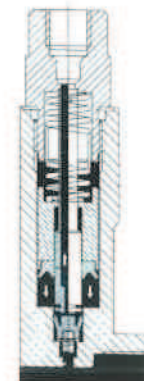
Operation Description 작동 구조



The oil allocated for the lubrication point is in front of the piston in distributor.



When the control lubrication pump begins feeding oil, the piston is moving, the oil in front is delivered by main line pressure(8-30bar) to the lubrication point.

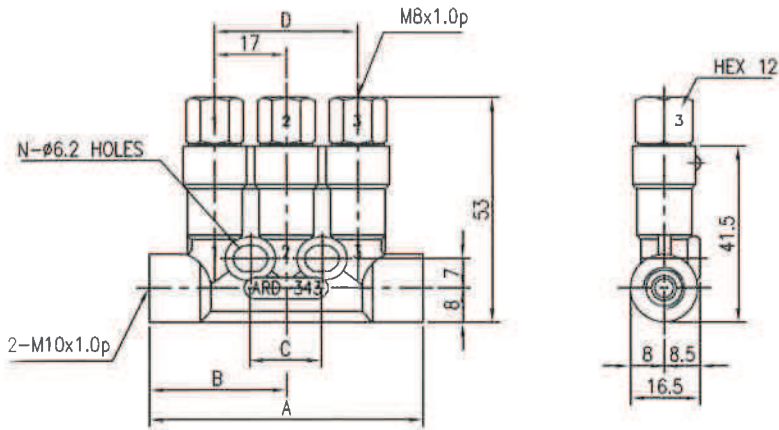


In release of main line pressure, the piston in the distributor returns to its initial position, allowing the oil to flow into the space in front of it.



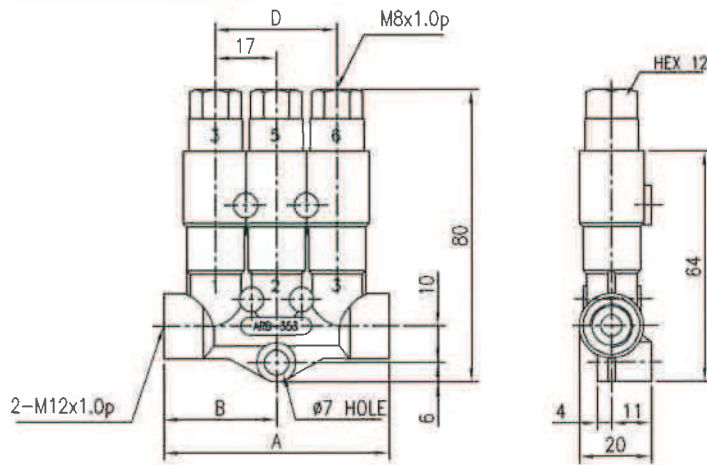
External dimension 외형도

ARD - 340 Series



Type	A	B	C	D	N
342	48	24	-	17	1
343	65	32.5	17	34	2
345	99	49.5	51	68	2

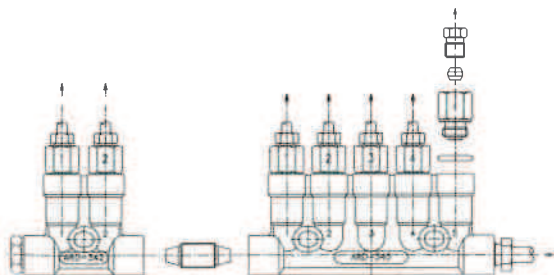
ARD - 350 Series



Type	A	B	D
352	45	22.5	17
353	62	31	34
355	95	47.5	68

Example for using Distributor connection 사용 예)

ARD - 340 Series



ARD - 350 Series

