

VLW90M

- 6 independent level measurements
- 2 open channel flow measurements
- 2 volume measurements
- 1 differential level measurement
- pumps control (raising) up to 5 immersed pumps
- 2 analog output 4÷20mA
- 5 fully configurable relay
- 2 open collector digital output
- 2 analog input 4÷20mA
- 2 digital input (max. 24Vdc 10mA)
- Datalogger via Pen Drive USB



VLW90M, a single unit suitable for different applications. Level measurements, difference between levels, open channel flow (hydraulic jump) and pumps control. Different measurement functions directly settable via the keyboard. VLW90M can be connected to ultrasonic sensors and/or to 4÷20mA level transmitters. VLW90M has been developed for the connection to 1 or 2 MODBUS sensors, but it can support up to 8 PTU, MTU, METER, MTU5 or KTU units if externally powered. A remarkable note is the data logger on removable pen-drive, which enables the total traceability of the measurements. It is particularly suitable for the analysis of the flow rate timing in open channel applications.

TECHNICAL FEATURES

Housing material

ABS

Mechanical installation

Wall, pipe or DIN rail mountin

Protection degree

IP66

Keyboard

5 push buttons

Display

320x240 matrix color LCD with backlight

Electrical connection

Internal connectors

Working temperature

-20 ÷ +60°C

Power supply

85÷230Vac; 24Vdc; 24Vac

Power consumption

Max. 10W

Analog output

n.2 configurable isolated 4÷20mA

Relays output

n.5 fully configurable relay (5A 250Vac)

Digital output

n.2 open collector (max. 24Vdc 50mA)

Analog input

n.2 4÷20mA

Digital input

n.2 (max. 24Vdc 10mA)

Digital communication

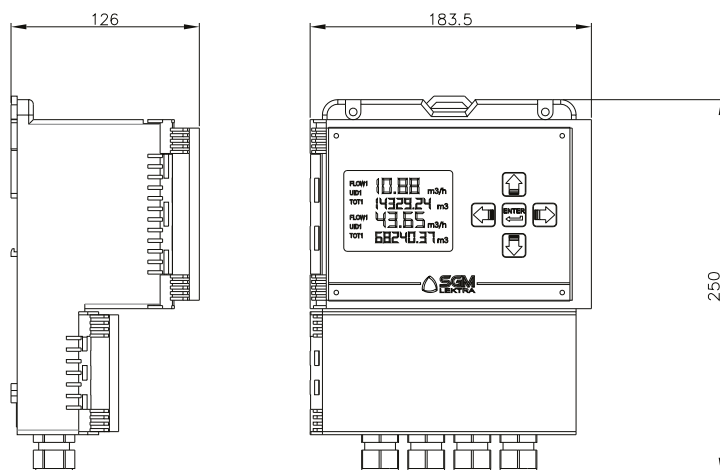
MODBUS RTU

Datalogger

on Pen Drive USB; max.32GB (FAT32)

Power supply for analog transmitters

24Vdc; 200mA max

**VLW90M****Level, open channels flow and pumps control unit**

Directly connectable to PTU5x, METER (4 wires), MTU5 and KTU5 ultrasonic sensors
 Matrix 320 x 240 backlit color LCD display
 USB port for pen drive connection (logger)
 Wall or DIN rail mounting
 5 calibrating push-buttons
 IP66 mechanical protection; temperature range : -20 ÷ +60°C

Version	
2	For connection up to Max. 8 PTU5x family sensors
3	Without brand
9	Special
Relay	
C	5 Relays with change over contact (SPDT)
Power supply	
1	85÷265Vac 50÷60Hz
4	24Vdc/24Vac
Output	
B	n.2 optoisolated 4÷20mA + n.2 optoisolated open collector
Field Bus	
1	MODBUS RTU
9	Special
Accessories	
A	None
U	8GB USB Pen Drive for datalogger