

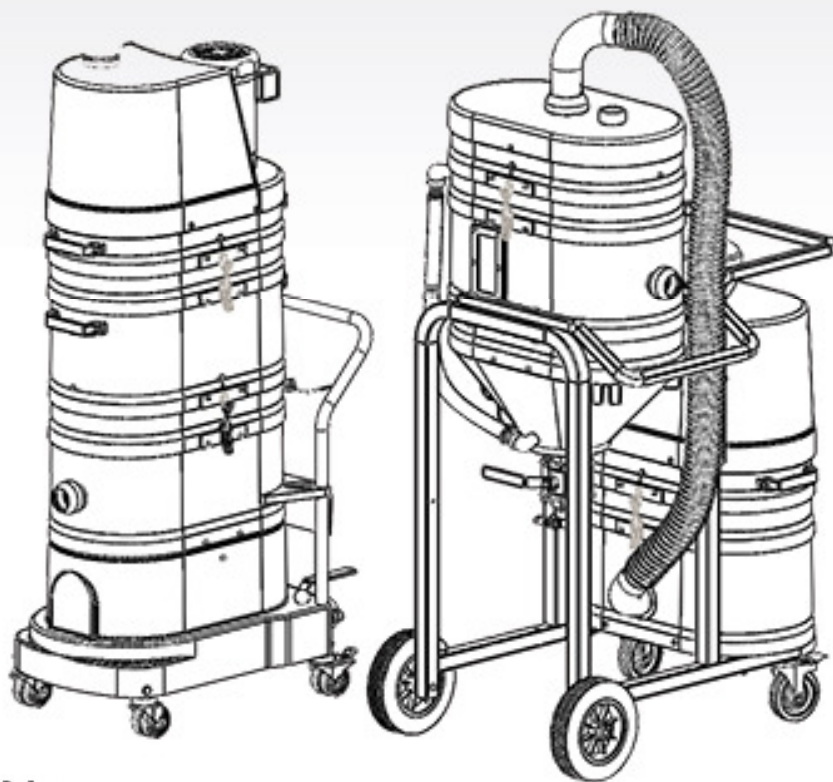
Model No.

Serial No.

Filter No.

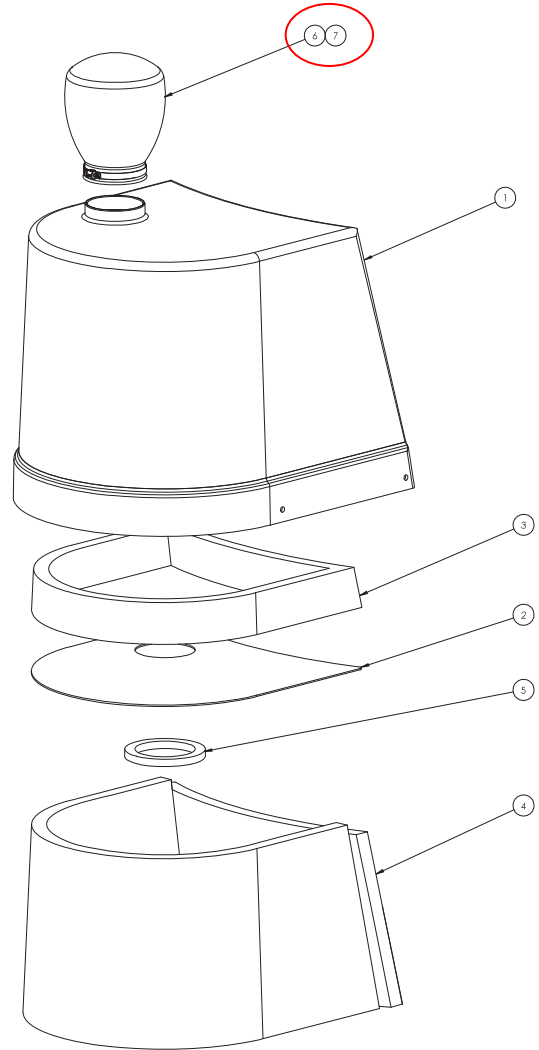
Start-Up Date

# IMMERSION SEPARATION VACUUMS



Version:2.5 (12/5/17)

REV	DESCRIPTION	DATE	NAME
E	E.C.O. #603	10/24/08	D.J.S.
F	E.C.O. #616	12/2/08	D.J.S.
G	E.C.O. #1250	7/26/16	DJE



ITEM NO.	PART NO.	DESCRIPTION	DRAWING NO.	QTY.
1	34976	Silencer Hood, Black, D1		1
2	32853R	DIFFUSER LID PLATE, D1		1
3	3286201	FOAM, SILENCER HOOD, .75 X 2.25 X .49		1
4	3286202	FOAM, SILENCER HOOD, .75 X 8 X .52.5		1
5	2509912	GASKET, 4" ODK 3" IDx 3/8" THICK		1
6	30058	AIR DIFFUSER BAG DSI LID		1
7	4019	HOSE CLAMP 2.31-3.25", SS		1

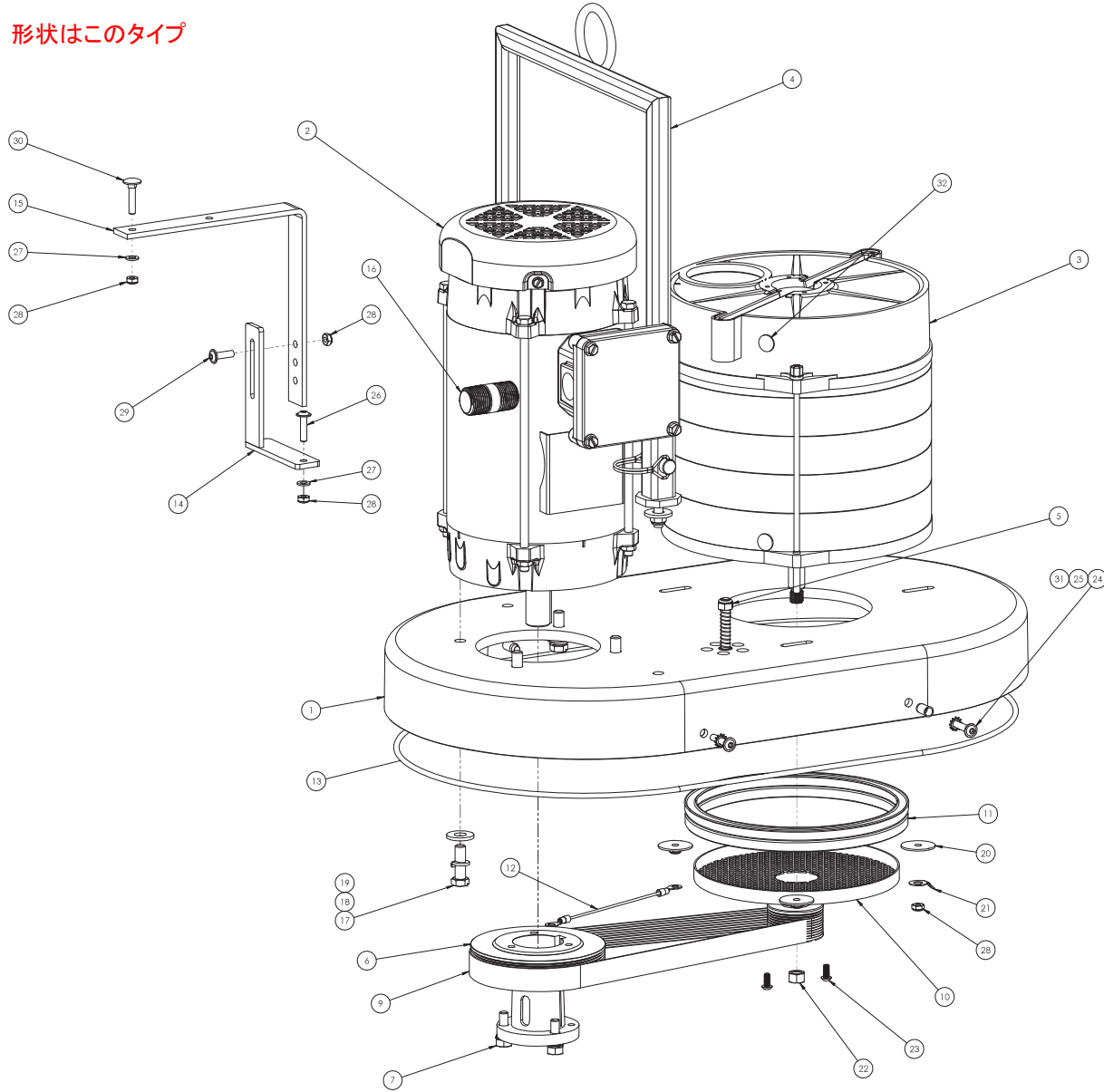
**PROFITABILITY AND COSTS**  
 ALL DIMENSIONS TO CENTER UNLESS SPECIFIED OTHERWISE.  
 DIMENSIONS TO DIMENSION LINES UNLESS OTHERWISE SPECIFIED.  
 DIMENSIONS TO DIMENSION LINES UNLESS OTHERWISE SPECIFIED.

DESIGN ENGINEER	DATE	NAME	DATE
DESIGNED BY: HENRY HENRY		CHKD BY: HENRY HENRY	
DRAWN BY: HENRY HENRY		CHKD BY: HENRY HENRY	
APP'D BY: HENRY HENRY		CHKD BY: HENRY HENRY	
DATE: 10/24/08		DATE: 10/24/08	
SCALE: 1:3		WEIGHT:	
SHEET NO. 1		TOTAL SHEETS 1	

**ITW** 54 WINTER ST.  
 HOLYOKE, MA. 01040  
**TITLE:** DIFFUSER ASM, D1, BLK  
**REV** G  
**DATE** 000 E 01 28 US  
**SCALE:** 1:3 **WEIGHT:** **SHEET 1 OF 1**



形状はこのタイプ

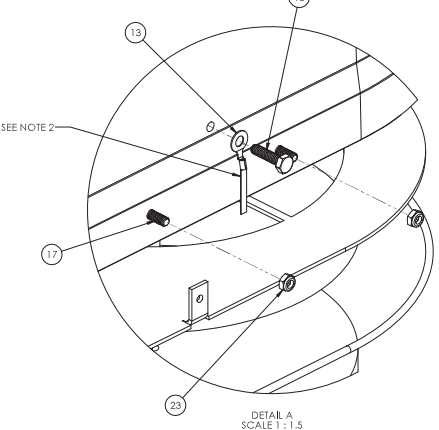
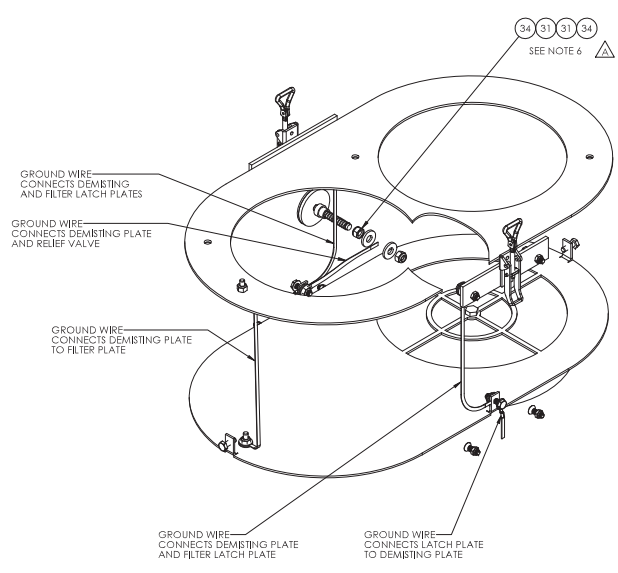
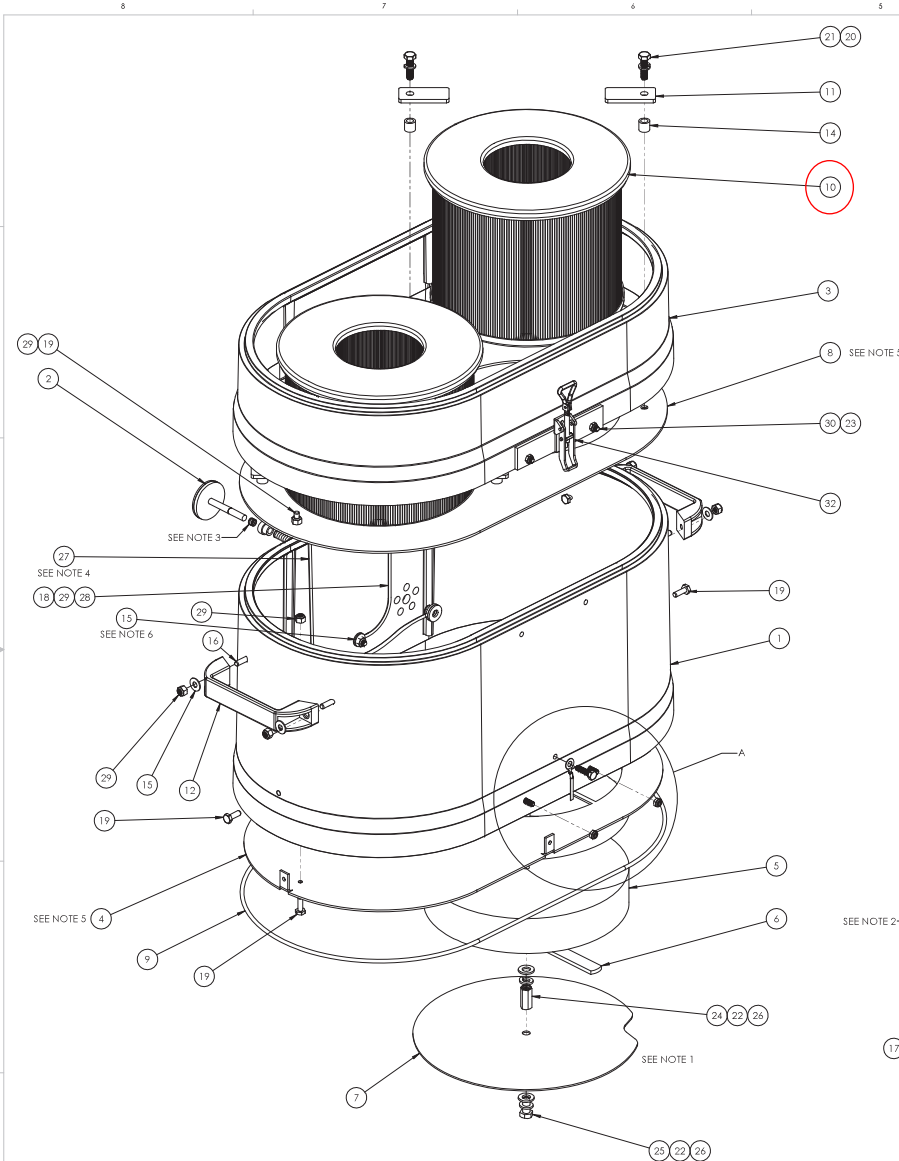


REVISIONS				
ZONE	REV.	DESCRIPTION	DATE	APPROVED
	A	ECCO 1157 BOM REVISED	11/10/2015	JJP
	B	ECCO 1296 BOM REVISED	1/19/2017	JJP
	C	ECCO 1371 CHANGED GASKET	8/7/2017	DJE
	D	ECCO 1390 ADDED 201.20 PLUGS TO DRIVE HOUSING. CHANGED TURBINE HARDWARE FROM 200.40 TO 348.74	9/6/2017	DJE

ITEM NO.	PART NO.	DESCRIPTION	QTY.
1	90228008	LID, BLK, DS100EX-1220EX	1
2	25004G-EX	MOTOR, GAS EX, 2HP, 3PH, 230/460	1
3	22219	TURBINE, 3 STAGE, 1.5 KW	1
4	23092A	DS1 DECK LIFTING ASM	1
5	96940080	RELIEF VALVE ASM, 2"	1
6	33052US	SHEAVE, 125MM, 10 GROOVE, POLY-V	1
7	3305205US	BUSHING, P1, 7/8"	1
8	33059	PULLEY, 52MM, 10 GROOVE, POLY V	1
9	35014	BELT, 330 J, 10 GROOVE, POLY-V	1
10	99953	TURBINE PROTECTOR SCREEN	1
11	3133305	GASKET, SELF GRIP	1
12	GWR008	GROUND WIRE, MOTOR TO TURBINE	1
13	31376002	GASKET, NEOPRENE, 1.88", 5.4FT LG	1
14	251603A	NEMA 9 SWITCH MOUNT BASE	1
15	251603B	NEMA 9 SWITCH MOUNT BRACKET, TOP	1
16	6100011	NIPPLE, 3/4NPT X 2"	1
17	37505	BOLT, HEX, 3/8-16 X 1 1/4"	4
18	37501	WASHER LOCK 3/8	4
19	37507	3/8" FLAT WASHER	4
20	20031	WASHER, FENDER, 1/4 X 1 1/4	3
21	34998	GROUND CONNECTOR	1
22	32627	NUT, HEX, LH, M12, 1 3/4"	1
23	32669	SCREW BH SOC M5 X 12MM	2
24	21464	SCREW M6 X 30 SOC HD, FLANGED	5
25	29000	WASHER EXT STAR 25IN	5
26	3481701	SCREW, SOC BH, FLANGED, M6-25	1
27	29067	WASHER FLAT M6	2
28	34876	M6 LOCK NUT	6
29	34817	SCREW UL3 SOC HD M6 X 20	1
30	34818	BOLT CARRIAGE M6 X 30	1
31	34817A	M6 BLIND PLEM	4
32	22120	PLUG, 8MM, BLK	2

FOR PARTS AND COMMENTS  
SEE DRAWING IN COMMENTS  
SECTION 11 OF THE USER MANUAL  
FOR THE LOCATION OF THE PARTS  
AND COMMENTS.

DESIGNED BY: JJP	DATE: 11/10/15	HOME: 54 WINTER ST.	REV: D
CHECKED BY: JJP	DATE: 11/10/15	HYDRO: 01040	REV: D
APPROVED BY: JJP	DATE: 11/10/15	TITLE: DS1150EX MOTORDECK 2HP	REV: D
DATE: 11/10/15	SCALE: 1:2	WEIGHT:	SHEET 1 OF 1



REVISED				
ZONE	REV	DESCRIPTION	DATE	APPROVED
02	A	UPDATED HARDWARE ON RELIEF VALVE	7/14/2017	JJP

ITEM NO.	PART NO.	DESCRIPTION	DRAWING NO.	QTY.
1	32828	HOUSING SPACER, LRG, BLK, NA35 DEMISTING ASM		1
2	9694006A	RELIEF VALVE 2 DIA FLUSH ASSY		1
3	32830	HOUSING SPACER, SM, BLK, NA35 DEMISTING ASM		1
4	9940D	NA35 DEMISTING PAD PLATE		1
5	9840	DEMISTING MAT		1
6	9940E	NA35 DEMISTING PAD HOLD DOWN		1
7	9940Q	DEFLECTOR PLATE, NA35 DEMISTING PAD	000 E 0313 US	1
8	9675PLATE	NA CARTRIDGE FILTER PLATE		1
9	31376	GASKET, 3/16" ROUND		1
10	10007147	FILTER CARTRIDGE, 10.25 X 7.875		2
11	100034838RACKET	FILTER HOLD DOWN BRACKET, ALCOA		4
12	21658-25	HANDLE, BLK, 2 X 6MM, WITH HOLES		2
13	GWR25B2	GROUND WIRE, LATCH PLATE		2
14	34812D	SPACER, 1/4" SCH40, 1/2" LONG		4
15	200180	WASHER FLAT, .25 (.688OD) SS		16
16	25008S	HEX BOLT 1/4-20 X 1 1/4" SS		4
17	3286630	SCREW SOG FH M6 X 20 SS		4
18	250053S	HEX BOLT 1/4-20 X 1" SS		2
19	200179	HEX BOLT 1/4-20 X 3/4" SS		4
20	328615	WASHER SPRING LOCK M6 SS		4
21	3286640	HEX BOLT M8 X 30 SS		4
22	37501	WASHER LOCK 3/8"		2
23	34876S	M6 LOCK NUT		8
24	91410S	3/8-16 SS HEX COUPLING NUT		1
25	37538	BOLT, HEX, .375-16, .75LG, SS		1
26	200187	WASHER, FLAT, 3/8, SS		2
27	GWR25814R25	GROUND, DEMISTING PLATE TO FILTER PLATE, NA35		1
28	GWR2589R25	GROUND, DEMISTING LATCH PLATE TO FILTER LATCH PLATE, NA35		2
29	250025S	NUT LOCK 1/4-20 SS		8
30	34816S	HEX BOLT M6 X 30 SS		4
31	31205S	FLAT WASHER SS 5/16		2
32	314065A	LATCH PULL CLAMP LEVER ASM		2
33	GWRD15	GROUND WIRE, REL VLV TO DISPERSION		1
34	31202S	5/16-18 LOCK NUT SS		1

- NOTES:
- ANGLE NOTCH TO CLEAR WATER FILL
  - PLACE GROUND WIRE BETWEEN HOUSING AND PLATES, BOTH SIDES
  - 9694006J SPRING IS OUTSIDE OF HOUSING
  - GROUND WIRE CONNECTS DEMISTING PAD PLATE AND FILTER PLATE
  - BOND SURFACES WITH 3M 550
    - ABRADE METAL SURFACES BEFORE APPLYING SEALANT
    - CLEAN SURFACES WITH HYPOXYL ALCOHOL
  - SS GROUND WIRES ARE LOOPED THRU AND BETWEEN SS WASHERS

PROPERTY AND COMMENTS: THIS DRAWING IS THE PROPERTY OF HYDRONIC INC. IT IS TO BE USED ONLY FOR THE PROJECT AND FOR THE CLIENT'S USE. IT IS NOT TO BE REPRODUCED OR TRANSMITTED IN ANY FORM OR BY ANY MEANS, ELECTRONIC OR MECHANICAL, INCLUDING PHOTOCOPYING, RECORDING, OR BY ANY INFORMATION STORAGE AND RETRIEVAL SYSTEM, WITHOUT THE WRITTEN PERMISSION OF HYDRONIC INC.	DESIGNED BY: JJP CHECKED BY: JJP ENG. APPR.: MFG. APPR.: DATE: 7/14/2017 SCALE: 1:1	TITLE: <b>NA35 DEMISTING ASM          FULLY GROUND          W/ CLAMPS</b>	SEE DWG. NO. 370 E 0029 US SCALE: 1:8 WEIGHT: SHEET 1 OF 1
--	--	--	---