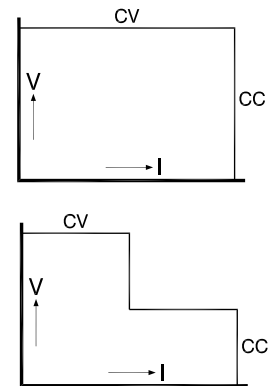




SM 1500 - Series 1500 Watts DC POWER SUPPLIES

Models	Voltage range	Current range
SM 15-100	0 - 15 V	0 - 100 A
SM 35-45	0 - 35 V	0 - 45 A
SM 52-30	0 - 52 V	0 - 30 A
SM 52-AR-60 Autoranging output	0 - 26 V 0 - 52 V	0 - 60 A 0 - 30 A
SM 70-22	0 - 70 V	0 - 22 A
SM 120-13	0 - 120 V	0 - 13 A
SM 300-5	0 - 300 V	0 - 5 A
SM 400-AR-8 Autoranging output	0 - 200 V 0 - 400 V	0 - 8 A 0 - 4 A



Features

- cTUVus safety approval
- Designed for long life at full power
- Excellent dynamic response to load changes
- Protected against all overload and short circuit conditions
- EMC surpasses CE requirements: low emission & high immunity
- Low audible noise: fans are temperature controlled
- Available options: High Speed Programming, Interfaces, Extra Isolation, Sequencer, Digital Encoders, Power Sink etc.

Functionalities

- Master/Slave parallel and series operation with voltage and current sharing
- Stacking is allowed, space between units is not required
- High power system configuration from multiple units
- 19" rack mounting or for laboratory use (feet included)
- Remote sensing
- Interlock

	SM 15-100	SM 35-45	SM 52-30	SM 52-AR-60	SM 70-22	SM 120-13	SM 300-5	SM 400-AR-8
Output voltage current AUTORANGING (2 ranges) max. output current / voltage	0 - 15 V 0 - 100 A no -	0 - 35 V 0 - 45 A no -	0 - 52 V 0 - 30 A no -	0 - 52 V 0 - 60 A yes 60 A / 0-26 V 30 A / 26-52 V	0 - 70 V 0 - 22 A no -	0 - 120 V 0 - 13 A no -	0 - 300 V 0 - 5 A no -	0 - 400 V 0 - 8 A yes 8 A / 0-200 V 4 A / 200-400 V
Input AC single phase, 48 - 62 Hz rated voltage range rated frequency <i>Power Derating vs input:</i> 90 V : P _{out max} (W), I _{in} (A) 100 V : P _{out max} (W), I _{in} (A) 110 V : P _{out max} (W), I _{in} (A) 230 V : P_{out max} (W), I_{in} (A) power factor, 100%, 50% load internal fuses standby input power (V _o =I _o =0) standby input power (V _o =V _{max})	90 - 265 V 100 - 240 V 50 / 60 Hz 1170,16 1317,16 1492,16 1500,7.5 0.99, 0.98 25 AT 12 W 22 W	90 - 265 V 100 - 240 V 50 / 60 Hz 1185,16 1334,16 1498,16 1575,7.7 0.99, 0.98 25 AT 12 W 22 W	90 - 265 V 100 - 240 V 50 / 60 Hz 1200,16 1350,16 1505,16 1560,7.7 0.99, 0.98 25 AT 12 W 22 W	90 - 265 V 100 - 240 V 50 / 60 Hz 1200,16 1350,16 1505,16 1560,7.7 0.99, 0.98 25 AT 12 W 22 W	90 - 265 V 100 - 240 V 50 / 60 Hz 1200,16 1350,16 1505,16 1540,7.6 0.99, 0.98 25 AT 12 W 22 W	90 - 265 V 100 - 240 V 50 / 60 Hz 1200,16 1350,16 1505,16 1560,7.7 0.99, 0.98 25 AT 12 W 22 W	90 - 265 V 100 - 240 V 50 / 60 Hz 1200,16 1350,16 1500,16 1500,7.4 0.99, 0.98 25 AT 12 W 22 W	90 - 265 V 100 - 240 V 50 / 60 Hz 1200,16 1350,16 1505,16 1600,7.8 0.99, 0.98 25 AT 12 W 25 W
				26 V / 52 V				200 V / 400 V
Efficiency AC 230 V input, full load AC 115 V input, max. load	87 % 83 %	90 % 86 %	90 % 86 %	89 / 90 % 84%	90 % 86 %	90 % 86 %	91 % 86 %	90 / 91% 86%
Regulation								
Load 0 - 100% Line 120 - 265 V AC (measured on sense block)	CV 0.5 mV 0.2 mV	1 mV 0.5 mV	2 mV 0.7 mV	2 mV 0.7 mV	2.5 mV 1 mV	4 mV 2 mV	10 mV 3 mV	12 mV 4 mV
Load 0 - 100% Line 120 - 265 V AC (internal voltage sense)	CC 5 mA 1 mA	3 mA 0.5 mA	1.5 mA 0.5 mA	2 mA 1 mA	1 mA 0.25 mA	0.6 mA 0.2 mA	0.5 mA 0.1 mA	0.5 mA 0.2 mA
Ripple + noise rms (BW=300 kHz) p-p (BW=20 MHz) rms (BW=300 kHz) p-p (BW=20 MHz) CC-ripple at full load	CV 2 mV 8 mV CC 15 mA 80 mA	1.8 mV 8 mV 5 mA 15 mA	2 mV 15 mV 3 mA 10 mA	2 mV 15 mV 10 / 3 mA 30 / 10 mA	3 mV 15 mV 3 mA 10 mA	7 mV 30 mV 2 mA 6 mA	7 mV 50 mV 0.5 mA 4 mA	15 mV 80 mV 1.2 / 0.6 mA 6 / 3 mA
Temp. coeff., per °C	CV CC			35.10 ⁻⁶ 60.10 ⁻⁶				
Stability after 1 hr warm-up during 8 hrs t _{amb} = 25 ± 1 °C, V _{in} = 230 V AC (int. voltage sensing for CC-stab.)	CV CC			6.10 ⁻⁵ 9.10 ⁻⁵				

Analog Programming	CV	CC
Programming inputs input range accuracy offset temp. coeff. offset input impedance	0 - 5 V ± 0.2% - 0.1 ... +1.3 mV (on 5V) 10 μV / °C > 1 MOhm	0 - 5 V ± 0.5% 0 ... +2.2 mV (on 5V) 50 μV / °C > 1 MOhm
Monitoring output output range accuracy offset temp. coeff. offset output impedance	0 - 5 V ± 0.2% - 1... 0 mV (on 5V) 3 μV / °C 2 Ohm / max. 4 mA	0 - 5 V ± 0.5% - 1.1... 0 mV (on 5V) 60 μV / °C 2 Ohm / max. 4 mA

Reference voltage on prog. connector	V _{ref} TC	5.114 V ± 15 mV (R _o = 2 Ohm, max. 4 mA) 20 ppm
+12 V output on prog. Connector	V _o I _{max} R _o	12 V ± 0.2 V 0.2 A 3 Ohm
Relay Outputs ACF DCF	AC - Fail DC - Fail	both NO and NC contact both NO and NC contact 1) output voltage ± 5% beyond set point

Status outputs	CC - operation CV or CC limit Over Temperature Power Sink Overload AC - Fail DC - Fail ²⁾	5 V = logic 1 (R _o = 500 Ohm) 5 V = logic 1 (R _o = 500 Ohm) 5 V = logic 1 (R _o = 500 Ohm) 5 V = logic 1 (R _o = 500 Ohm) 5 V = logic 1 (R _o = 500 Ohm) 5 V = logic 1 (R _o = 500 Ohm)
	²⁾ output voltage ± 5% beyond set point	
Remote ShutDown	with + 5V, 1 mA or relay contact	
Interlock	contact at rear panel, see photo of rear panel on page 1-6	
Indicators (front panel)	Voltage meter, Ampere meter, AC-Fail, DC-Fail, Over Temperature, Power Sink Overload, Remote-ShutDown, Remote-CV, Remote-CC, Output On, CV-limit, CC-limit, CV- and CC- mode	
Controls (front panel)	Mains on/off switch, CV-and CC-potmeter, CV- and CC-limit-potmeter, Display-Settings button, Display-Limits button, Remote/Local button, Output On/Off button, Front panel Lock button.	

Programming speed <i>Standard Version</i>	SM 15-100	SM 35-45	SM 52-30	SM 52-AR-60	SM 70-22	SM 120-13	SM 300-5	SM 400-AR-8
Rise time (10 - 90%)								
output voltage step	0 → 15 V	0 → 35 V	0 → 52 V	0 → 26 V	0 → 70 V	0 → 120 V	0 → 300 V	0 → 200 V
time, (100 % load)	6.1 ms	15.4 ms	7.3 ms	8.5 ms	13.2 ms	3.4 ms	9 ms	3.7 ms
time, (10 % load)	2.1 ms	5.1 ms	2.4 ms	2.8 ms	4.4 ms	2 ms	3.9 ms	2.6 ms
output voltage step	-	-	-	0 → 52 V	-	-	-	0 → 400 V
time, (100 % load)	-	-	-	34.2 ms	-	-	-	15 ms
time, (10 % load)	-	-	-	11 ms	-	-	-	5 ms
Fall time (90 - 10%)								
output voltage step	15 → 0 V	35 → 0 V	52 → 0 V	26 → 0 V	70 → 0 V	120 → 0 V	300 → 0 V	200 → 0 V
time, (100 % load)	6.1 ms	14.7 ms	7 ms	8.2 ms	12.9 ms	3.3 ms	9 ms	3.5 ms
time, (10 % load)	61 ms	147 ms	70 ms	82 ms	129 ms	33 ms	90 ms	35 ms
output voltage step	-	-	-	52 → 0 V	-	-	-	400 → 0 V
time, (100 % load)	-	-	-	33 ms	-	-	-	14.2 ms
time, (10 % load)	-	-	-	330 ms	-	-	-	142 ms
Programming speed <i>High Speed Version</i>	SM 15-100 <i>Option P210</i>	SM 35-45 <i>Option P211</i>	SM 52-30 <i>Option P212</i>	SM 52-AR-60 <i>Option P213</i>	SM 70-22 <i>Option P214</i>	SM 120-13 <i>Option P215</i>	SM 300-5 <i>Option P216</i>	SM 400-AR-8 <i>Option P217</i>
Rise time (10 - 90%)								
output voltage step	0 → 15 V	0 → 35 V	0 → 52 V	0 → 26 V	0 → 70 V	0 → 120 V	0 → 300 V	0 → 200 V
time, (100 % load)	0.20 ms	0.27 ms	0.32 ms	0.44 ms	0.47 ms	0.46 ms	1.0 ms	0.35 ms
time, (10 % load)	0.11 ms	0.14 ms	0.22 ms	0.45 ms	0.27 ms	0.27 ms	0.51 ms	0.33 ms
output voltage step	-	-	-	0 → 52 V	-	-	-	0 → 400 V
time, (100 % load)	-	-	-	0.42 ms	-	-	-	0.98 ms
time, (10 % load)	-	-	-	0.34 ms	-	-	-	0.59 ms
Fall time (90 - 10%)								
output voltage step	15 → 0 V	35 → 0 V	52 → 0 V	26 → 0 V	70 → 0 V	120 → 0 V	300 → 0 V	200 → 0 V
time, (100 % load)	0.21 ms	0.33 ms	0.39 ms	0.48 ms	0.67 ms	0.51 ms	1.40 ms	0.35 ms
time, (10 % load)	1.6 ms	3.5 ms	3.6 ms	1.9 ms	6.4 ms	4.5 ms	13 ms	3.8 ms
output voltage step	-	-	-	52 → 0 V	-	-	-	400 → 0 V
time, (100 % load)	-	-	-	0.7 ms	-	-	-	1.7 ms
time, (10 % load)	-	-	-	6.5 ms	-	-	-	18 ms
Ripple @ full load				26 V / 60 A				200 V
(rms/pp)	20/ 80 mV	50/115 mV	50 /185 mV	20 / 90 mV	30/125 mV	20/80 mV	25/115 mV	85 / 355 mV
@ full load				52 V / 30 A				400 V
(rms/pp)				20 / 90 mV				60 / 245 mV
Output capacitance	390 µF	190 µF	135 µF	228 µF	135 µF	21 µF	10 µF	7 µF

Notes: All specifications regarding programming speed are typical and measured on a resistive load.

	SM 15-100	SM 35-45	SM 52-30	SM 52-AR-60	SM 70-22	SM 120-13	SM 300-5	SM 400-AR-8
Recovery time				26 V / 52 V				200 V / 400 V
recovery within	50 mV	50 mV	100 mV	60 mV	100 mV	0.7 V	1.0 V	1.0 / 0.5 V
di/dt of load step	1.5 A/µs	0.8 A/µs	0.5 A/µs	1.0 / 0.5 A/µs	0.4 A/µs	0.2 A/µs	0.1 A/µs	0.2 / 0.1 A/µs
output voltage	14 V	30 V	48 V	24 / 48 V	65 V	110 V	280 V	185 / 370 V
time, @ 50 - 100% load step	100 µs	100 µs	100 µs	100 / 100 µs	100 µs	100 µs	100 µs	100 / 100 µs
max. deviation	200 mV	150 mV	250 mV	200 / 100 mV	200 mV	2.2 V	1.5 V	2.5 / 1.5 V
@ 230 V AC input voltage								
Output impedance								
CV, 0-1 kHz	< 1.3 mΩ	< 1.7 mΩ	< 3.5 mΩ	< 3.3 mΩ	< 7.5 mΩ	< 63 mΩ	< 125 mΩ	< 83 mΩ
CV, 1-100 kHz	< 25 mΩ	< 30 mΩ	< 30 mΩ	< 40 mΩ	< 30 mΩ	< 0.6 Ω	< 1 Ω	< 1.3 Ω
Pulsating load								
max. tolerable AC component of load current								
f > 1 kHz	15 Arms	15 Arms	13 Arms	20 Arms	13 Arms	2.5 Arms	1.2 Arms	0.8 Arms
f < 1 kHz	100 Apeak	45 Apeak	30 Apeak	30 / 60 Apeak	22 Apeak	13 Apeak	5 Apeak	8 / 4 Apeak

Insulation 1 input / output creepage / clearance input / case output / case	3750 Vrms (1 min.) 8 mm 2500 Vrms 600 V DC
Safety	cTUVus / EN 60950 / EN 61010
EMC Power Supply Standard	EN 61204-3 , Emission: residential, light industrial environment (CISPR22-Class B) Immunity: industrial environment
Generic Emission Generic Immunity	EN 61000-6-3 , residential, light industrial environment (EN 55022 B) EN 61000-6-2 , industrial environment
Operating Temperature at full load	- 20 to + 50 °C derate output to 75% at 60 °C
Humidity	max. 95% RH, non condensing, up to 40 °C max. 75% RH, non condensing, up to 50 °C
Storage temperature	- 40 to + 85 °C
Thermal protection	Output shuts down in case of insufficient cooling
MTBF	500 000 hrs

Hold-Up time $V_{out} = 100\%$, $I_{out} = 100\%$ $V_{out} = 85\%$, $I_{out} = 100\%$ $V_{out} = 100\%$, $I_{out} = 50\%$ @ 230 V AC input	16 ms 20 ms 36 ms (time till DC-fail = 1)
Turn on delay after mains switch on	480 ms @ 230 V AC, 700 ms @ 115 V AC
Inrush current	27 A @ 115 V AC, 22 A @ 230 V AC

Series operation max. total voltage Master / Slave operation	600 V yes
Parallel operation max. total current Master / Slave operation	no limit max. 4 units (including master)
Remote sensing max. volt. drop per load lead	2 V
Limits Voltage adjust range Current adjust range	0 - 102% 0 - 102%
Potentiometers & Encoders front panel control with knobs resolution screwdriver adjustment digital encoders	standard 0.03 % Option P001 (at front panel) Option P220
	SM 15-100 SM 35-45 SM 52-30 SM 52-AR-60 SM 70-22 SM 120-13 SM 300-5 SM 400-AR-8
Meters scale voltage scale current accuracy read output read limit setting (d = digit)	3.5 digit 0 - 15.00 V 0 - 100.0 A 0.5% + 2 d 2% + 2 d
	3.5 digit 0 - 35.0 V 0 - 45.0 A 0.5% + 2 d 2% + 2 d
	3.5 digit 0 - 52.0 V 0 - 30.0 A 0.5% + 2 d 2% + 2 d
	3.5 digit 0 - 52.0 V 0 - 60.0 A 0.5% + 2 d 2% + 2 d
	3.5 digit 0 - 70.0 V 0 - 22.0 A 0.5% + 2 d 2% + 2 d
	3.5 digit 0 - 120.0 V 0 - 13.00 A 0.5% + 2 d 2% + 2 d
	3.5 digit 0 - 300 V 0 - 5.00 A 0.5% + 2 d 2% + 2 d
	3.5 digit 0 - 400 V 0 - 8.00 A 0.5% + 2 d 2% + 2 d

Mounting	Stacking of units allowed, air flow is from left to right.
Input Connector	IEC320/C20, EN 60320/C20
Output Terminals	M8 bolts
Programming connector	15 pole D-connector at rear panel (FEMALE)
Cooling audio noise level airflow	Low noise blower, fan speed adapts to temperature of internal heatsink. ca.45 dBA at full load, 25 °C ambient temperature, 1 m distance ca. 50 dBA at full load, 50 °C ambient temperature, 1 m distance from left to right
Enclosure degree of protection	IP20
Dimensions behind front panel: h x w x d front panel: h x w	89 x 442 x 365 mm (feet removed) 89 x 483 mm (19", 2 U)
Weight	9.9 kg

Typical Applications

- Solar inverter testing, PV-Simulation
- Semiconductor burn-in & processing
- Car test systems
- ATE in industrial production lines
- Lasers
- Controlled battery (dis)charging
- Component device testing
- Driving PWM-controlled DC-motors
- Accurate current sources
- Aerospace and military equipment

Available Options

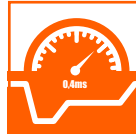


Increased Output Power

The conservatively rated unit allows to deliver extra output with the same reliability.

At some derating, either the maximum output voltage or the maximum output current can be increased by about 10%.

- Order Code - P069



High speed programming

A 10 to 20 times higher programming speed (down to 0.2 ms rise time at full load)

and lower output capacitance.

Excellent for laser applications, test systems or as current source with low parallel capacitance as used in plasma chambers.

- Order Codes :

SM 15-100	P210	-	SM 70-22	P214
SM 35-45	P211	-	SM 120-13	P215
SM 52-30	P212	-	SM 300-5	P216
SM 52-AR-60	P213	-	SM 400-AR-8	P217



Two-Quadrant Output: Power sink

Two quadrant operations maintains the output voltage constant

regardless the output power is positive or negative. Ideal for PWM-speed controlled DC-motors and ATE systems.

- Order Codes :

SM 15-100	P202	-	SM 52-AR-60	P205
SM 35-45	P203	-	SM 70-22	P206
SM 52-30	P204			



Sequencer

Arbitrary Waveform generator or standalone automation.

The sequencer is integrated in the Ethernet controller.

- Order Code - P177



High Voltage Isolation

A higher output isolation allows series operation up to 1000V.

- Order Code - P089



Secured Voltage and Current Setting

For a maximum security, the CV/CC settings can be adjusted with a screwdriver only and are protected with a plastic cap from accidental adjusting.

- Order Code - P001



Digital Voltage and Current Setting

Reliable, longlife digital encoders can be implemented at the front panel. Includes total front panel lock (also for CV/CC-knobs) and

a coarse or fine pitch adjustment depending on the turning speed.

- Order Code - P220

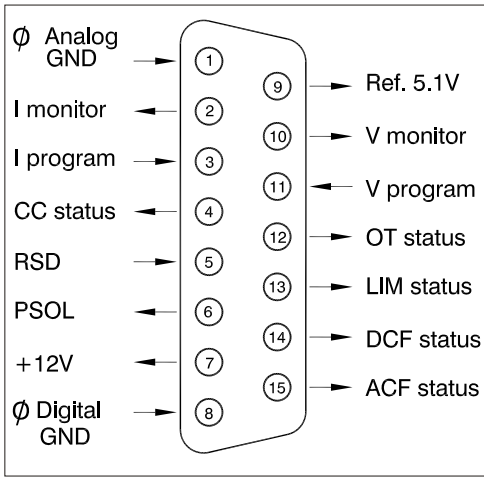


Software Control and Interfaces

Factory installed programming interfaces:

- | | |
|--|--------|
| • Ethernet controller (incl.sequencer) | - P177 |
| • RS232 controller | - P183 |
| • IEEE488 controller | - P184 |
| • ISO AMP CARD - isolated analog | - P218 |
| • PROFIBUS controller | - P273 |
| • CANBUS controller | - P274 |

- Note:**
1. Download datasheets about High Speed Programming, Power Sink and Battery Charging from www.DeltaPowerSupplies.com.
 2. There is only room for one of the interfaces in a unit (P177, P183, P184, P218, P273 or P274).
 3. Units with P089 are standard equipped with ISO AMP, this can be replaced by P183 or P184.
These units are without non-isolated analog programming and cannot be combined with P177, P273 or P274.

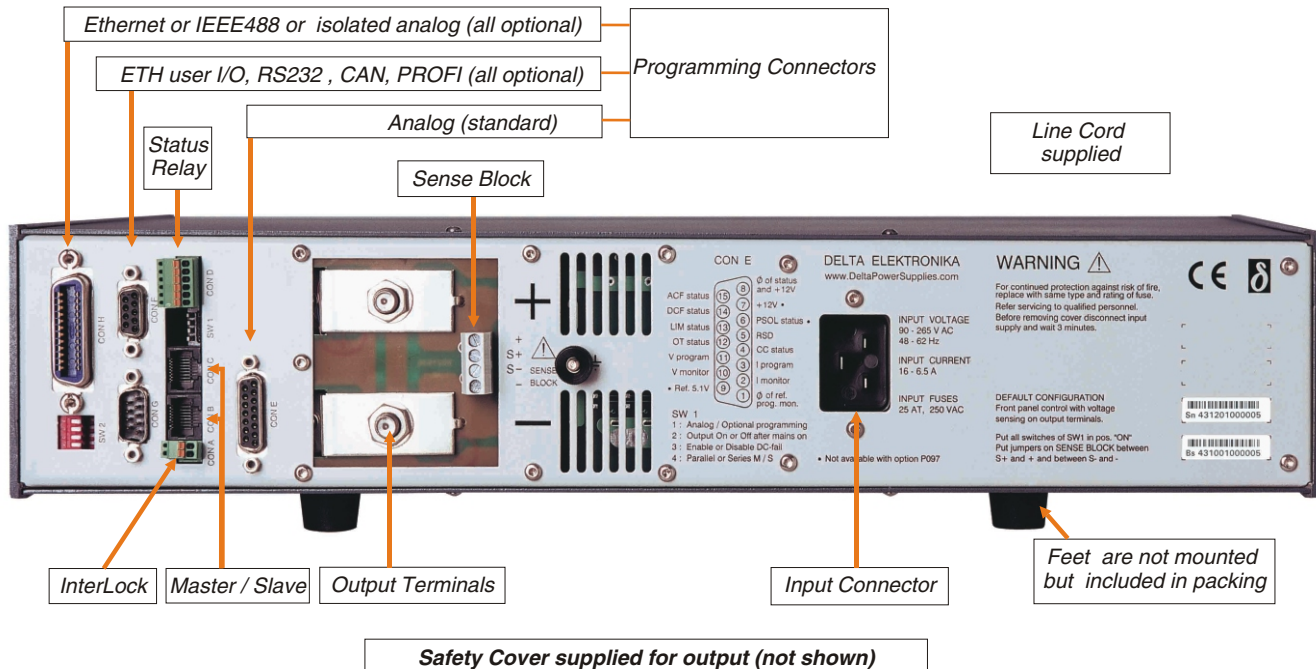
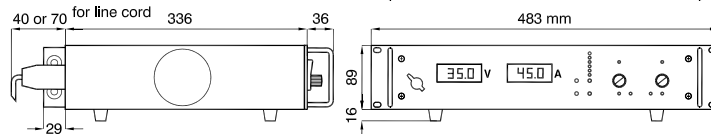


Connections programming connector

CV = Constant Voltage
 CC = Constant Current

Specifications measured at $t_{amb} = 25 \pm 5^\circ C$ and $V_{in} = 230 V AC$, 50 Hz, unless otherwise noted.

The information in this document is subject to change without notice



Note: Units with Option P089 are standard equipped with isolated analog programming via ISO AMP on CON H (CON E is not available).

Schulz Electronic
 Professional Power Supplies

Schulz-Electronic GmbH
 Dr.-Rudolf-Eberle-Straße 2
 D-76534 Baden-Baden
 Fon + 49.7223.9636.0
 Fax + 49.7223.9636.90
 vertrieb@schulz-electronic.de
 www.schulz-electronic.de