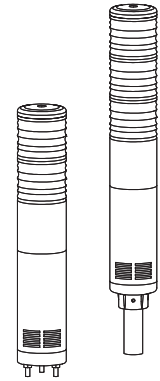
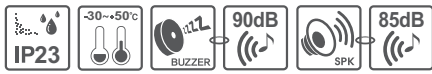


Ethernet LED Tower Light

ST45(M)L/ ST56(M)EL/ ST80(M)EL-ETN



Thank you for purchasing Qlight's products. Please read this user manual carefully prior to installation and operation to ensure safe and correct use.

⚠ Precautions for Safety

Failure to follow the instructions below may cause a loss of life or serious physical injury.

1. During wiring or maintenance, please completely turn off the power of the product. (Failure to follow this may lead to an electric shock.)
2. Do not install the product in locations that subjects it to excessive dust or water other than the conditions designated by the IP protection ratings indicated for each product. (Failure to follow these instructions may cause a fire to the product, electric shock, physical injury, malfunction or damage to the product.)
3. Do not alter or repair this product. If maintenance or repair service is required, please contact your local Qlight contact point. (Failure to follow these instructions may lead to fire, electric shock, or product damage.)
4. Please apply the correct voltage to the product. (Failure to follow these instructions may lead to fire, electric shock, or product damage.)
5. When the product is applied to a condition that may impact lives or property, please make sure to have a double safety device. (Failure to follow this may cause damage to property, fire, electric shock and loss of life.)

⚠ Precautions for Correct Use

Failure to follow the proper instructions may cause damage to property, the product, or malfunction of the product that would void the warranty.

1. Please remove any objects that can interrupt ventilation around the product.
2. Please turn off the power of the product immediately if it fails to operate properly.
3. Carefully wire the product according to each product's specification.
4. Please be careful in preventing chemicals such as thinner, benzene, etc. in contact with the surface of the product.
5. Do not apply excessive force/impact to the product.
6. Failure to follow any of the instructions above may cause malfunction or damage to the product, fire, and electric shock.

Ordering Specifications

• ST45(M)L-ETN

ST45L-ETN-WS	3	24	RAG	LW18
[Model number]	[Layer]	[Voltage]	[Color]	[Mounting option]
• ST45L-ETN-BZ	• Layer1-1	• 12-DC12V	R-Red	• (None)
• ST45L-ETN-WS	• Layer2-2	• 24-DC24V	A-Amber	- Standard type
• ST45L-ETN-WM	• Layer3-3	• 110/220	G-Green	• Mounting type
• ST45L-ETN-WA	• Layer4-4	-AC110-220V	B-Blue	- LB18 - LW18
• ST45ML-ETN-BZ	• Layer5-5		W-White	- QZ18 - SZ18
• ST45ML-ETN-WS				- QL18 - SL18
• ST45ML-ETN-WM				
• ST45ML-ETN-WA				

• ST56(M)EL-ETN

ST56EL-ETN-WS	3	220	RAG	LW18
[Model number]	[Layer]	[Voltage]	[Color]	[Mounting option]
• ST56EL-ETN-BZ	• Layer1-1	• 12-DC12V	R-Red	• (None)
• ST56EL-ETN-WS	• Layer2-2	• 24-DC24V	A-Amber	- Standard type
• ST56EL-ETN-WM	• Layer3-3	• 110/220	G-Green	• Mounting type
• ST56EL-ETN-WA	• Layer4-4	-AC110-220V	B-Blue	- LB18 - LW18
• ST56MEL-ETN-BZ	• Layer5-5		W-White	- QZ18 - SZ18
• ST56MEL-ETN-WS				- QL18 - SL18
• ST56MEL-ETN-WM				
• ST56MEL-ETN-WA				



Please scan the QR code for more detailed product information.

www.qlight.com

Ordering Specifications

• ST80(M)EL-ETN

ST80EL-ETN-WS [Model number]	-	3 [Layer]	-	220 [Voltage]	-	RAG [Color]	-	LW24 [Mounting option]
<ul style="list-style-type: none"> • ST80EL-ETN-BZ • ST80EL-ETN-WS • ST80EL-ETN-WM • ST80EL-ETN-WA • ST80MEL-ETN-BZ • ST80MEL-ETN-WS • ST80MEL-ETN-WM • ST80MEL-ETN-WA 		<ul style="list-style-type: none"> • Layer1-1 • Layer2-2 • Layer3-3 • Layer4-4 • Layer5-5 		<ul style="list-style-type: none"> • 12-DC12V • 24-DC24V • 110/220 -AC110-220V 		<ul style="list-style-type: none"> R-Red A-Amber G-Green B-Blue W-White 		<ul style="list-style-type: none"> • (None) - Standard type • Mounting type - LB24 - LW24 - QZ24 - SZ24 - QL24 - SL24

Product Specifications

• ST45(M)L-ETN

Model number	Layer	Voltage	Certificate	Color
ST45L-ETN ST45ML-ETN	1	DC12V DC24V AC110V-220V	CE	R-Red
	2	DC12V DC24V AC110V-220V		R-Red G-Green
	3	DC12V DC24V AC110V-220V		R-Red A-Amber G-Green
	4	DC12V DC24V AC110V-220V		R-Red A-Amber G-Green B-Blue
	5	DC12V DC24V AC110V-220V		R-Red A-Amber G-Green B-Blue W-White

Light source/signal sound current(based on 1 layer)			
Voltage condition	DC12V	DC24V	AC110-220V
Light source current (1 layer)	230mA	160mA	Max.60mA
Signal sound current	350mA	230mA	Max.85mA

• ST56(M)EL-ETN

Model number	Layer	Voltage	Certificate	Color
ST56EL-ETN ST56MEL-ETN	1	DC12V DC24V AC110V-220V	CE	R-Red
	2	DC12V DC24V AC110V-220V		R-Red G-Green
	3	DC12V DC24V AC110V-220V		R-Red A-Amber G-Green
	4	DC12V DC24V AC110V-220V		R-Red A-Amber G-Green B-Blue
	5	DC12V DC24V AC110V-220V		R-Red A-Amber G-Green B-Blue W-White

Light source/signal sound current(based on 1 layer)			
Voltage condition	DC12V	DC24V	AC110-220V
Light source current (1 layer)	240mA	165mA	Max.65mA
Signal sound current	350mA	230mA	Max.85mA

※ KC compliant : AC220V(ST56EL-ETNS)

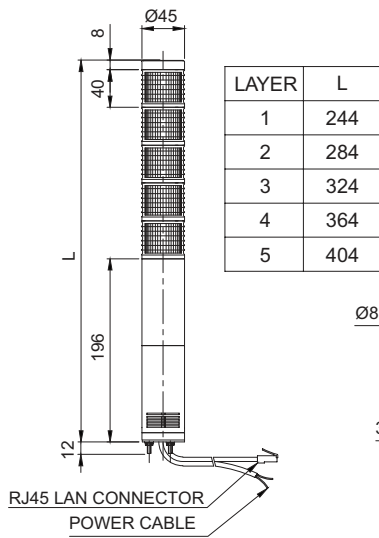
• **ST80(M)EL-ETN**

Model number	Layer	Voltage	Certificate	Color
ST80EL-ETN ST80MEL-ETN	1	DC12V DC24V AC110V-220V	-	R-Red
	2	DC12V DC24V AC110V-220V		R-Red G-Green
	3	DC12V DC24V AC110V-220V		R-Red A-Amber G-Green
	4	DC12V DC24V AC110V-220V		R-Red A-Amber G-Green B-Blue
	5	DC12V DC24V AC110V-220V		R-Red A-Amber G-Green B-Blue W-White

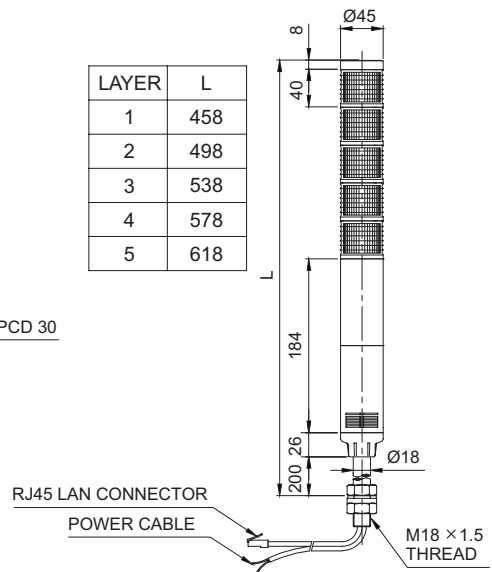
Light source/signal sound current(based on 1 layer)			
Voltage condition	DC12V	DC24V	AC110-220V
Light source current (1 layer)	260mA	180mA	Max.70mA
Signal sound current	350mA	230mA	Max.85mA

- Protection rating : IP23
- Ambient operating temperature : -30°C to + 50°C
- LED Module Standard Operation : 2 layers will operate at the same time

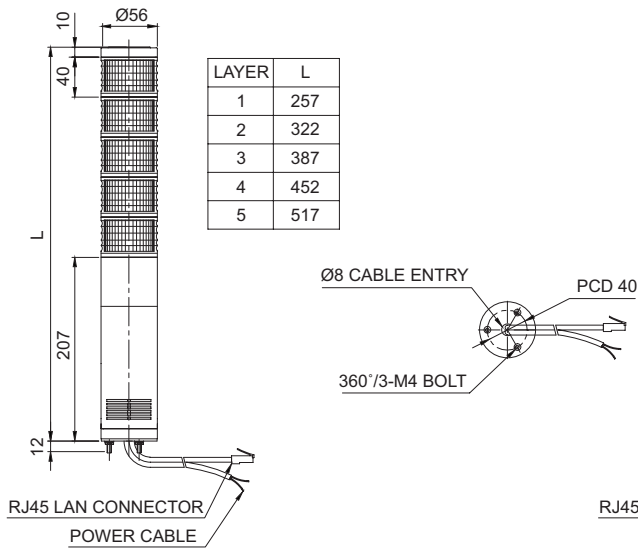
ST45ML-ETN



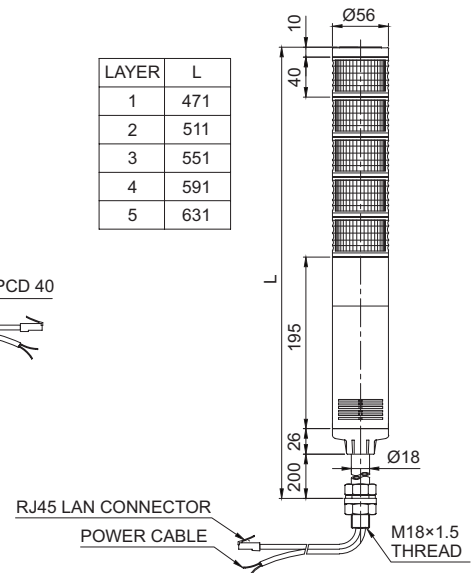
ST45L-ETN



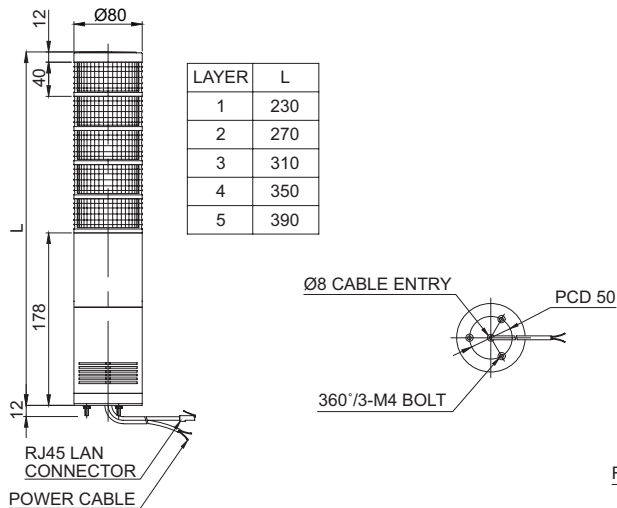
ST56MEL-ETN



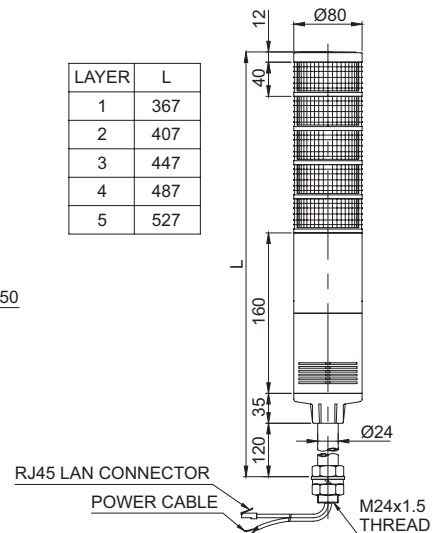
ST56EL-ETN



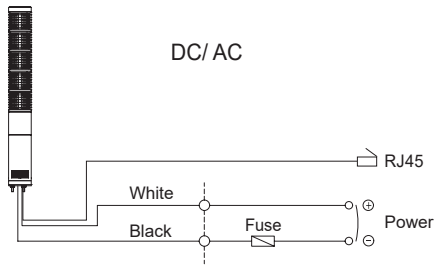
ST80MEL-ETN



ST80EL-ETN

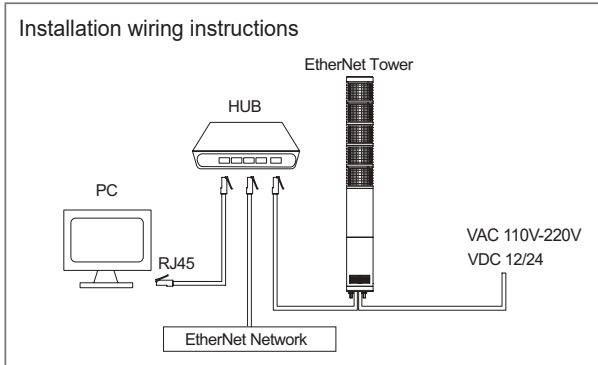


Wiring Instructions



- Connect RJ45 connector that is connected to UTP cable to Ethernet port of a PC or a router.
- External power line - UL1015 AWG18(0.75sq) x 2C 400mm
- For AC type, power cable is equipped with the product.
- UTP Cable : Category 5 cable

Product Installation



■ Test Ethernet LED Tower Light

1. Please connect LAN cable of the tower light to the router so that the tower light can access Ethernet network by referring left diagram.
2. Please be sure that the power supply shall meet the product specification accordingly.

Applying the Ethernet Device

1. Please activate default PC network only. Please run Windows CMD(Command line) of PC over the same network in order to confirm network information where the Ethernet product will be connected.

Example) Windows 7 : Start(Run)->CMD->ipconfig /all

Windows 10 : Start menu-> Click right mouse button->CMD->ipconfig /all

- Please refer to below network information when the Ethernet product's network environment is configured.

Ethernet adapter Local Area Connection:

```

Connection-specific DNS Suffix . :
IP Address . . . . . : 192.168.10.101
Subnet Mask . . . . . : 255.255.255.0
Default Gateway . . . . . : 192.168.10.1
    
```

2. Because the ETN tower light is connected to a hub with the PC that is same as the picture on the front page, ETN tower light and the PC are now connected with the same network.
3. Please download the product manual, library file and test program from Qlight website(www.qlight.com) or blog.qlight.com

Download

PDF Catalogue

Operating Manual

Test Program

Manual & Library

1.Dev. ETN Program Sample

Program Sample needed when developing (x32bit/x64bit compatibility)

2.How to use

Instructions of how to use the product and library file

4. When you unzip the file, there will be a file with the same name below. The instructions are listed inside the file.

5. When you unzip "ETN TEST PROGRAM.zip" file, following folders are created.

1.ETN Test Program

A program for setting IP before testing the ETN device

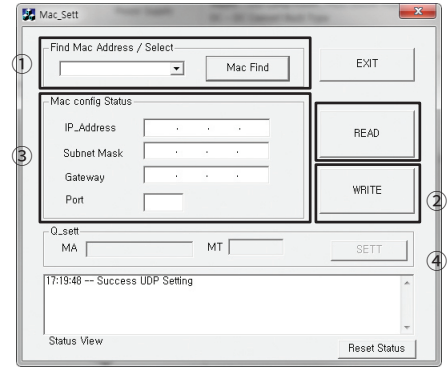
2.IP Set Program

A program for setting testing the ETN device


Applying the Ethernet Device

6. Run the "Mac_Setting.exe" program that is inside the IP Set Program Folder .

- ① When the program is running such as the right figure, click the "Mac Find" button in the "Find Mac Address / Select" section
 - MAC Address of the connected device appears when you click the Device List combo box.
 - (If the Mac Addr does not appear, make sure that the connection status or the power supply is functional and then retry.)
- ② Select the MAC Addr of the device you want to change, and then click on the "Read" button.
- ③ Check the information and settings from the "Mac config status"
- ④ Set the value of users network information identified in the previous chapter (subnet mask, gateway) in each text box, and set a different IP_Addr than your PC
Apply the settings by pressing the Write button
 - The port is set to "20000"by default and the port number can be changed if necessary
 - Reconnect After Disconnecting the power from the tower light.



7. ETN Test Program Files folder includes the followings.

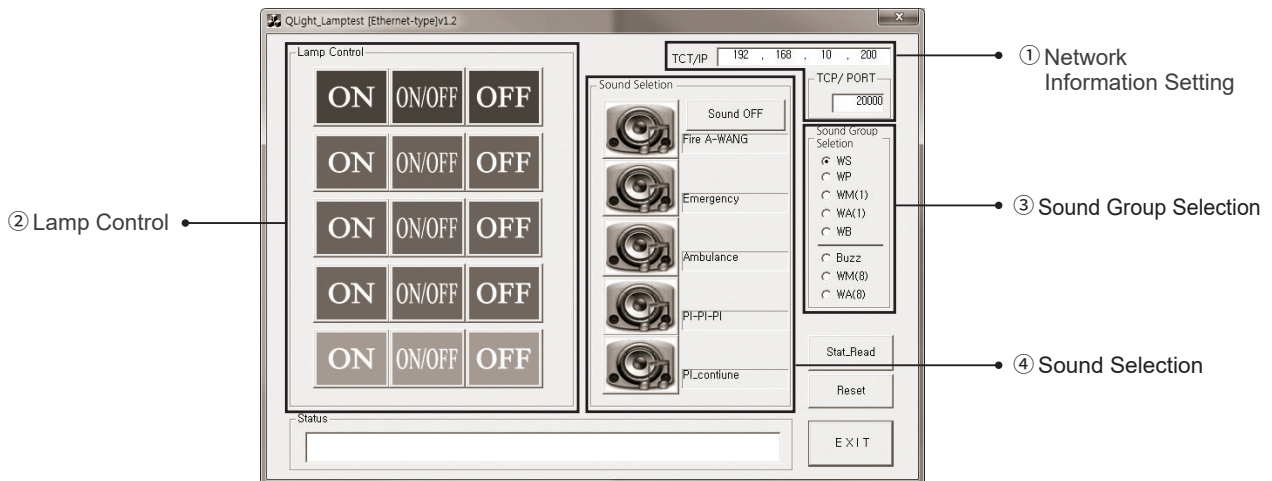
 **QLight_Lamptest_TCP.exe**
Test Program

 **QTvc_dll.dll**
Library required for the test program

8. Run the "QLight_Lamptest_TCP" program.

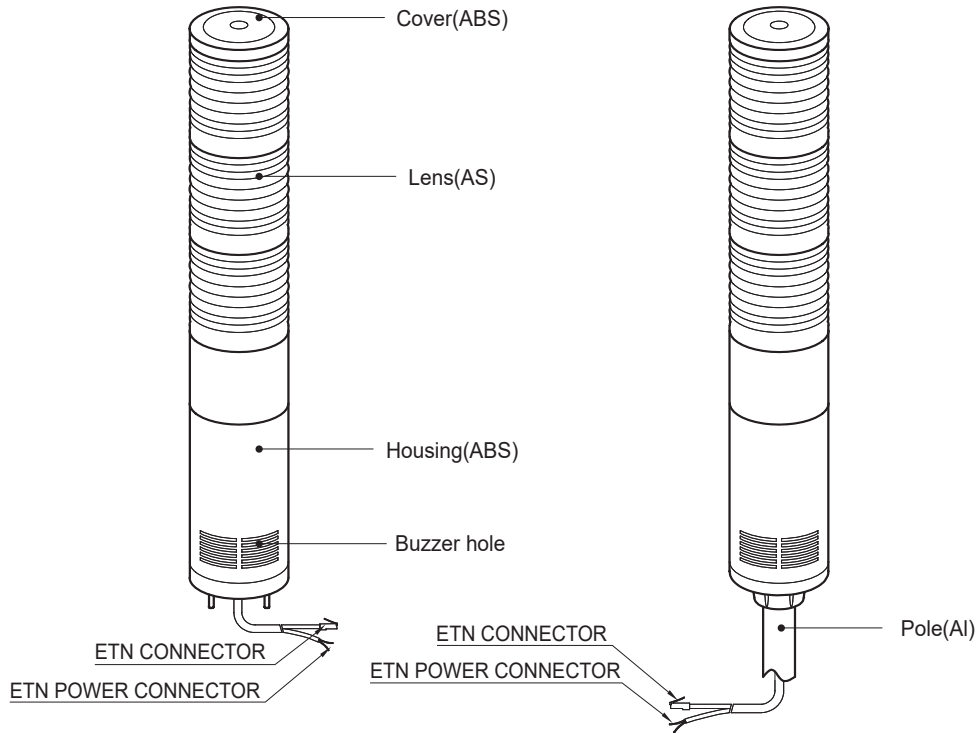
Article	Detailed specification
① Network information setting	- Input port on TCP/PORT and IP address on TCP/IP that set on Ethernet tower lights
② Lamp control	- ON : Click the button Lamp ON - ON/OFF : Click the button Lamp Flash - OFF : Click the button Lamp OFF
③ Sound group selection	- WS : 5 warning sounds(mono) - WP : 5 special warning sounds(mono) - WM(1) : 5 Melodies(mono) - WA(1) : 5 alarms(mono) - WB : Software Buzzer 5 sounds(speaker type) - Buzzer : 5 Buzzer sounds
④ Sound selection	- Select 5 sounds based on model which is fixed on Ordering Specifications

- User can select appropriate sound pattern by referring Ordering Specifications. There're WS, WM, and WA sound patterns and user can choose the option when placing order.

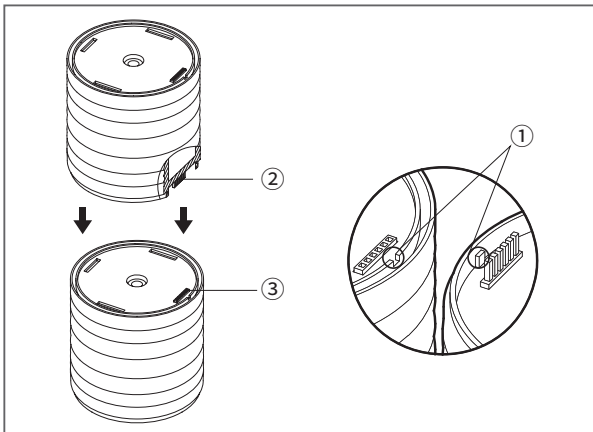


- Fill TCP/IP and TCP/PORT (① Network Information Setting) with IP address and port that has been setted in ethernet tower light.
- When click LAMP ON, correspond lamp turns on.
- When click LAMP OFF, correspond lamp turns off.
- Please choose appropriate sound pattern group by referring ③ Sound Group Selection area.
- You can choose sound pattern by referring ④ Sound Selection.
- Tower lamp plays sound when SOUND button is pressed.
- Tower lamp stops sound when SOUND OFF button is pressed.

Parts Definition



How to Change Lens Kit



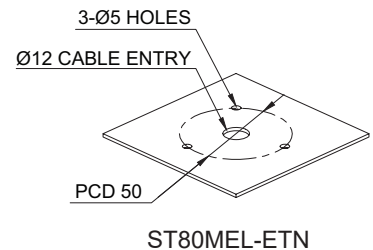
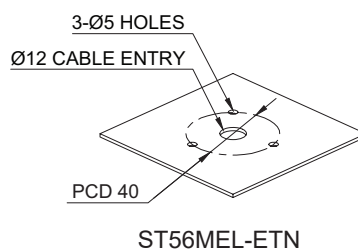
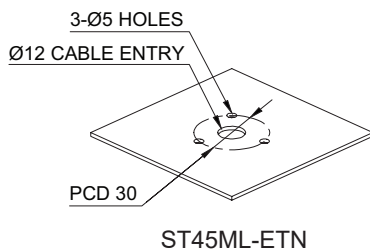
- When rearranging or replacing the lens kits, please be aware of the contact point ① and the connector pin ② marked in the diagram on the left.
- Press down to assemble the lens kits while making sure that connector pin ② and connector ③ aligns correctly.
- Please make sure that the rubber spacer placed on the top of each lens kit is tightly secured to the bottom of the other lens kit.

※ Caution when lens kit

- Lens kits are connected with connector pins each other. Bad connection may be experienced when the connector pins are touched with a foreign substance.
- If the lens kits are not turned on or not flashed after lens kits replacement, please make sure status of lens kit connection.

Mounting Hole Specifications

① Machine holes on the mounting surface referring to the diagram below.



- ② Remove the flange nuts from bolts and place the product through the mounting surface holes.
- ③ Fasten the flange nuts on the opposite side of the mounting surface until the product is tightened securely.

Installation Environment and Protection Rating

- This product is designed for use with protection rating of IP23.
- If the product is installed in locations that subject it to excessive dust or water other than the designated IP protection rating indicated(IP23), it may cause malfunction or damage to the product.
- For further information, please visit our website (www.qlight.com).

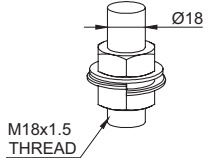
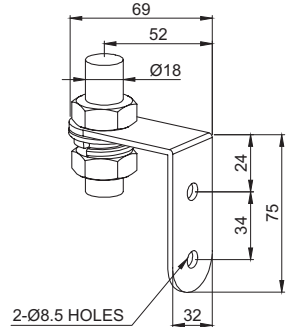
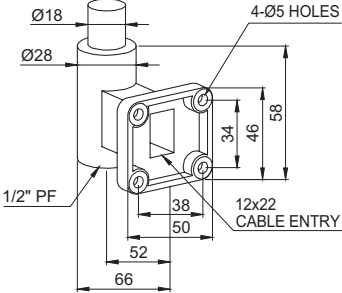
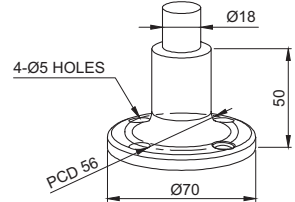
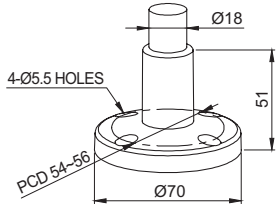
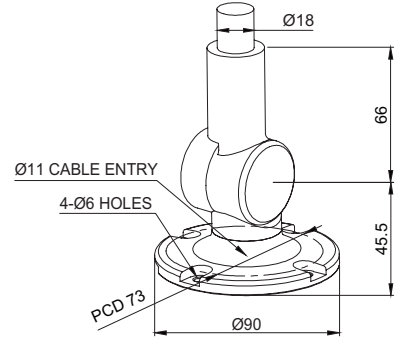
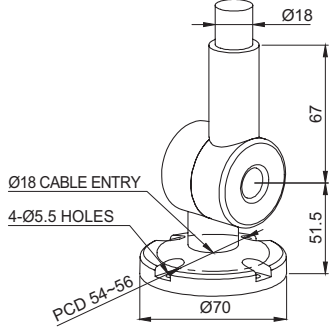
Mounting Accessories (Sold Separately)

- Please refer to the dimensions below for installation of mounting brackets

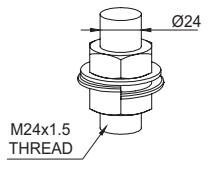
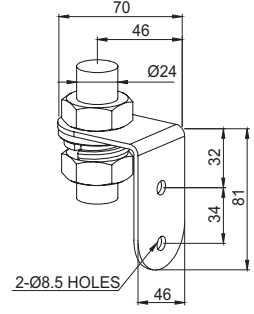
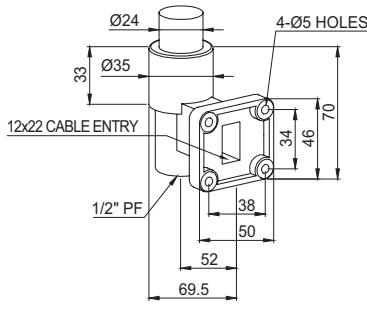
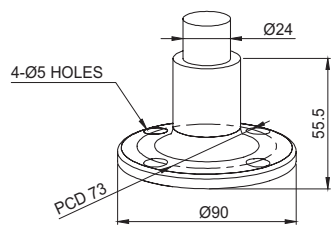
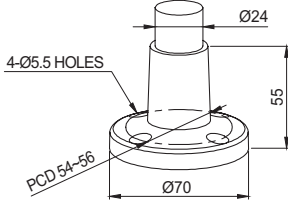
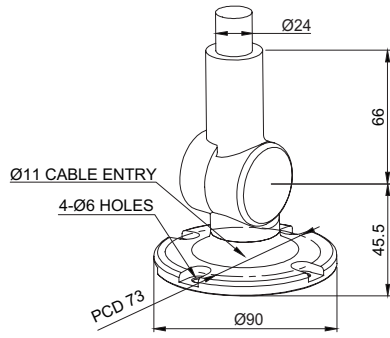
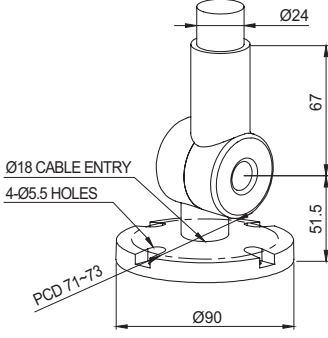
■ ST45ML-ETN/ ST56MEL-ETN/ ST80MEL-ETN - Direct Mounting Type Model

	Dimensions	
ST45ML-ETN ST56MEL-ETN	<p>TWS45</p>	<p>TWA45</p>
ST80MEL-ETN	<p>TWS80</p>	<p>TWA80</p>

■ ST45L-ETN/ ST56EL-ETN - Pole Mounting Type Model

Dimensions	
<p>ST45L-ETN ST56EL-ETN</p>  <p>M18x1.5 THREAD</p> <p>Ø18</p> <p>18mm SCREW & NUT</p>	 <p>69</p> <p>52</p> <p>Ø18</p> <p>24</p> <p>34</p> <p>75</p> <p>32</p> <p>2-Ø8.5 HOLES</p> <p>LB18</p>
 <p>Ø18</p> <p>Ø28</p> <p>4-Ø5 HOLES</p> <p>1/2" PF</p> <p>34</p> <p>46</p> <p>58</p> <p>38</p> <p>50</p> <p>12x22 CABLE ENTRY</p> <p>52</p> <p>66</p> <p>LW18</p>	 <p>Ø18</p> <p>4-Ø5 HOLES</p> <p>PCD 56</p> <p>Ø70</p> <p>50</p> <p>SZ18</p>
 <p>Ø18</p> <p>4-Ø5.5 HOLES</p> <p>PCD 54-56</p> <p>Ø70</p> <p>51</p> <p>QZ18</p>	 <p>Ø18</p> <p>Ø11 CABLE ENTRY</p> <p>4-Ø6 HOLES</p> <p>PCD 73</p> <p>Ø90</p> <p>66</p> <p>45.5</p> <p>SL18</p>
 <p>Ø18</p> <p>Ø18 CABLE ENTRY</p> <p>4-Ø5.5 HOLES</p> <p>PCD 54-56</p> <p>Ø70</p> <p>67</p> <p>51.5</p> <p>QL18</p>	

■ ST56EL-ETN - Pole Mounting Type Model

Dimensions	
<p>ST80EL-ETN</p>	 <p>M24x1.5 THREAD</p> <p>Ø24</p> <p>24mm SCREW & NUT</p>
	 <p>70 46 Ø24 81 34 46 2-Ø8.5 HOLES</p> <p>LB24</p>
	 <p>Ø24 33 Ø35 12x22 CABLE ENTRY 1/2\" PF 4-Ø5 HOLES 70 34 46 38 50 52 69.5</p> <p>LW24</p>
	 <p>Ø24 4-Ø5 HOLES PCD 73 Ø90 55.5</p> <p>SZ24</p>
	 <p>Ø24 4-Ø5.5 HOLES PCD 54-56 Ø70 55</p> <p>QZ24</p>
	 <p>Ø24 Ø11 CABLE ENTRY 4-Ø6 HOLES PCD 73 Ø90 45.5 66</p> <p>SL24</p>
	 <p>Ø24 Ø18 CABLE ENTRY 4-Ø5.5 HOLES PCD 71-73 Ø90 51.5 67</p> <p>QL24</p>

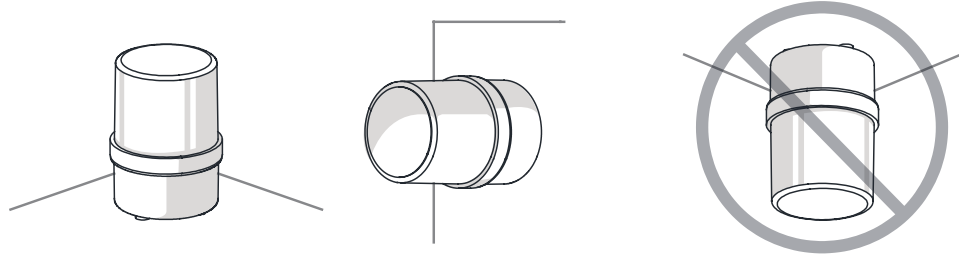
Product installation direction

- Install the product in accordance with the manual. Otherwise rainwater or moisture may penetrate into the product.

· BEACON/SIGNALING LIGHT

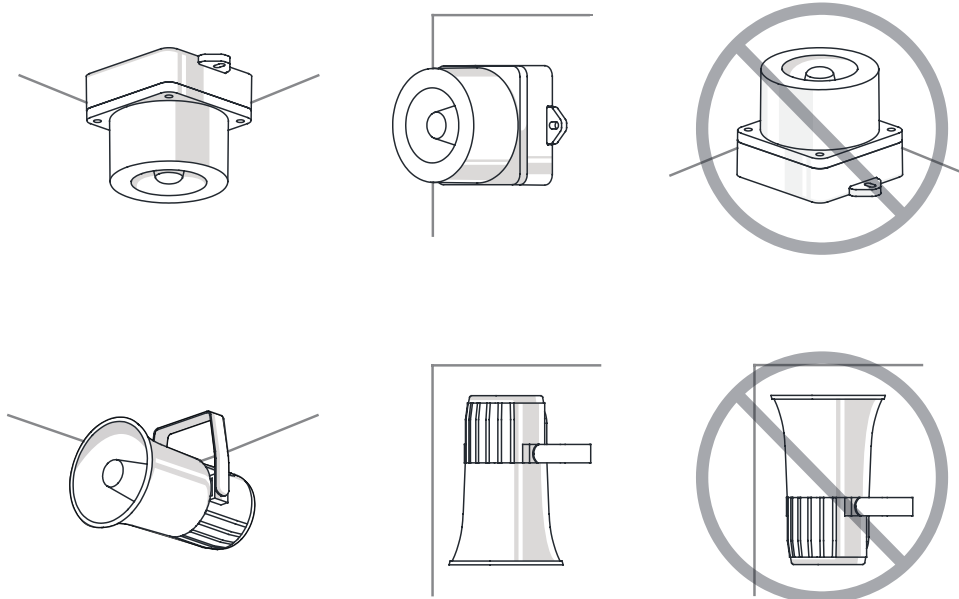
※ For products with a protection rating of less than IPX4, please install it vertically.

Power cord inlet part shall not be facing the sky.



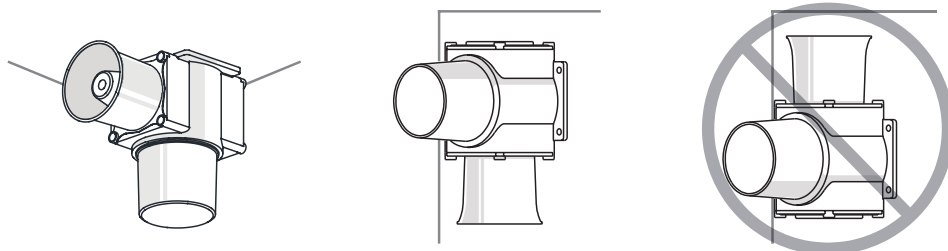
· ELECTRONIC SOUNDER/SIGNAL HORN

Sounder part shall not be facing the sky.



· HEAVY-DUTY & EXPLOSION PROOF SIGNALINGS

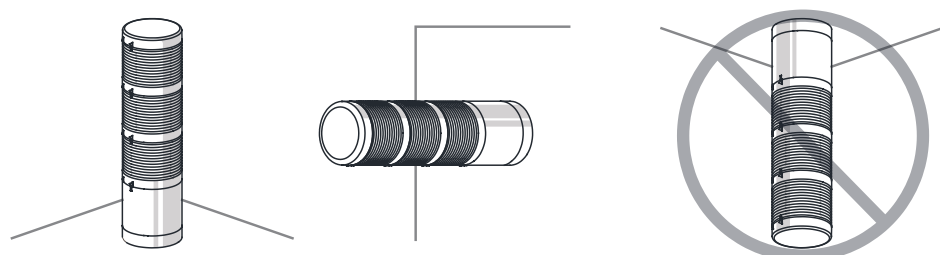
Sounder part shall not be facing the sky.

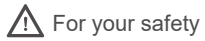


· SIGNAL TOWER LIGHTS

※ For products with a protection rating of less than IPX4, please install it vertically.

Power cord inlet part shall not be facing the sky.





For your safety

Specification and dimensions listed in this catalogue subject to change without notice for product quality improvement.
The newest product information is available on our website.(www.qlight.com)
Please read the instruction manual attached to the product carefully before installation and use.

Qlight Co., Ltd. www.qlight.com | trade@qlight.com

Head Office | Suite #1510, STX-V Tower, 128 Gasan digital 1-ro, Geumcheon-gu, Seoul, Korea

Tel. +82-2-2679-6152(Toll free. +82-80-328-2222) Fax. +82-2-2679-6154

Factory | 185-25, Mukbang-ro, Sangdong-myeon, Gimhae-si, Gyeongsangnamdo, Korea Tel. +82-55-328-1111(Toll free. +82-80-328-1111)

Qlight Overseas Sales Dept | 704 Nakdong-daero, Sasang-gu, Busan, Korea(Eomgung-Dong) Tel : +82-51-620-4100

Qlight Public Relations & Marketing Team Office | 704 Nakdong-daero, Sasang-gu, Busan, Korea(Eomgung-Dong) Tel. +82-51-245-0017

SHANGHAI Qlight Electronic Co., Ltd. www.qlight.com www.qlightcn.com | qlightcn@qlight.com

China Factory/ Shanghai Sales Office | #Room 333 Building B, #11, Lane 450, Zhenda Road, Baoshan District, Shanghai, China

Tel. +86-21-6651-7100 Fax. +86-21-6315-3929

China Factory Site 2 (Qidong) | #33, Haiyan Road, Qidong High-tech Industrial Development Zone, Qidong, Jiangsu Province, China

Tel +86-513-8384-9999 Fax +86-513-8384-9910

Qlightec
Innovation in Alarm & Signal

Product Operation Inquiry / Customer Support +82-51-620-4100

You can expect prompt service if you have exact information such as model name, symptom, telephone number and address.

※ALL PRODUCT, PRODUCT SPECIFICATIONS AND DATA ARE SUBJECT TO CHANGE WITHOUT NOTICE TO IMPROVE RELIABILITY, FUNCTION OR DESIGN OR OTHERWISE.

Head office : Suite #1510, STX-V Tower, 128 Gasan digital 1-ro, Geumcheon-gu, Seoul, Korea (Postal Code : 08507)

Factory : 185-25, Mukbang-Ro, Sangdong-Myeon, Gimhae-Si, Gyeongsangnam-Do, Korea (Postal Code : 50805)

www.qlight.com

EN - ST45ML-ETN - 2409A