

Receiver

Society
 Reference
 Address
 Phone
 Fax
 E-mail

Item n° :

102660020

Model :

JET 82 M

Pump data

Pressure rating : 6 bar (600 kPa)
 Min. fluid temperature : 0 °C
 Max. fluid temperature : 35 °C
 Max. Ambient temperature : 40 °C

Priming capacity :

H m	2	3	4	5	6	7	8	9
Q m³/h	3,0	2,7	2,4	2,2	1,9	1,7	1,3	1,0

Requested data

Flow : 0,00 m³/h
 Head : 0,00 m
 Fluid : Water
 Fluid Temperature : 20 °C
 Density : 0,99819 kg/dm³
 Kinematic viscosity : 1,0004 mm²/s
 Vapor pressure : 2,20 kPa

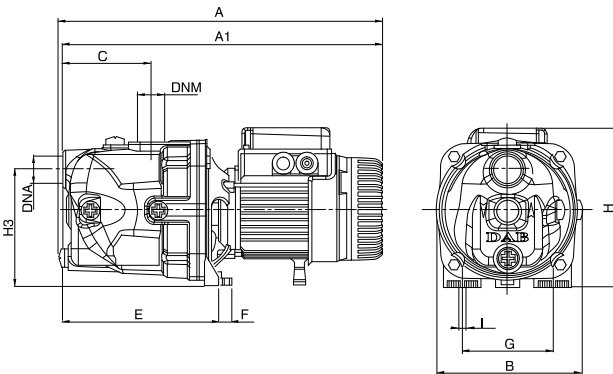
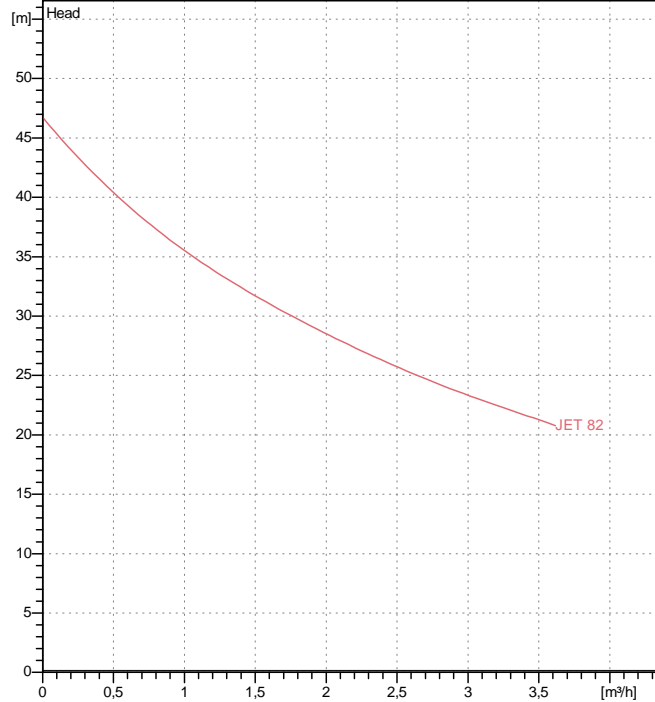
Hydraulic data (duty point)

Flow :
 Head :

Materials

Pump body : Cast iron 200 UNI ISO 185
 Support : Die cast aluminium
 Impeller : Technopoly mer A
 Mechanical seal : Carbon/Ceramic
 OR ring : NBR Rubber
 Shaft with rotor : AISI 416 X12 CrS 13 UNI 6900/71
 Nozzle venturi dif fuser assembly : Technopoly mer A

Curve tolerance according to ISO 9906



Motor data

Motor brand : DAB
 Nominal power P2 : 0,6 kW
 Rated speed : 2750 1/min
 Rated voltage : 1~ 220-240 V 50 Hz
 Nominal current : 3,8 A
 Degree of protection : IP 44

Dimensions in

mm

A	395	DNA	1" G	G	111		
A1	395	DNM	1" G	H	193		
B	178	E	192	H3	144		
C	108	F	14	IO	9		

Weight : 10,7 kg

Pump connection

Suction side : 1 " G / 6 bar (600 kPa)
 Discharge side : 1 " G / 6 bar (600 kPa)



WATER • TECHNOLOGY

PERFORMANCE CURVES

2017-02-07

Page 2 / 3

DAB PUMPS S.p.A.
Via Marco Polo, 14 - 35035 Mestrino (PD), Italy
Tel. +39 049 5125000 - Fax +39 049 5125950
www.dabpumps.com

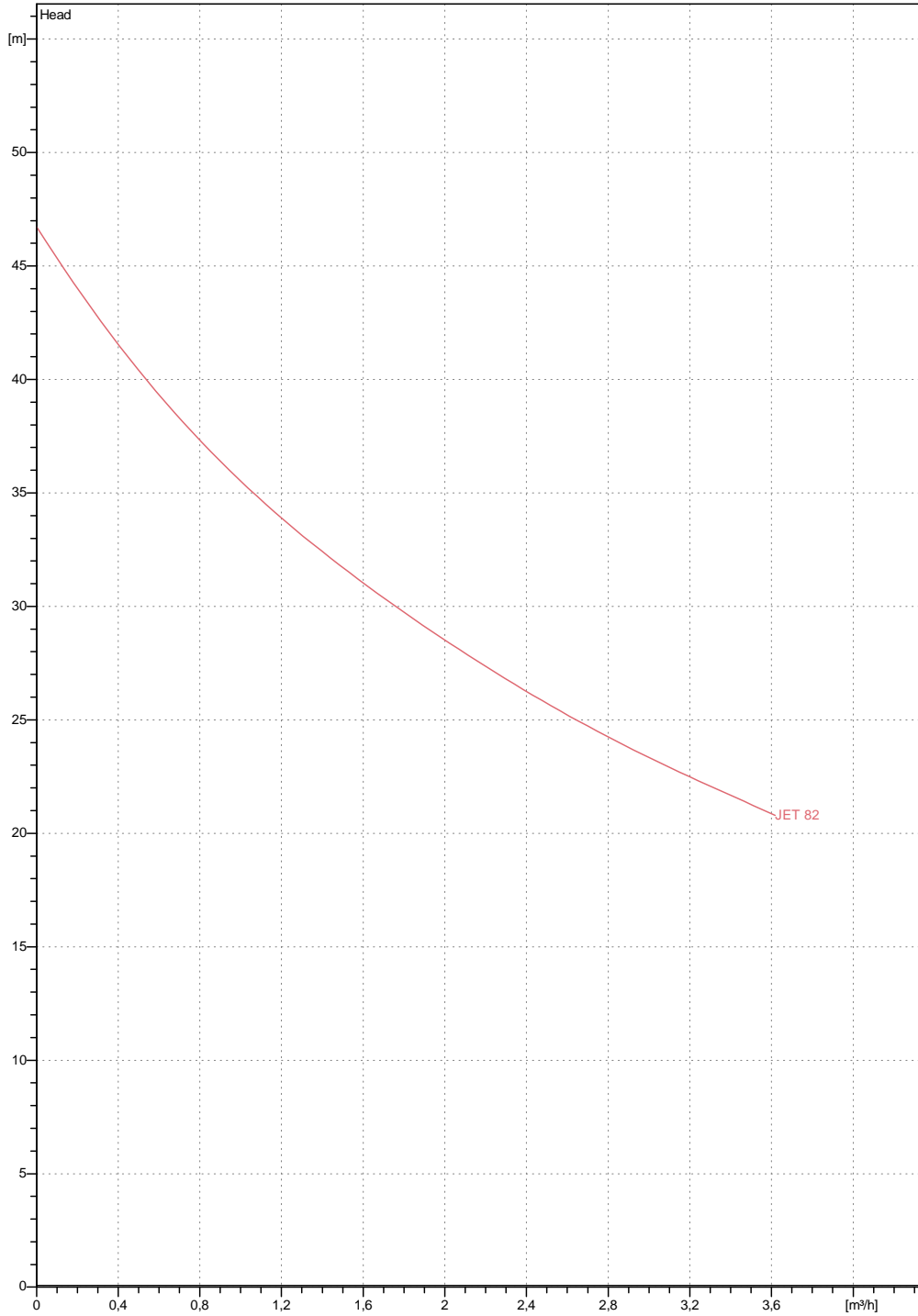
Receiver

From

Society
Reference
Address
Phone
Fax
E-mail

JET 82 M

Curve tolerance according to ISO 9906



Hydraulic data (duty point)

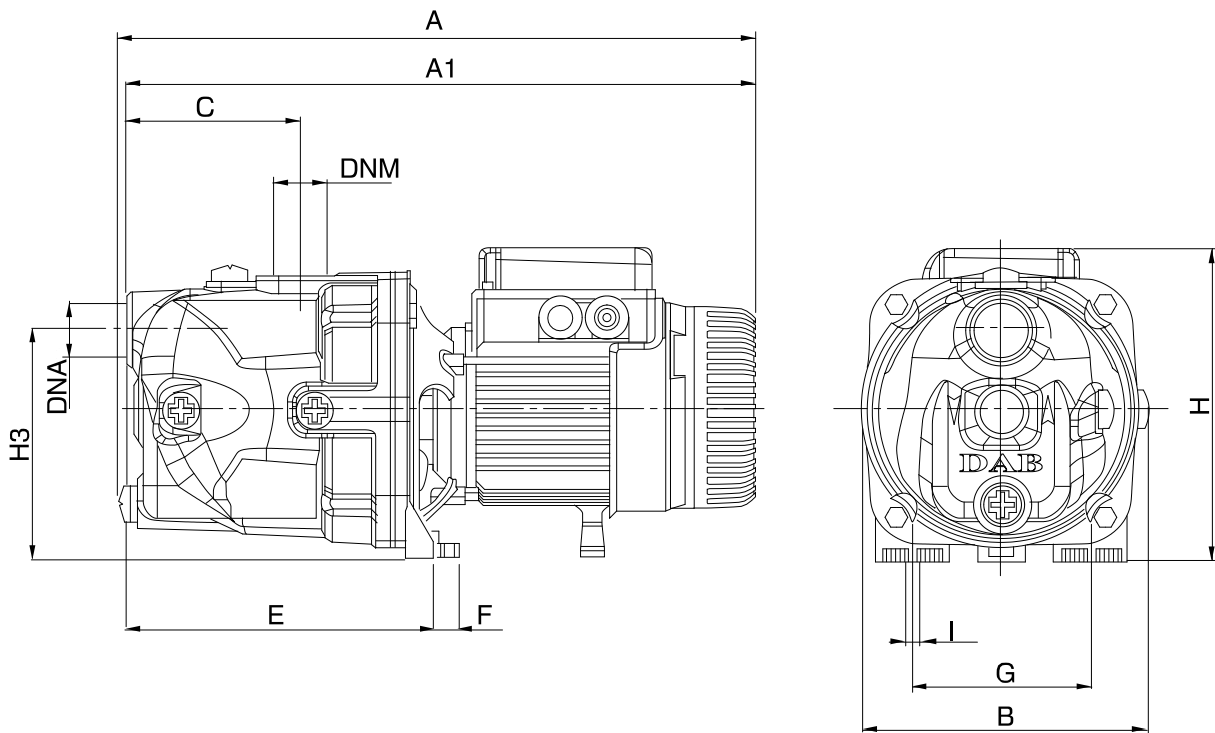
Suction side : 1 " G 6 bar (600 kPa)	Discharge side : 1 " G 6 bar (600 kPa)	Flow : 0 m³/h	Head : 0 m	Rated speed : 2750 1/min
Project	Project ID	Created by	Created on 2017-02-07	

Receiver

From

Society
 Reference
 Address
 Phone
 Fax
 E-mail

JET 82 M


Dimensions in mm

1	A	395	H3	144		
2	A1	395	I O	9		
3	B	178				
4	C	108				
5	DNA	1" G				
6	DNM	1" G				
7	E	192				
8	F	14				
9	G	111				
10	H	193				

Pump connection

Suction
 1 " G
 6 bar (600 kPa)

Discharge
 1 " G
 6 bar (600 kPa)

Project

Project ID

Created by

Created on

2017-02-07