

# KT5101



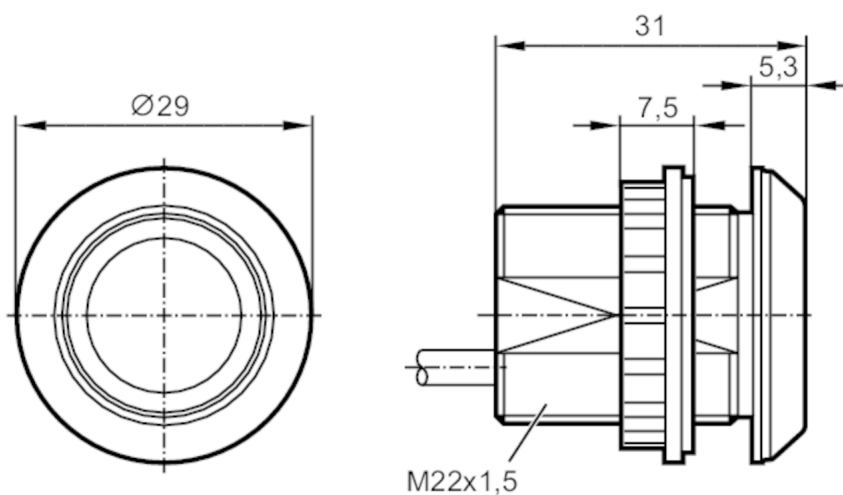
## Capacitive illuminated pushbutton

KTMDF-K-RBPKG/0,3M

Article to be discontinued

Alternative articles: KT5111

When selecting an alternative article and accessories please note that technical data may differ!



### Product characteristics

Electrical design	PNP
Output function	normally open
Dimensions [mm]	Ø 29 / L = 31

### Application

Principle of operation	dynamic
------------------------	---------

### Electrical data

Operating voltage [V]	12...30 DC
Current consumption [mA]	30
Protection class	III
Reverse polarity protection	yes
Max. power-on delay time [ms]	500

### Outputs

Electrical design	PNP
Output function	normally open
Permanent current rating of switching output DC [mA]	200
Short-circuit protection	yes
Overload protection	yes
Length of output signal [ms]	300

### Reaction times

Response time [ms]	35
--------------------	----

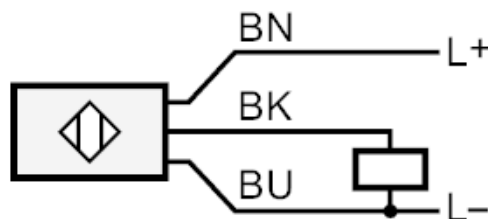
# KT5101



## Capacitive illuminated pushbutton

KTMDF-K-RBPKG/0,3M

Operating conditions		
Ambient temperature	[°C]	-40...85
Protection		IP 65; IP 67; IP 69K; (on the front)
Tests / approvals		
MTTF	[years]	352
Mechanical data		
Weight	[g]	40.5
Dimensions	[mm]	Ø 29 / L = 31
Material		PA 6.6-GF30 black; actuating surface: PA Grilamid TR 90UV
Displays / operating elements		
Display	Switching status	1 x LED, red
	Power	1 x LED, green
Accessories		
Items supplied		lock nuts: 1
		Gasket: 1
Accessories (optional)		Symbol disc
Remarks		
Pack quantity		1 pcs.
Electrical connection		
Cable: 0.3 m, PUR		
Connection		



Core colors :

- BK = black
- BN = brown
- BU = blue