

ZETFON 400/310

The ZÖLLNER ZETFON 400/310 is a robust electrically operated whistle which is equally suitable for all types of merchant vessels as well as luxury yachts. The whistle operates on 24 V DC or on 230 V AC 1phase plus 24 V DC emergency supply.

Essential information:

- » full compliance with the COLREGS 1972, Annex III
- » type approved by all wellknown international authorities and classification societies
- » system voltage: 24 V DC or 230 V AC 1phase plus 24 V DC emergency supply possible.
- » entirely made of best non-corrosion, seawater resistant materials

Application:

- » vessels of class III (20 m but less than 75 m in length)
- » land alarm, i.e. bunker stations, oil refineries, airports, power plants, factories

Options:

- » body heating for cold areas

Advantages:

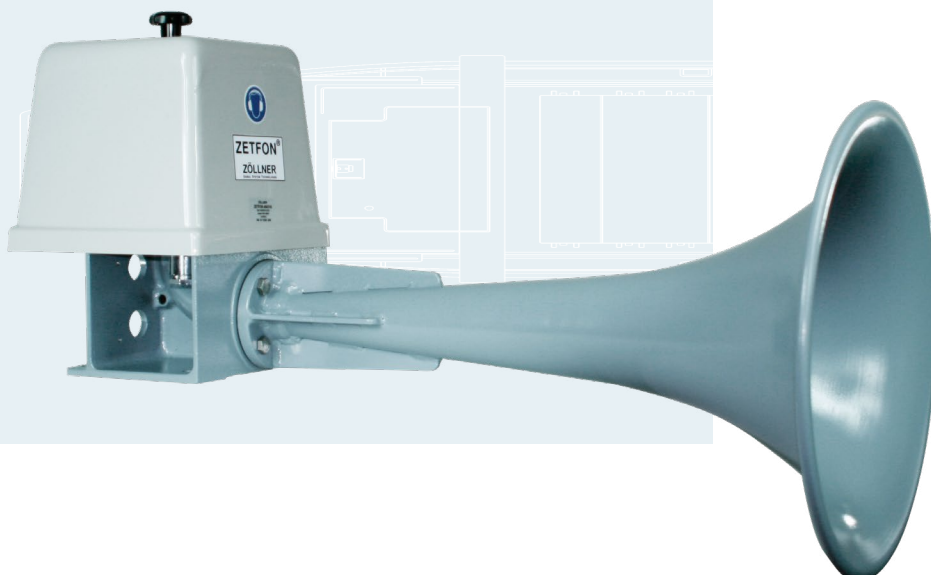
- » decades of experience
- » best material and workmanship - made in Germany
- » 90 degrees bent aluminum sound horn allows optimum discharge of spray, flood, condensation water or melted snow
- » standby heating to avoid condensed water
- » body heating for cold areas available on request
- » control and amplifier unit provided with protection against cross-connection of terminals
- » low power consumption of 500 W

Sound Characteristics

- » broad frequency spectrum with many higher harmonics
- » signals with strong overtones for best penetration of background noise level: Even when a background noise covers the actual basic frequency the residual tone forms a parent frequency in the human hearing. Two or three harmonics are sufficient for the hearing to perceive the basic frequency.
- » sound frequency of 310 Hz very advantageously ranks in the lower admissible range (250-700 Hz)

Easy Installation:

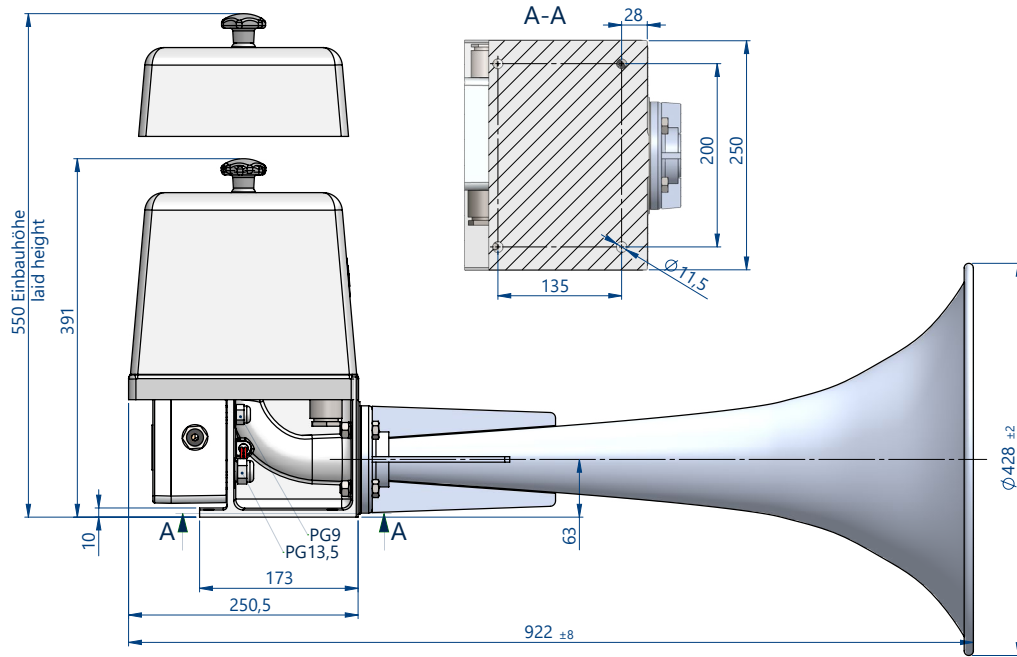
- » only one two-core cable required for standard design
- » relatively low weight
- » simple but mature design
- » easy exchange of all parts with onboard tools



Technical information

Positioning and installation

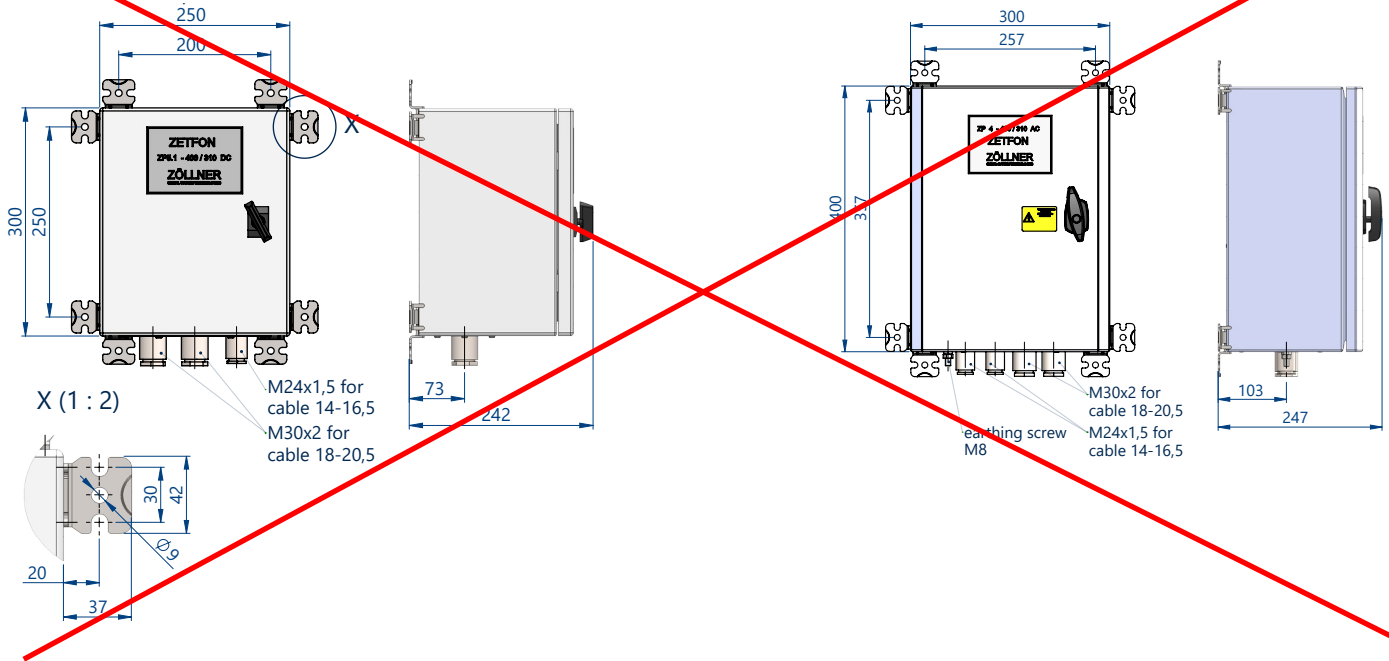
Positioning as high as practicable on the vessel to reduce interception of the emitted sound by obstructions and to avoid hearing damage risk to the personnel. The sound pressure level of a vessel's own signal at listening posts must not exceed 110 dB(A).



400/310 AC weight approx. 19,7+18 kg
 400/310 DC weight approx. 19,7+5,9 kg

Control and amplifier unit ZP5.1 for ZETFON 400/310 DC

Control and amplifier unit ZP4 for ZETFON 400/310 AC



06100123EN3 • 05/22 • Subject to alteration!

TYPE	SHIP LENGTH	VOLTAGE	FUNDAMENTAL FREQUENCY	SOUND INTENSITY IN 1/3RD-OCT. BAND LEVEL AT 1 M (MIN. 130 DB ACC. TO IMO)	TYPE APPROVAL	MAX INPUT SOUNDING	STANDBY HEATING	BODY HEATING (OPTION)	PROTECTION TYPE
400/310 AC	20-<75 m	230 V AC +24 V DC	310 Hz	130 dB	✓	500 W	20 W	100 W	IP 56
400/310 DC	20-<75 m	24 V DC	310 Hz	130 dB	✓	500 W	-	30 W	IP 56