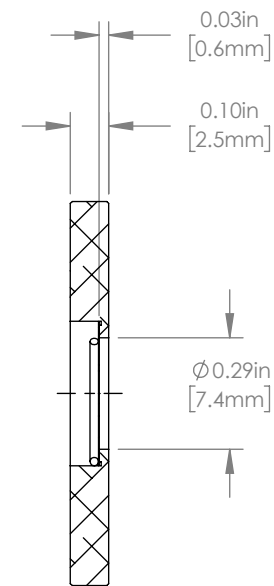
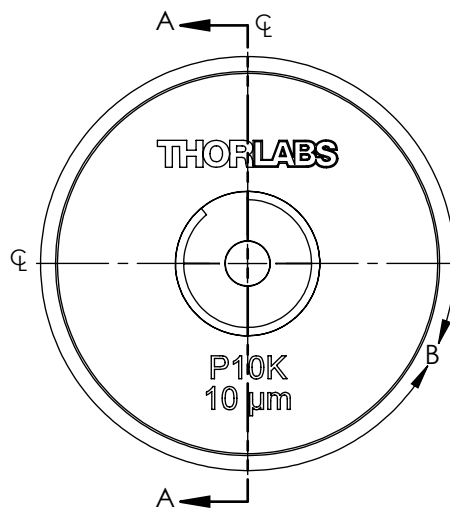


DETAIL B
SCALE 2 : 1



ISOMETRIC VIEW
2 : 1



SECTION A-A
SCALE 2 : 1

FOR INFORMATION ONLY
NOT FOR MANUFACTURING PURPOSES

DRAWING PROJECTION				THORLABS www.thorlabs.com	
NAME	DATE	Stainless Steel Pinhole 10 μm			
DRAWN	DB	31/Mar/21	MATERIAL		REV
APPROVAL	PB	08/Apr/21	Foil: Black 300 Series SS		A
COPYRIGHT © 2021 BY THORLABS					
VALUES IN PARENTHESIS ARE CALCULATED AND MAY CONTAIN ROUND OFF ERRORS					
ITEM #	P10K		APPROX WEIGHT		5 g