

N° :

Date : 22 oct. 2018

### Induction motor Commander ID with options

4P LSES 90L 1,5kW IFT/IE2 B5 ID300-14033 -

1 set of 3 probes PTC (winding) ; Potentiometer + LED (ID-POT\_LED\_FLANGE) ; - ;

**Utilisation :** Environment Current ; Ambiance Non corrosive ; Finition - ; Zone Non specific ; General applications ; Ambient temperature -16 +40 °C ; Maximum altitude 1000 m.

**Motor characteristics :** Aluminium alloy housing ; Cast iron DE endshield ; Aluminium alloy NDE endshield.



### Motor definition

Protection type	-	Application	General applications
Generation code	IFT	Main voltage (V)	400
Efficiency class	IE2	Connection	Y
Number of network phases	3		
Number of speed	Variable speed		
Polarity	4P	Operation position	IM3001(IMB5)
Motor serie	LSES	Index of protection	IP55
Frame size (mm)	90	Index of cooling	IC411
Lenght code	L	Insulation class	F
HS rated power (kW)	1.500	Finish	-
	-	Moment of inertia J (kg.m <sup>2</sup> )	0.0041800
Rated speed (min-1)	1440	Motor weight (kg)	21.2
Maximum mechanical speed (min-1)	11700		

### Inverter definition

Inverter serie	ID300	Supply voltage	4
Inverter size	1	Inverter caliber	033

### Common definitions

Paint shade	RAL6000	Paint shade ID300	RAL7016
Paint system	1a (1 polyurethane coat 20/30 microns)		

### Motor mechanical interface

Mounting flange	FF165	Shaft material type	Steel shaft
Drive end shaft type	IEC STANDARD shaft end	Nuance of shaft material	-
Diameter DE shaft (mm)	24j6	Second shaft extension	-
Length DE shaft (mm)	50	Diameter NDE shaft (mm)	-
DE bearing mounting	Locked	Second shaft end length (mm)	-
DE bearing type	DE ball bearing	NDE bearing type	NDE ball bearing
DE bearing	6205	NDE bearing	6204
Code Type de graissage	Vie		

N° :

Date : 22 oct. 2018

**Induction motor Commander ID with options - 4P LSES 90L 1,5kW IFT/IE2 B5 ID300-14033 -**

**Motor options**

Vibration level	A (25µm ; 1.6mm/s ; 2.5m/s²)	Cover	Plastic cover
Balancing type	Half-key (H)	Drip proof cover option	-
Impregnation type	< 95% ; -16+40°C (T)	cooling type	-
Winding thermal protection	1 set of 3 probes PTC (winding)	Forced ventilation characteristics	-
Space heater	-	Encoder type	-
Draining plugs position	6H	Encoder characteristics	-
Nameplate material	Aluminium nameplate	Screw material	Steel screw
Endshield thermal protection	-	Adaptation for vibration sensor	-
Reinforced winding insulation	-		

**Inverter options (Supplied assembled)**

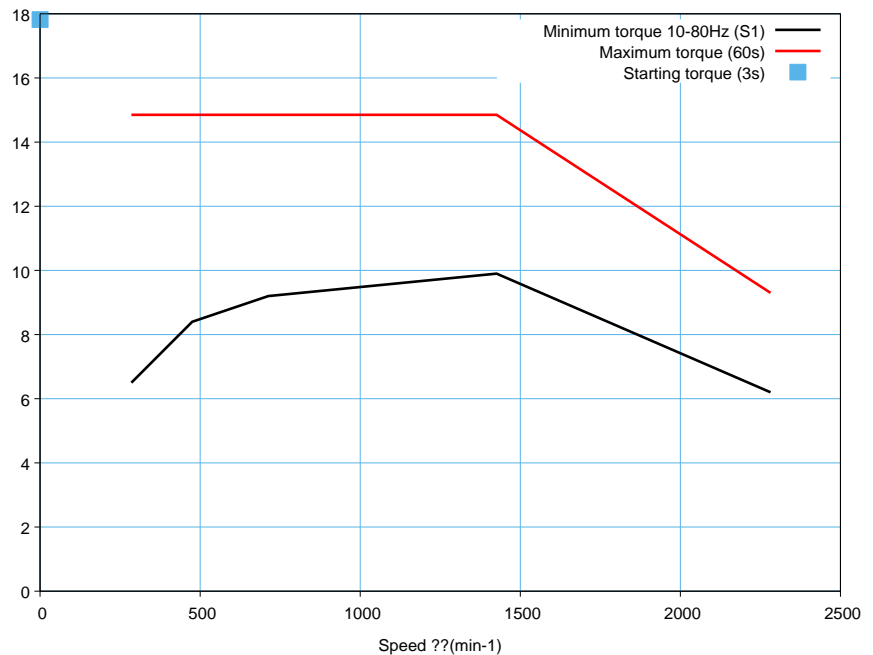
Local control	Potentiometer + LED (ID-POT_LED_FLANGE)	Connection network position	A (up)
Inverter forced ventilation	-	Principal cable gland position	Right (1)
Braking resistor	-	Connection network type	M25+M20+2xM16 ; With plugs (ID-4 CABLE FLANGE)
Rectifier	-		

**Inverter options (Supplied non assembled)**

Fieldbus interface	-	EMC Filter	-
Local display	-	Main cable gland type	-

**Motor characteristics (supplied via drives)**

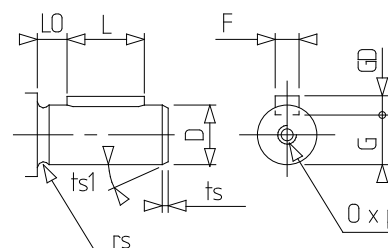
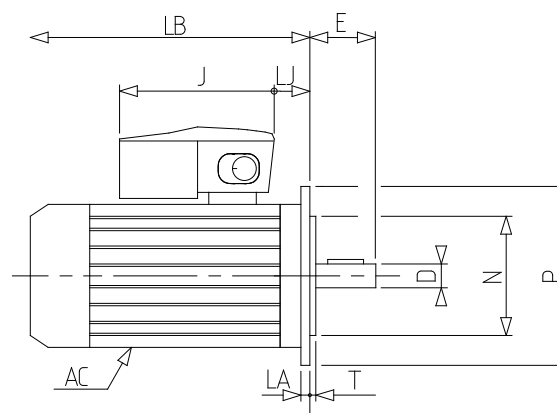
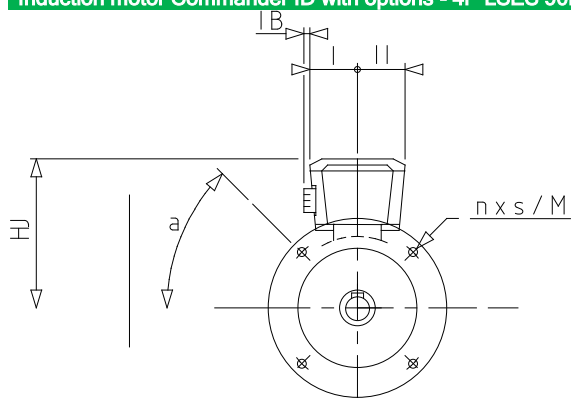
Rated speed (min-1)	1440
Rated torque	9.90
Maximum torque (60s)	14.85
Starting torque (3s)	17.82
Rated Frequency (Hz)	50
Switching frequency	3
Ambient temperature	40
Acoustic pressure level (dB(A))	47



N° :

Date : 22 oct. 2018

Induction motor Commander ID with options - 4P LSES 90L 1,5kW IFT/IE2 B5 ID300-14033 -



<b>a</b>	45
<b>AC</b>	189.00
<b>D</b>	24j6
<b>E</b>	50
<b>F</b>	8
<b>G</b>	20
<b>GD</b>	7
<b>HJ</b>	196.0
<b>I</b>	75
<b>II</b>	75
<b>IB</b>	18
<b>J</b>	217.0
<b>L</b>	40
<b>LA</b>	10
<b>LB</b>	265.0
<b>LJ</b>	29.9
<b>LO</b>	6
<b>M</b>	165
<b>N</b>	130
<b>n</b>	4
<b>O</b>	M8
<b>P</b>	200
<b>p</b>	19
<b>rs</b>	0.5
<b>S</b>	12
<b>T</b>	3.5
<b>ts</b>	2
<b>ts1</b>	20