

TE-3-MD-HC SERIES - 1/25 HP

APPLICATIONS

Operating reliability and flexibility are the hallmarks of the Little Giant TE-3-MD-HC Series chemical transfer pumps. Typical industrial applications include corrosive solutions and solvents with high abrasive concentrations. This pump also features a 1/25 hp enclosed, fan-cooled (TEFC) motor for added safety and heavy-duty performance.

FEATURES

- 1/25 hp TEFC motor
- Glass-filled polyphenylene sulfide magnet housing and volute
- 1.1 specific gravity
- Fluoroelastomer (FKM) O-ring
- Ceramic thrust washers and shaft
- Run dry capability up to 8 hours



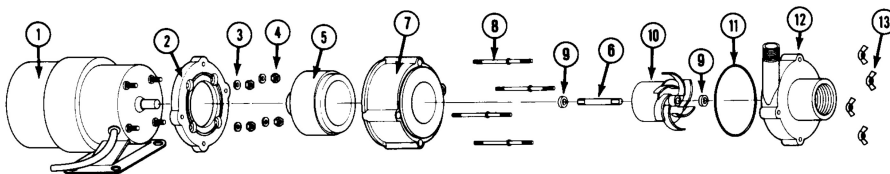
TE-3-MD-HC



SERIES SPECIFICATIONS

Model No.	Item No.	Discharge	HP	Volts	Hertz	Amps	Watts	Performance (GPM@Head)					Flow Rate at 1'	Shutoff	
								1'	3'	6'	9'	15'		Ft.	m
TE-3-MD-HC	581614	1/2" MNPT	1/25	230	50/60	1.3	107	9.8	9.2	8.1	6.5	2.6	9.75	16.3	4.97
TE-3-MD-HC	581604	1/2" MNPT	1/25	115	60	1.3	107	9.8	9.2	8.1	6.5	2.6	9.75	16.3	4.97

NOTE: Parts A-F contact fluid



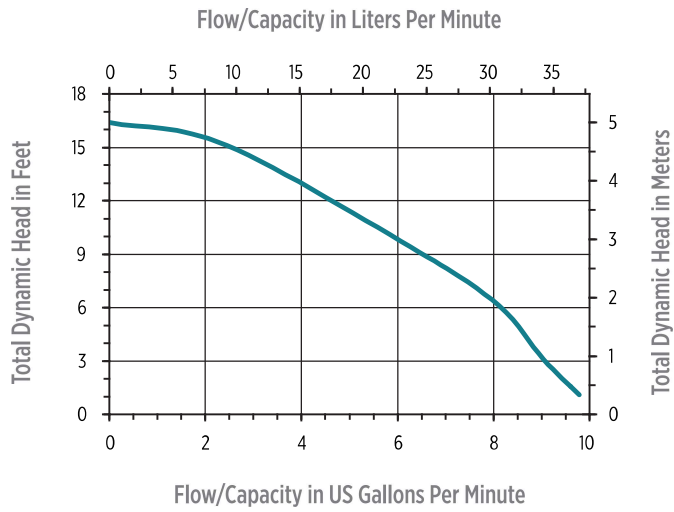
REPLACEMENT PARTS

Item	Part No.	Description
1	977339	Motor, 115 volt
	977915	Motor, 230 volt
2	180042	Adaptor, w/base
3	921075	Washer, flat, #8
4	920006	Nut, hex, #8-32
5	182602	Drive magnet assembly
6	180057	Shaft, ceramic
7	182006	Housing, magnet
8	911403	Stud, collared
9	921077	Washer, thrust
10	181148	Impeller w/bushing assy.
	181151	Impeller w/mica bushing
11	924008	O-ring, FLUORELASTOMER (fkm)
12	180080	Volute
13	920003	Nut, wing #8-32

SPECIALTY PUMPS

TE-3-MD-HC SERIES - 1/25 HP

PERFORMANCE DATA



3-MD-HC SERIES - 1/12 HP

APPLICATIONS

The Little Giant MD-HC series features leakproof, seal-less magnetic drives and are designed for in-line, non-submersible use. Volute, magnet housing and impeller are glass-filled Ryton® for excellent chemical resistance. Ceramic shaft and thrust washers are 99.5% pure alumina for excellent wear and trouble-free service. Pumping heads are easily rotated, cleaned or serviced with no special tools required. Spindle shaft is supported at both ends to prevent impeller damage during start-up and stop of pump.

FEATURES

- Thermally protected, open, fan-cooled motor
- Ball bearings
- 6' power cord with 3-prong plug (no plug on 230V)
- Specific gravity to 1.1
- Fluid temperature to 200°F
- Ambient air temperature to 77°F
- Run-dry capability up to 8 hours

NOTE: Consult your local distributor or the factory for applications with higher ambient temperatures, specific gravities and viscosities.

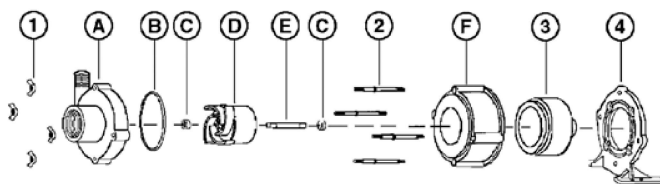


3-MD-HC



SERIES SPECIFICATIONS

Model No.	Item No.	Intake Size	Discharge Size	Listing(s)	HP	Volts	Hertz	Amps	Watts	Performance (GPM@Head)					Shutoff		Power Cord (ft.)	Weight (lbs.)
										1'	3'	6'	9'	15'	Ft.	P.S.I.		
3-MD-HC	581603	3/4" FNPT	1/2" MNPT	UR/C-CSA	1/12	115	60	2.4	180	12.5	11.5	11.1	10	7.1	21.9	9.5	6	8.80
3-MD-HC	581613	3/4" FNPT	1/2" MNPT	UR/C-CSA	1/12	230	60	1.2	181	12.5	11.5	11.1	10	7.1	21.9	9.5	6	8.80
3-MD-HC	578697	3/4" FNPT	1/2" MNPT	Pump Head Less Motor													2.30	



REPLACEMENT PARTS

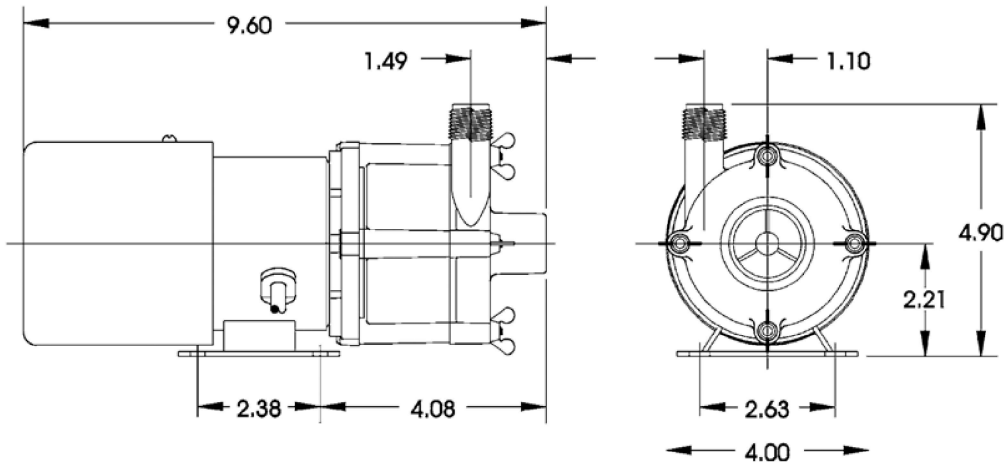
Item	Part No.	Description
A	181204	Volute
B	924008	O-Ring
C	921077	Thrust washer
D	181143	Impeller/Bushing
E	180057	Shaft
F	182006	Housing
1	920003	Wing nut
2	911403	Stud, collared
3	180602	Drive Magnet
4	180048	Mounting Bracket

NOTE: Parts A-F contact fluid

SPECIALTY PUMPS

3-MD-HC SERIES - 1/12 HP

ENGINEERING DATA



NOTE: Designs and dimensions may vary for various reasons (i.e. type of motor). This information should be used as general guide rather than an unqualified guarantee. Specifications are subject to change without prior notice.

PERFORMANCE DATA

