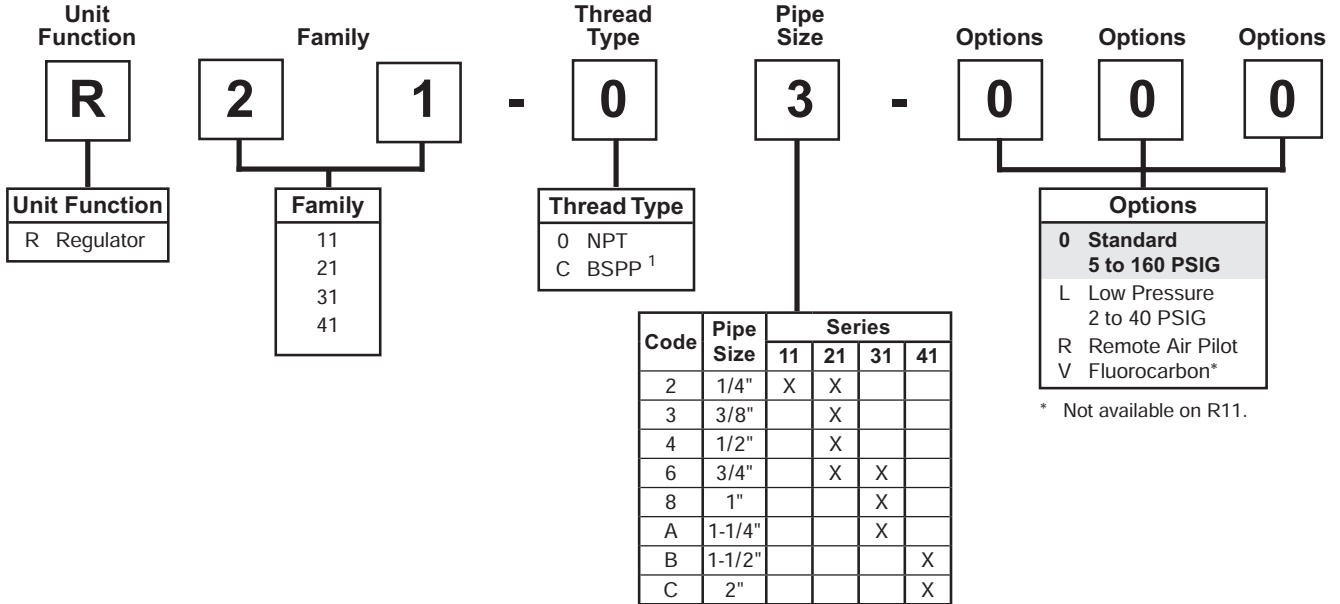


# Dial-Air™ Regulator Numbering System

= "Most Popular"



**B**

<sup>1</sup> ISO, R228 (G Series)

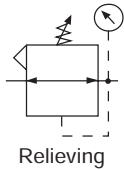
**NOTE:** Standard pressure adjustment is plastic "snap lock" knob and plastic bonnet with plastic panel mount nut.

**NOTE:** When selecting from the options columns, please enter letters in alphabetical order for positions 6, 7, and 8. For example:

**R21 - 0 3 - 0 0 0**

# Dial-Air™ Regulator

## R31



**R31-06-000**

### Features

- Balanced Valve Design
- Non-Rising Pressure Adjusting Dial
- High-Relief Flow (3/16" Relief Orifice)
- Two 1/4" NPT / BSPT-Rc Gauge Ports, Usually Used for Additional Outlets
- Piston Operated

### Specifications

Flow Capacity*	3/4	400 SCFM (189 dm <sup>3</sup> /s)
	1	650 SCFM (307 dm <sup>3</sup> /s)
	1-1/4	700 SCFM (330 dm <sup>3</sup> /s)
Adjusting Range Pressure		0 to 40 PSIG (0 to 2.7 bar)
		0 to 160 PSIG (0 to 11 bar)
Bleed Rate		0.05 SCFM (0.024 dm <sup>3</sup> /s)
Gauge Port (2 ea.)	NPT / BSPT-Rc	1/4
Maximum Supply Pressure		300 PSIG (20.7 bar)
Operating Temperature		32° to 150°F (0° to 65.5°C)
Port Size	NPT / BSPP-G	3/4, 1, 1-1/4
Weight	lb. (kg)	4.0 (1.8)

\* Inlet pressure 100 PSIG (6.9 bar). Secondary pressure 80 PSIG (5.5 bar).

= "Most Popular"

### Materials of Construction

Body	Zinc
Bonnet	Zinc / Brass
Piston	Acetal
Seals	Nitrile
Springs	Steel
Valve Assembly	Brass / Nitrile / Acetal

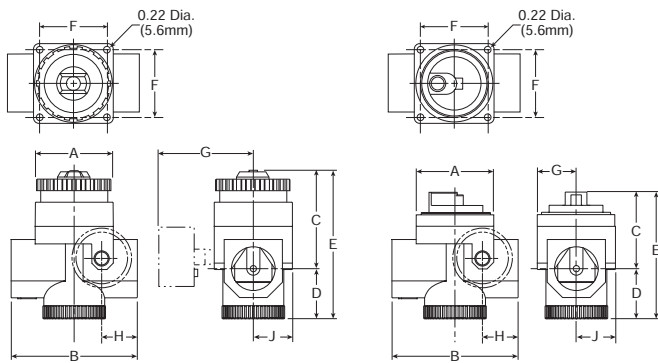
**⚠ WARNING**

**Product rupture can cause serious injury.  
Do not connect regulator to bottled gas.  
Do not exceed maximum primary pressure rating.**

### CAUTION:

**REGULATOR PRESSURE ADJUSTMENT** – The working range of knob adjustment is designed to permit outlet pressures within their full range. Pressure adjustment beyond this range is also possible because the knob is not a limiting device. This is a common characteristic of most industrial regulators, and limiting devices may be obtained only by special design.

For best performance, regulated pressure should always be set by increasing the pressure up to the desired setting.



**Remote Operated**

**NOTE:** Panel mounting requires (2) 11/16" (69mm) diameter holes and (4) 7/32" (5.5mm) screw holes. Unit can be mounted on material up to 1-1/4" (32mm) thick.

### Dimensions

Models	Inches (mm)	A	B	C	D	E	F	G	H	J
Standard Unit R31-XX-000		2.59 (66)	4.29 (109)	3.50 (88.9)	1.69 (43)	5.19 (132)	2.20 (55.9)	—	1.23 (31.2)	1.31 (33.3)
With Gauge (order separately) R31-XX-XXX		2.59 (66)	4.29 (109)	3.50 (88.9)	1.69 (43)	5.19 (132)	2.20 (55.9)	3.00 (76)	1.23 (31.2)	1.31 (33.3)
Remote Operated R31-XX-R00		2.59 (66)	4.29 (109)	2.63 (66.8)	1.69 (43)	4.32 (109.7)	2.20 (55.9)	1.33 (33.7)	1.23 (31.2)	1.31 (33.3)

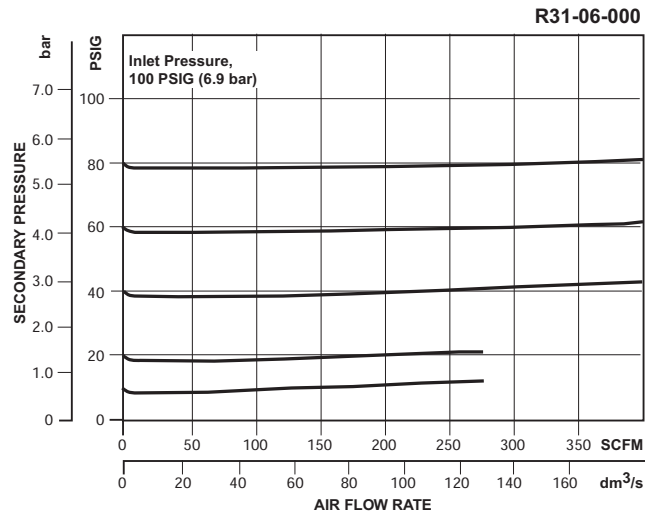
= "Most Popular"

**Replacement Kits**

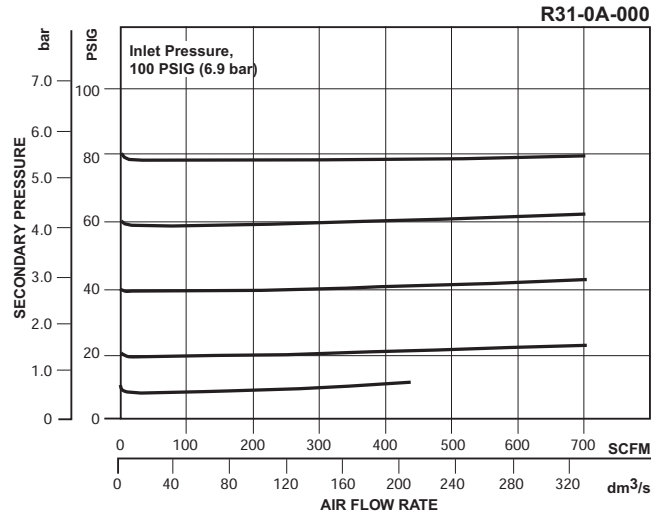
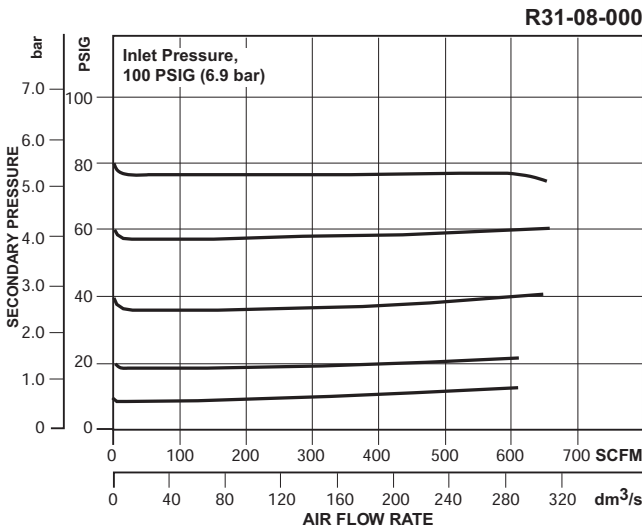
- Adjustment Dial Knob ..... RRP-16-024-000
- Conversion Kit (Series A to Series B) ..... RRP-95-766
- O-ring, Repair Kit ..... GRP-95-261
- Piston, Bottom and O-ring seal ..... RRP-95-192
- Spring, Regulating, Belleville Washer –  
 2 to 40 PSIG (0.1 to 3 bar) ..... RRP-95-906  
 5 to 160 PSIG (0.4 to 11 bar) ..... RRP-95-905
- Valve, Main with O-ring Seal ..... RRP-95-152
- Valve, Main (Remote) with O-ring Seal ..... RRP-96-950
- Valve, Pilot with O-ring and Valve Spring ..... RRP-96-935

**Accessories**

- Gauge, Pressure –  
 0 to 60 PSIG (0 to 4 bar), 2" Dial Face,  
 1/4 NPT, CBM ..... K4520N14060
- 0 to 160 PSIG (0 to 11 bar), 2" Dial Face,  
 1/4 NPT, CBM ..... K4520N14160
- Tamper Resistant Kit ..... RRP-95-585
- Wall Mounting Bracket, Gauge Port Adapter,  
 1/4 NPT ..... RRP-95-590



B



**Ordering Information**

Model Type	Port Size	High Flow 5 to 160 PSIG (0.4 to 11 bar)	Low Pressure 2 to 40 PSIG (0.1 to 3 bar)	Remote 5 to 160 PSIG (0.4 to 11 bar)
Relieving	3/4	R31-06-000	R31-06-L00	R31-06-R00
	1	R31-08-000	R31-08-L00	R31-08-R00
	1-1/4	R31-0A-000	R31-0A-L00	R31-0A-R00

Options - To order an option supplied with the unit model, add the appropriate coded suffix letter in the designated position of the model number.