

## DLS-001 'Dragon' - Stainless Steel Mud Flow Return Sensor / Transmitter



Part Number: DLS - 001

4...20 mA 2 wire current loop output

Zone 0 Ex ia IIC Certified

Precision:  
8 absolute bits / 256 steps  
per the 90 degrees within 16mA  
equivalent to:  
1 degree has 0.177mA  
0.177mA has 2.84 steps

*"obviously far superior" according to customers*



### Technical Data

Operating temp:	- 20 ...+ 60 degrees C - 4 ...+ 140 degrees F
Certification:	ATEX, IECEx, CSA
Weight:	26 lbs (12 kg)
Protection:	IP 66 / X7 M
Material Encoder:	Stainless Steel
Material Chassis:	Stainless Steel
Material Paddles:	Stainless Steel
Material Spring:	Stainless Steel
Pressure rating:	5 bar

### Paddle's for Following Pipe Sizes

Small Paddle	7.75" to 9.75" Ø 200 to 250mm Ø
Medium Paddle	10.75" to 14" Ø 275 to 355 Ø
Large Paddle	15.75" to 17.75" Ø 400 to 450mm Ø

*Paddles can be Tungsten Coated as an Option  
Different Shape and Size Paddles available*

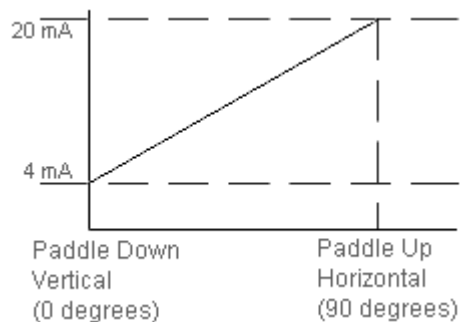
### Connection Options

**Cable (available as wireless or with connector as well)**

+ Loop	Red (+ Current)
- Loop	Black (- Current)

### Output Limits

When the paddle is down (vertical), the output is 4mA  
When the paddle is up (horizontal), the output is 20mA



## Certification

IP 66 and Ex ia IIC T4

ATEX

IECEX

CSA

GOST (CU)

Best suited to work with the following MTL isolator: MTL5541

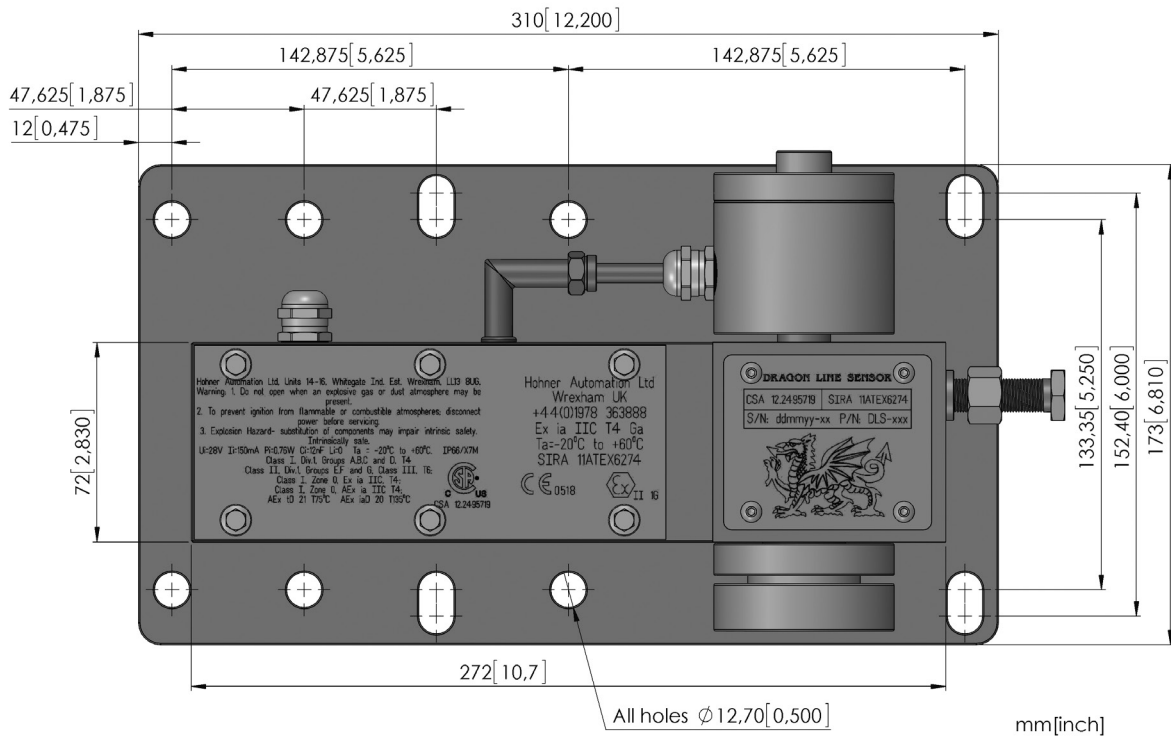
## Special Options

-Different connectors and or cable glands

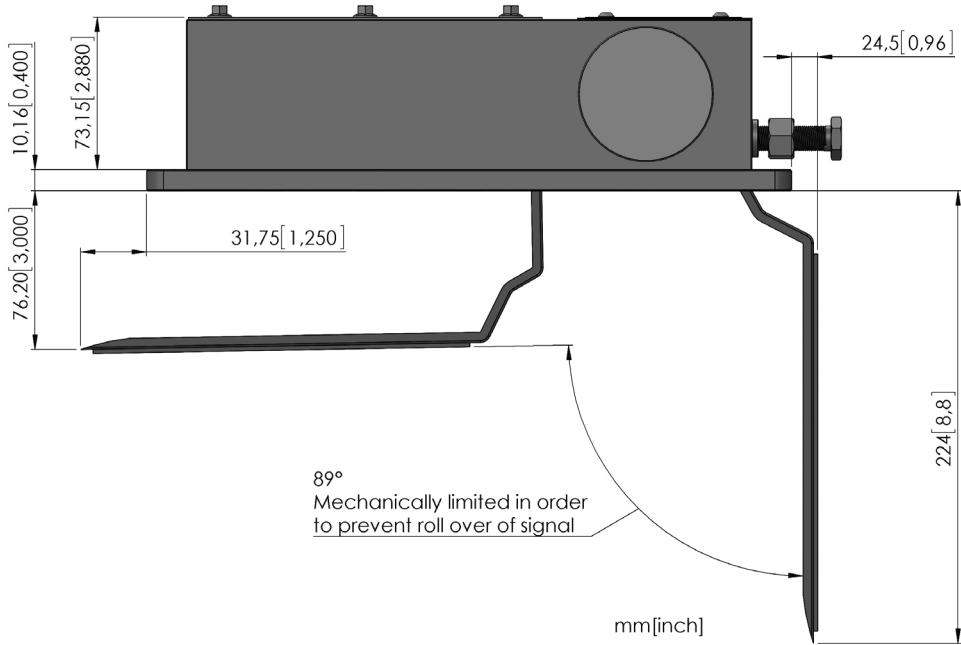
Different mounting hole arrangements on base plates

## Dimensions

- Top View



- Side View



- Front View

