

Riffle type sample divider



3 litre - container type 1

5 litre - container type 2

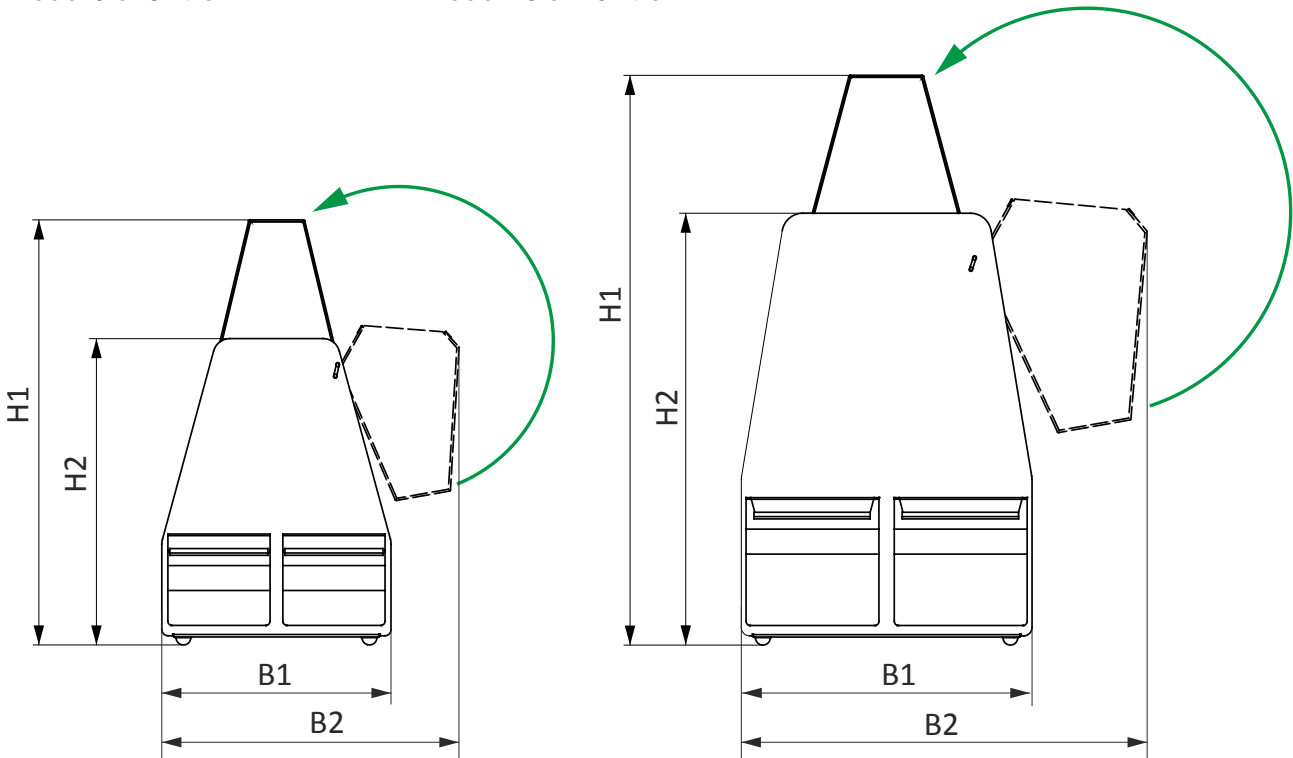
10 litre - container type 3

Article no.	max. sample size	Container type	No. of gaps	Gap width	B1 mm	B2 mm	D mm	H1 mm	H2 mm	Weight kg
1745 0020	3 litre	1	10	19.2	280	360	230	510	370	8.0
1745 0021	3 litre	1	18	10.3	280	360	230	510	370	8.5
1745 0022	5 litre	1	18	19.1	280	420	395	685	370	13.0
1745 0023	5 litre	2	18	19.1	280	420	395	685	370	13.0
1745 0019	5 litre	1	34	9.8	280	420	395	685	370	13.5
1745 0024	5 litre	2	34	9.8	280	420	395	685	370	13.5
1745 0025	10 litre	1	10	29.0	350	530	325	875	515	15.0
1745 0018	10 litre	3	10	29.0	350	530	325	875	515	15.0
1745 0026	10 litre	1	18	15.2	350	530	325	875	515	15.5
1745 0027	10 litre	3	18	15.2	350	530	325	875	515	15.5
1745 0028	18 litre	3	18	28.2	350	530	560	875	515	23.6
1745 0029	18 litre	3	34	14.5	350	530	560	875	515	24.0

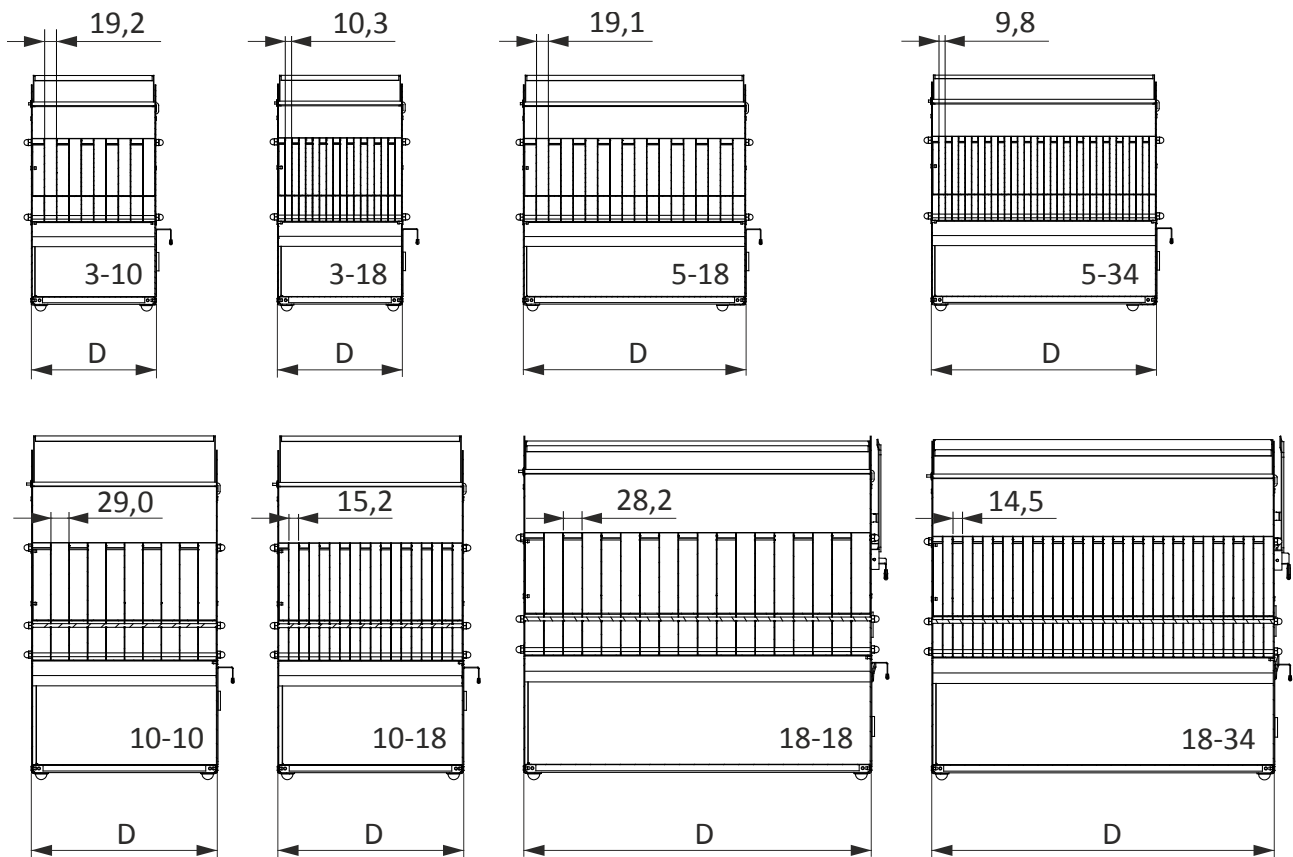
Dimensions

Model 3 or 5 litre

Model 10 or 18 litre



Height and Width



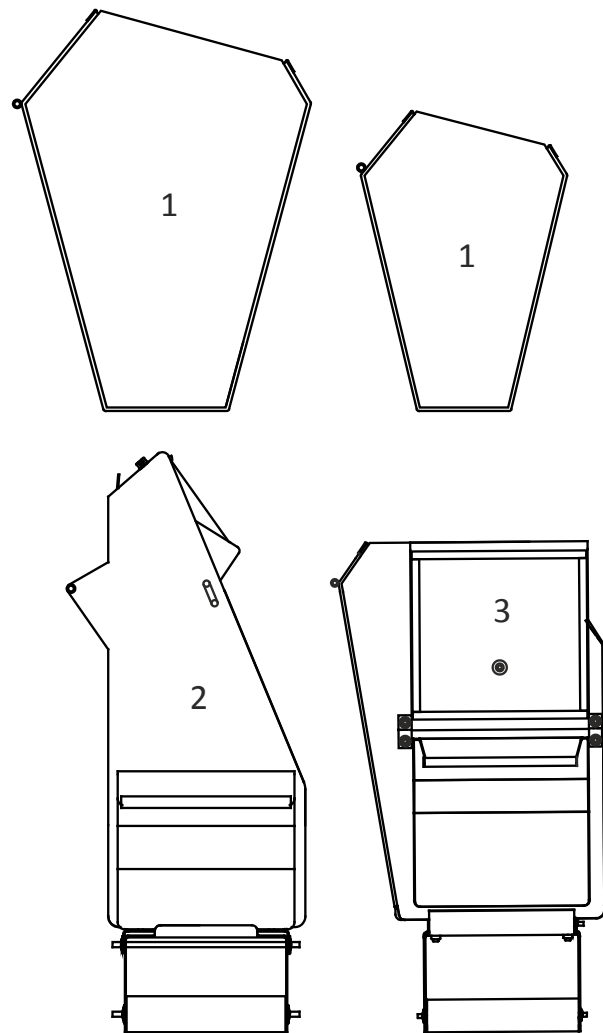
Length and number of gaps, gap width

Container types

Container type 1 is supplied with 2 identical collection containers; it has a closed attached container and is optimal for halving the initial sample quantity.

Container type 2 is supplied with 3 identical collection containers. It has an attached container with an opening for insertion and for quick repositioning of the collection container. In addition, it has a flap which opens just before the highest point and reduces dust. The closed design is therefore particularly suitable for multistage dividing of dusty samples, flours, granulates and powders.

Container type 3 is supplied with 3 identical collection containers. It has an additional flap for alternative use with or without collection container.



Container types