

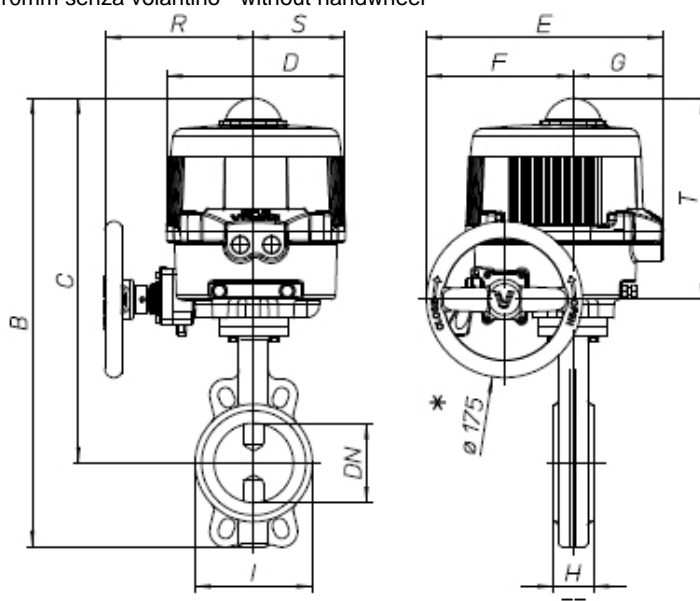


Serie **86**

Articolo **8M036*** EPDM - 8M101***NBR**

Butterfly valve Wafer type PN16, (from DN32 to DN300) PN10 (from DN350 to DN600) body in cast iron GG25+epoxy painting, disc AISI 316, EPDM [Valpres art. 600105] or NBR [Valpres art. 600119] seat from DN32 to DN300, EPDM seat art. 905257 from DN350 to DN600.

*mod. VB030M-VB060M Ø 10mm senza volantino - without handwheel



DN	50	65	80	100	125	150	200	250
PN	16	16	16	16	16	16	16	16
B	424	443	477	505	565	593	685	733
C	352	365	387	403	442	455	490	526
D	161	161	176	176	200	200	212	212
E	187	187	197	197	266	266	279	279
F	63	63	63	63	165	165	184	184
G	124	124	134	134	101	101	95	95
H	43	46	46	52	56	56	60	68
I	100	120	127	161	190	215	268	325
R	-	-	-	-	167	167	166	166
S	-	-	-	-	103	103	109	109
T	-	-	-	-	225	225	226	226
ACT.	VB030M	VB030M	VB060M	VB060M	VB110M	VB190M	VB270M	VB350M
KIT	RI3836	RI3836	RI3883	RI3884	RI3840	RI3847	RI3965	RI3865

12 V

24 V

100 - 240 V

*** CODICE TENSIONE PER ORDINAZIONE
VOLTAGE SUPPLY ORDER CODE

12V AC/DC
+ 001

24V AC/DC
+ 002

100-240V AC
+ 004