

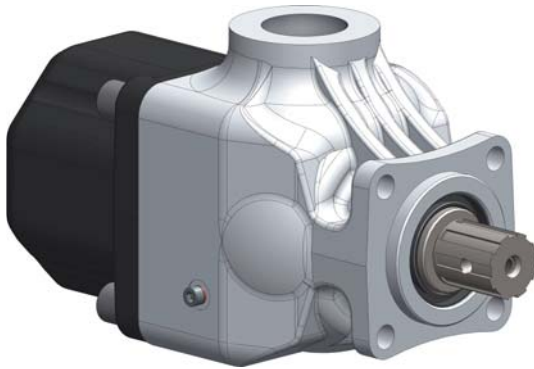
4 HOLES-ISO HYDRAULIC PISTON PUMPS

FAMILY CODE

108-005

"2PAK"

Codice foglio: 997-108-00535 Rev: AA

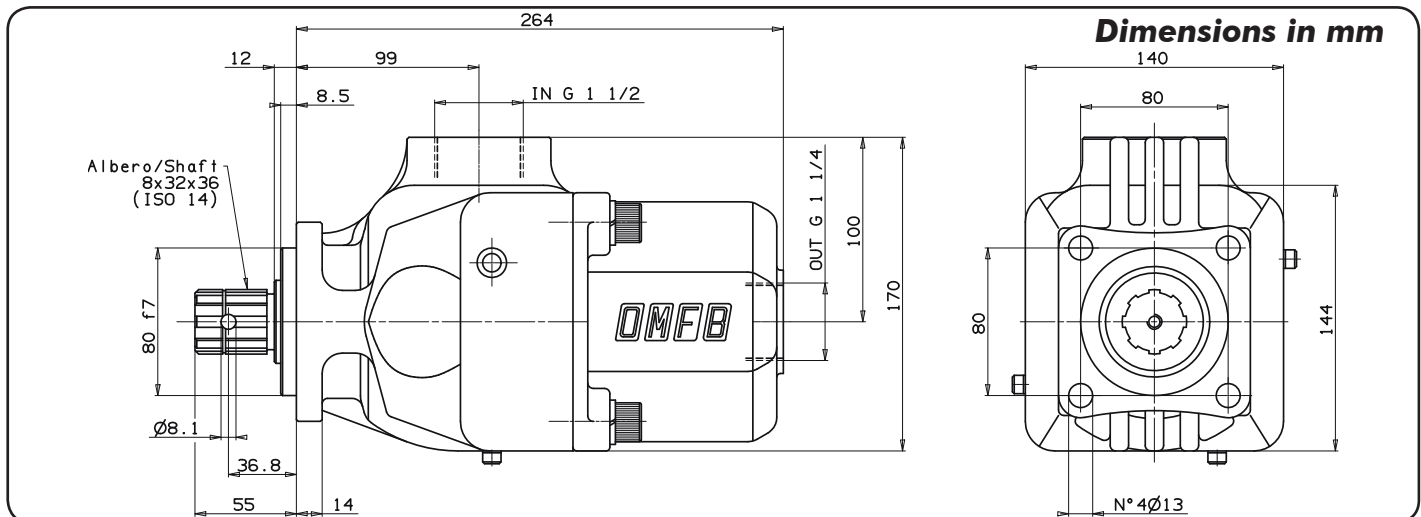


Fluid	Mineral or synthetic compatible with the following seals: NBR, FKM, FPM, Nylon				
Kinematic viscosity suggested	Average ambient temp. (°F)	< -14	-14 ÷ 50	50 ÷ 95	> 95
	VG (cSt = mm ² /s)	16	22	32	46
Optimale kinematic viscosity			VG= 10 cSt ÷ 100 cSt		
Max kinematic viscosity suggested at the start-up			VG= 750 cSt		
Viscosity index suggested			VI > 100		
Oil filtering			> 2900 PSI: 10 μm < 2900 PSI: 25 μm		
Inlet pressure			1,45 ÷ 29 PSI		
Pump rotation			Unidirectional (Right or Left)		

Verify that pump is, at least, 100 mm under the minimum level of the tank. Before starting the pump bleed the air.

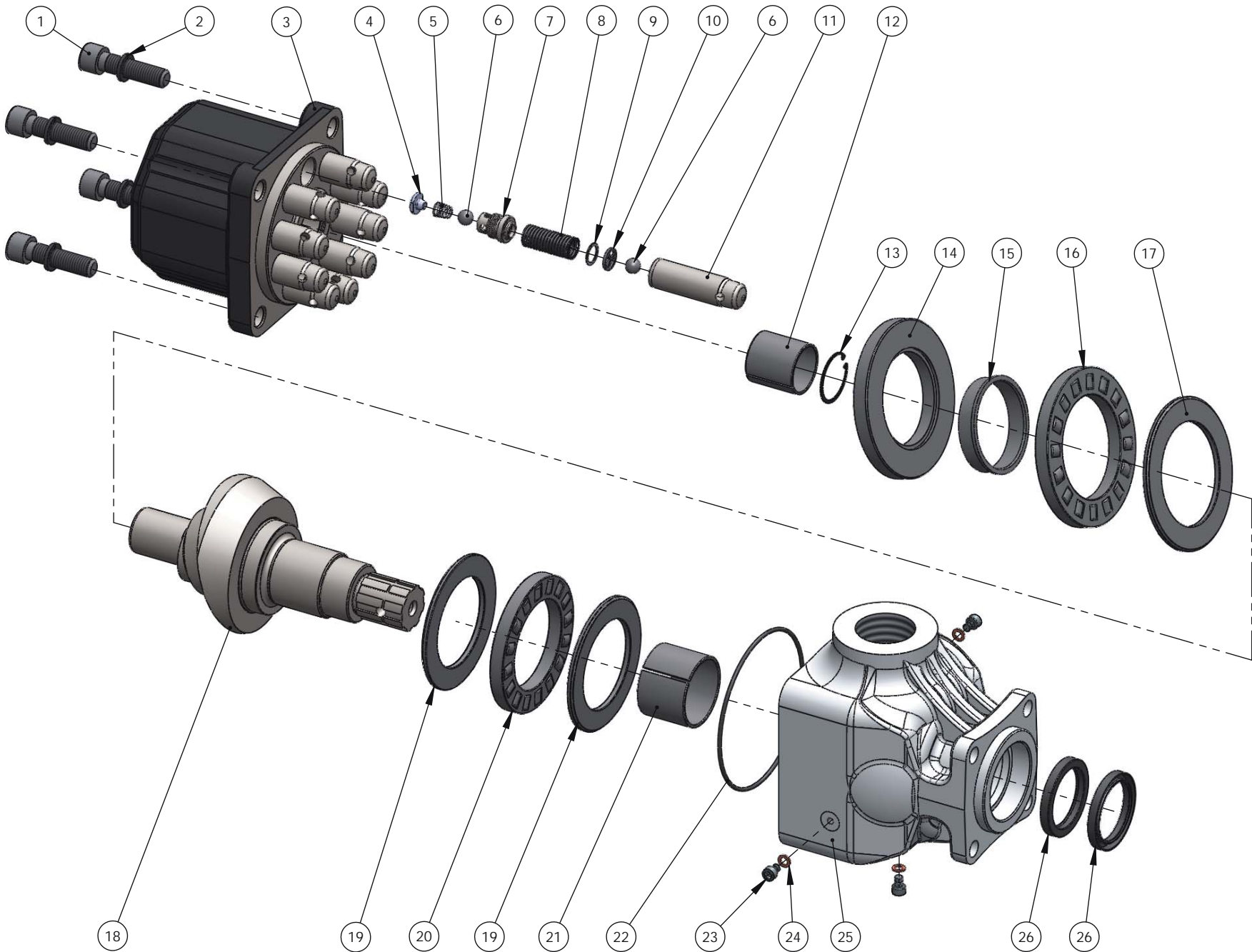
Rev: //

Codice fascicolo:



Data: Venerdì 14 novembre 2008

Pump type	Code	Displacement inch ³ /rev	Pressure		Max speed rpm	Weight lb
			Max PSI	Peak PSI		
2PAK-70	108-005-07027	4,45	4351	5076	1500	46
2PAK-80	108-005-08026	5,01				44,7
2PAK-90	108-005-09025	5,57				44,7
2PAK-100	108-005-10022	6,12				44



COMPANY
WITH QUALITY SYSTEM
CERTIFIED BY DNV
= ISO 9001/2000 =

pag. 2

O.M.F.B. S.p.A. Hydraulic Components
We reserve the right to make any changes without notice.
Edition 2006.11 No reproduction, however partial, is permitted.
Via Cove, 7/9 25050 Pionaglia d'Isco (Brescia) Italy Tel.: +39 030 9830611
Fax: +39 030 9839207-208 Internet: www.omfb.it e-mail: info@omfb.it



N°	70	80	90	100	P. Number	Description	Quantity
1	•	•	•	•	502-006-00581	Socket head capscrew	4
2	•	•	•	•	501-008-00072	Washer	4
3	•				517-002-00093	Rear body	1
		•			517-002-00155		
			•		517-002-00173		
				•	517-002-00119		
4	• x8	• x9	• x10	• x10	542-001-00135	Spring guide body	
5	• x8	• x9	• x10	• x10	512-004-00153	Tapered spring	
6	• x16	• x18	• x20	• x20	510-009-00116	Ball 7/16"	
7	• x8	• x9	• x10	• x10	540-000-00149	Plug delivery valve	
8	• x8	• x9	• x10	• x10	512-005-00607	Back piston spring	
9	• x8	• x9	• x10	• x10	530-000-00159	Spacer	
10	• x8	• x9	• x10	• x10	550-001-00209	Spacer sprine guide	
11	• x8	• x9	• x10		532-004-00044	Pump piston ø21	
				• x10	532-004-00053	Pump piston ø22	
12	•	•	•	•	533-004-00140	Bushing 35x39x40	1
13	•	•	•	•	501-000-00196	Circlip	1
14	•	•	•	•	510-006-00404	Bearing 70x119x12.5	1
15	•	•	•	•	533-004-00257	Bushing 65x70x15	1
16	•	•	•	•	510-006-80122	Axial roller cage 78x119x11	1
17	•	•	•	•	510-006-00397	Bearing 78x115x14.5	1
18	•	•	•	•	522-005-00133	Shaft	1
19	•	•	•	•	510-006-00440	Bearing 70x104x4.5	2
20	•	•	•	•	510-006-70106	Axial roller cage 70x106x11	1
21	•	•	•	•	533-004-00177	Bushing 50x55x40	1
22	•	•	•	•	506-002-00676	O-Ring	1
23	•	•	•	•	502-002-00405	Socket head capscrew	3
24	•	•	•	•	116-009-01022	Washer	3
25	•	•	•	•	517-002-00299	Front housing	1
26	•	•	•	•	506-007-00706	Oil seal	2

pag. 3

O.M.F.B. S.p.A. Hydraulic Components

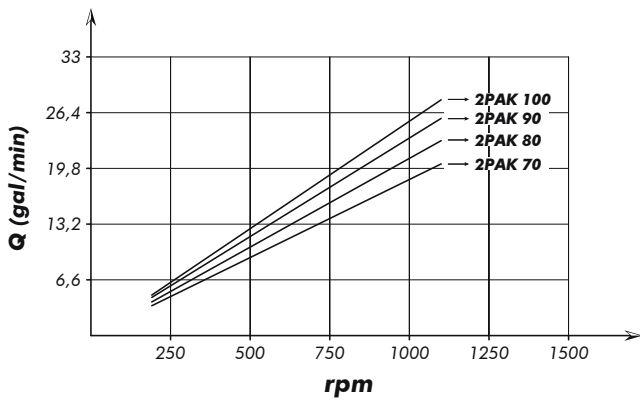
We reserve the right to make any changes without notice.

Edition 2006.02 No reproduction, however partial, is permitted.

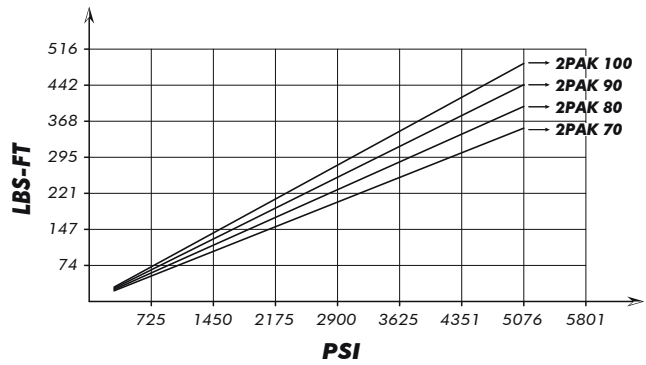
Via Cove, 719 25050 Povoletta d'Isseo (Brescia) Italy. Tel.: +39 030 9830611

Fax: +39 030 9839207/208 Internet: www.omfb.it e-mail: info@omfb.it

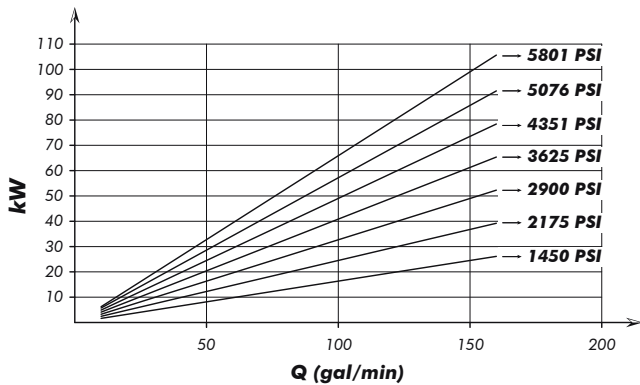
FLOW



DRIVE TORQUE



POWER INPUT



Seal Kit

108-903-00036

Codice foglio: 997-108-00535 Rev: AA

Rev: //

Codice fascicolo:

Data: Venerdì 14 novembre 2008