



2018

Serviceliste
Service list

DUNGS[®]
Combustion Controls

Gültig 1. Januar – 31. Dezember 2018
Valid 1st January – 31st December 2018



Arbeiten an DUNGS-Sicherheits- und Regelgeräten dürfen nur von autorisiertem Fachpersonal ausgeführt werden.

Only a authorised and trained staff may carry out work on DUNGS safety and control devices.

Les interventions sur les organes de réglage et de sécurité DUNGS doivent être exclusivement réalisées par des spécialistes habilités.

Lavori agli apparecchi di regolazione e disicurezza DUNGS sono permessi soltanto a personale qualificato autorizzato.



Es gelten die jeweiligen landesspezifischen Zahlungs- und Lieferbedingungen.

Bitte informieren Sie sich bei der für Sie zuständigen Niederlassung oder Vertretung.

Unverbindliche Preisempfehlung, ohne gesetzliche gültige Mehrwertsteuer.

The delivery and payment conditions for each country shall apply accordingly.

Please enquire at the branch company or agency in your area.

Notbinding price recommendation excluding Statutory VAT.

Les conditions de livraison et de paiement applicables sont celles en vigueur dans le pays concerné.

Renseignez-vous auprès de votre agence ou représentation DUNGS.

Prix recommandé hors TVA.

Valgono le rispettive condizioni di pagamento e di consegna nazionali. Per informazioni.

Per informazioni contattate la filiale o la rappresentanza per voi competente.

Prezzo indicativo, senza IVA.



Änderungen, die dem technischen Fortschritt dienen, vorbehalten.

Datenblätter und Betriebs- und Montageanleitungen finden Sie im Internet unter: www.dungs.com

We reserve the right to make alterations in the course of technical improvement.

You can find data sheets as well as operation and assembly instructions in the Internet at: www.dungs.com

Sous réserve de toute modification constituant un progrès technique.

Vous pouvez consulter les fiches techniques et instructions de montage et d'utilisation sur Internet à l'adresse suivante: www.dungs.com

Ci riserviamo qualsiasi modifica tecnica e costruttiva.

I fogli dati e le istruzioni di esercizio e di montaggio li trovate in Internet sotto:

www.dungs.com



Haftung für sicherheitsrelevante Anlagen, Geräte oder Bauteile

Bei sicherheitsrelevanten Bauteilen, Geräten und Anlagen entfällt jede Haftung von DUNGS, und zwar sowohl die Produkthaftung für Folgeschäden jeder Art, als auch die Haftung für Sachmängel, wenn Eingriffe, Veränderungen oder Reparaturen an diesen sicherheitsrelevanten Bauteilen, Geräten und Anlagen durch nicht autorisiertes Fachpersonal oder unter Verwendung von nicht für den Einsatz speziell zugelassenen Ersatzteilen vorgenommen werden.

Liability for safety-related systems, devices or components

For safety-related components, devices and systems, any liability of DUNGS, i.e. product liability for any kind of consequential damage as well as liability for defects, will cease to exist if alterations, modifications or repairs are made to these safety-related components, devices and systems by unauthorized specialist staff or with spare parts which have not been specially permitted for use in these safety-related components, devices and systems.

Responsabilité relative aux installations, appareils et composants de sécurité

En ce qui concerne les composants, appareils et installations de sécurité, DUNGS décline toute responsabilité, aussi bien en cas de dommages consécutifs de toutes sortes dus au produit qu'en cas de défauts du produit, si des interventions, modifications ou réparations ont été réalisées sur ces composants, appareils et installations de sécurité par un personnel spécialisé non habilité à cet effet ou si des pièces détachées ne disposant pas d'une homologation spécifique à l'usage qui en est fait ont été montées sur ces composants, appareils et installations de sécurité.

Responsabilità per impianti, apparecchi o componenti rilevanti in termini di sicurezza

Nell'ambito di componenti, apparecchi e impianti rilevanti in termini di sicurezza, decade qualsiasi responsabilità da parte di DUNGS, e con ciò s'intende sia la responsabilità di prodotto per danni conseguenti di qualsiasi natura, sia la responsabilità per vizi oggettivi, nel caso in cui su tali componenti, apparecchi ed impianti rilevanti in termini di sicurezza siano effettuati interventi, modifiche o riparazioni da parte di personale non autorizzato o senza l'impiego di parti di ricambio omologate per l'uso specifico.

Service list 2018

Gültig: 1. Januar - 31. Dezember 2018
Valid: 1st January - 31st December 2018



Produktgruppe Product Group	Ersatzteile • Replacement parts Bezeichnung • Designation	Seite Page
Gasfilter	Filtereinsatz/Filter insert GF 5..., GF 25..., GF 40...	6
FR... Gasdruckregelgeräte Gas regulators	Sollwertfedern/Setpoint springs FRS..., FRNG...	9
	Sollwertfedern/Setpoint springs FRSBV 1010	15
	Gegenfeder FRNG/Counter spring FRNG	16
	Meßwerk/Repair kit FRS 2...5...	17
	Meßwerk/Repair kit FRNG 5...	18
	Feinfilter/Microfilter FRI/6 & FRI/10	19
FRM Mitteldruckregler Medium pressure regulator	FRM 100xxx FRM 250xxx	21
Einzelmagnetventile Single solenoid valves	IP 54/Ersatzmagnete/Replacement solenoid SV..., MV..., ZR..., LGV..., HSAV...	23
	IP 65/Ersatzmagnete/Replacement solenoid SV..., MV..., ZR..., LGV..., HSAV...	31
	Klemmbox/"E" --Terminal box/"E"	36
	Leiterplatten/Replacement PCBs SV...	37
Hydraulikbremse Hydraulic brake	Hydraulikbremse Hydraulic brake DMV..., MB..., MV..., ZR..., SV...	39
MB-B MultiBloc®	230 V AC/Ersatzmagnete/Replacement solenoid MB-...B...	41
	Leiterplatten/Replacement PCBs MB-B	43
	110 V AC/Ersatzmagnete/Replacement solenoid MB-...B...	45
	Filtereinsatz/Filter insert MB-...B...	47
MBC MultiBloc®	Ersatzmagnete/Replacement solenoid MBC	49
	Filtereinsatz/Filter insert MBC	51
	Sollwertfedern/Setpoint springs MBC-SE (DN 65-100)	52
DMV-... Doppelmagnetventil Double solenoid valves	Ersatzmagnete/Replacement solenoid DMV-...	54
	Ersatzmagnete/Replacement solenoid DMV-.../11 eco, DMV-.../12	57
	Leiterplatten/Replacement PCBs DMV...	60
	Leiterplatten/Replacement PCBs DMV-.../11 eco, DMV-.../12, MBC-...	64
O-Ringe O-rings	Ersatz O-Ringe Replacement O-rings DMV-... + MB-... B0x	68
Ventilprüfsysteme Valve proving systems	Ersatzhaube/Sicherung/Filter Replacement hood/Fuse/Filter VDK..., VPS...	70
Druckwächter Pressure switches	Druckwächter Ersatzteile Pressure switch spare parts	72

Gasfilter



Produktgruppe Product Group	Ersatzteile • Replacement parts Bezeichnung • Designation
Gasfilter	Filtereinsatz/Filter insert GF 5..., GF 25..., GF 40...

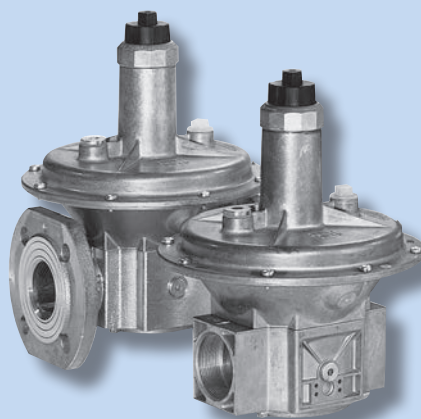
Filter insert GF 5..., GF 25..., GF 40...

Artikelbezeichnung Article designation	Bestell-Nr. Order no.	Länge [mm] Length [mm]	Breite [mm] Width [mm]	DN / Rp	Rp 3/8	Rp 1/2	Rp 3/4	Rp 1	Rp 1 1/4	Rp 1 1/2	Rp 2	Rp 2 1/2	DN 40	DN 50	DN 65	DN 80	DN 100	DN 125	DN 150	DN 200	
GF 505/1	222687	85	95	Rp 1/2		X															
GF 507/1	222687	85	95	Rp 3/4			X														
GF 510/1	222688	90	120	Rp 1				X													
GF 515/1	222688	90	120	Rp 1 1/2						X											
GF 520/1	222689	125	145	Rp 2							X										
GF 4005/1	222687	85	95	Rp 1/2		X															
GF 4007/1	222687	85	95	Rp 3/4			X														
GF 4010/1	222688	90	120	Rp 1				X													
GF 4015/1	222688	90	120	Rp 1 1/2						X											
GF 4020/1	222689	125	145	Rp 2							X										
GF 25040/2	196680	120	90	DN 40									X								
GF 25050/2	196700	140	110	DN 50										X							
GF 25065/2	196720	250	180	DN 65											X						
GF 25080/2	196740	300	170	DN 80												X					
GF 25100/2	196760	380	190	DN 100													X				
GF 40040/2	196680	120	90	DN 40									X								
GF 40050/2	196700	140	110	DN 50										X							
GF 40065/2	196720	250	180	DN 65											X						
GF 40080/2	196740	300	170	DN 80												X					
GF 40100/2	196760	380	190	DN 100													X				
GF 40040/3	222691	180	80	DN 40									X								
GF 40050/3	222692	240	110	DN 50										X							
GF 40050/4	257124	230	116	DN 50										X							
GF 40065/3	222693	245	170	DN 65											X						
GF 40065/4	222693	245	170	DN 65											X						
GF 40080/3	222694	310	180	DN 80												X					
GF 40080/4	222694	310	180	DN 80												X					
GF 40100/3	222695	410	200	DN 100													X				

Filter insert GF 5..., GF 25..., GF 40...

Artikelbezeichnung Article designation	Bestell-Nr. Order no.	Länge [mm] Length [mm]	Breite [mm] Width [mm]	DN / Rp	Rp 3/8	Rp 1/2	Rp 3/4	Rp 1	Rp 1 1/4	Rp 1 1/2	Rp 2	Rp 2 1/2	DN 40	DN 50	DN 65	DN 80	DN 100	DN 125	DN 150	DN 200
					GF 40100/4	222695	410	200	DN 100											
GF 40125	222696	410	330	DN 125														X		
GF 40150	222697	490	410	DN 150															X	
GF 40200	222698	530	440	DN 200																X

FR...
Gasdruckregelgerät
Gas regulators



Produktgruppe Product Group	Ersatzteile • Replacement parts Bezeichnung • Designation
FR... Gasdruckregelgeräte Gas regulators	Sollwertfedern/Setpoint springs FRS..., FRNG...
	Sollwertfedern/Setpoint springs FRSBV 1010
	Gegenfeder FRNG/Counter spring FRNG
	Meßwerk/Repair kit FRS 2...5...
	Meßwerk/Repair kit FRNG 5...
	Feinfilter/Microfilter FRI/6 & FRI/10

Sollwertfedern_Setpoint springs FRS..., FRNG...

Artikelbezeichnung Article designation	Bestell-Nr. Order no.	Farbe Color	p _{max.} [mbar]	DN / Rp	Rp 3/8	Rp 1/2	Rp 3/4	Rp 1	Rp 1 1/4	Rp 1 1/2	Rp 2	Rp 2 1/2	DN 40	DN 50	DN 65	DN 80	DN 100	DN 125	DN 150	DN 200	
Feder 1-8 FRI, FRU, FRN, FRS, FRNG Spring 1-8 FRI, FRU, FRN, FRS, FRNG																					
Spring 1	229817	● brown	2,5 - 9 mbar	Rp 3/8	X																
Spring 1	229817	● brown	2,5 - 9 mbar	Rp 1/2		X															
Spring 1	229833	● brown	2,5 - 9 mbar	Rp 3/4			X														
Spring 1	229842	● brown	2,5 - 9 mbar	Rp 1				X													
Spring 1		● brown	2,5 - 9 mbar	Rp 1 1/4																	
Spring 1	229851	● brown	2,5 - 9 mbar	Rp 1 1/2						X											
Spring 1	229874	● brown	2,5 - 9 mbar	Rp 2							X										
Spring 1	229883	● brown	2,5 - 9 mbar	Rp 2 1/2								X									
Spring 1	229851	● brown	2,5 - 9 mbar	DN 40									X								
Spring 1	229874	● brown	2,5 - 9 mbar	DN 50										X							
Spring 1	229883	● brown	2,5 - 9 mbar	DN 65											X						
Spring 1	229883	● brown	2,5 - 9 mbar	DN 80												X					
Spring 1	229892	● brown	2,5 - 9 mbar	DN 100													X				
Spring 1	229901	● brown	2,5 - 9 mbar	DN 125														X			
Spring 1	229909	● brown	2,5 - 9 mbar	DN 150															X		
Spring 1		● brown	2,5 - 9 mbar	DN 200																	
Spring 2	229818	○ white	5 - 13 mbar	Rp 3/8	X																
Spring 2	229818	○ white	5 - 13 mbar	Rp 1/2		X															
Spring 2	229834	○ white	5 - 13 mbar	Rp 3/4			X														
Spring 2	229843	○ white	5 - 13 mbar	Rp 1				X													
Spring 2		○ white	5 - 13 mbar	Rp 1 1/4																	
Spring 2	229852	○ white	5 - 13 mbar	Rp 1 1/2						X											
Spring 2	229875	○ white	5 - 13 mbar	Rp 2							X										
Spring 2	229884	○ white	5 - 13 mbar	Rp 2 1/2								X									
Spring 2	229852	○ white	5 - 13 mbar	DN 40									X								
Spring 2	229875	○ white	5 - 13 mbar	DN 50										X							

Sollwertfedern_Setpoint springs FRS..., FRNG...

Artikelbezeichnung Article designation	Bestell-Nr. Order no.	Farbe Color	p _{max.} [mbar]	DN / Rp	Rp 3/8	Rp 1/2	Rp 3/4	Rp 1	Rp 1 1/4	Rp 1 1/2	Rp 2	Rp 2 1/2	DN 40	DN 50	DN 65	DN 80	DN 100	DN 125	DN 150	DN 200	
Spring 2	229884	○ white	5 - 13 mbar	DN 65											X						
Spring 2	229884	○ white	5 - 13 mbar	DN 80												X					
Spring 2	229893	○ white	5 - 13 mbar	DN 100													X				
Spring 2	229902	○ white	5 - 13 mbar	DN 125														X			
Spring 2	229910	○ white	5 - 13 mbar	DN 150															X		
Spring 2		○ white	5 - 13 mbar	DN 200																	
Spring 3	229820	● orange	5 - 20 mbar	Rp 3/8	X																
Spring 3	229820	● orange	5 - 20 mbar	Rp 1/2		X															
Spring 3	229835	● orange	5 - 20 mbar	Rp 3/4			X														
Spring 3	229844	● orange	5 - 20 mbar	Rp 1				X													
Spring 3		● orange	5 - 20 mbar	Rp 1 1/4																	
Spring 3	229853	● orange	5 - 20 mbar	Rp 1 1/2						X											
Spring 3	229876	● orange	5 - 20 mbar	Rp 2							X										
Spring 3	229885	● orange	5 - 20 mbar	Rp 2 1/2								X									
Spring 3	229853	● orange	5 - 20 mbar	DN 40									X								
Spring 3	229876	● orange	5 - 20 mbar	DN 50										X							
Spring 3	229885	● orange	5 - 20 mbar	DN 65											X						
Spring 3	229885	● orange	5 - 20 mbar	DN 80												X					
Spring 3	229894	● orange	5 - 20 mbar	DN 100													X				
Spring 3	229903	● orange	5 - 20 mbar	DN 125														X			
Spring 3	229911	● orange	5 - 20 mbar	DN 150															X		
Spring 3		● orange	5 - 20 mbar	DN 200																	
Spring 4	229821	● blue	10 - 30 mbar	Rp 3/8	X																
Spring 4	229821	● blue	10 - 30 mbar	Rp 1/2		X															
Spring 4	229836	● blue	10 - 30 mbar	Rp 3/4			X														
Spring 4	229845	● blue	10 - 30 mbar	Rp 1				X													
Spring 4		● blue	10 - 30 mbar	Rp 1 1/4																	
Spring 4	229854	● blue	10 - 30 mbar	Rp 1 1/2						X											

Sollwertfedern_Setpoint springs FRS..., FRNG...

Artikelbezeichnung Article designation	Bestell-Nr. Order no.	Farbe Color	p _{max.} [mbar]	DN / Rp	Rp 3/8	Rp 1/2	Rp 3/4	Rp 1	Rp 1 1/4	Rp 1 1/2	Rp 2	Rp 2 1/2	DN 40	DN 50	DN 65	DN 80	DN 100	DN 125	DN 150	DN 200	
Spring 4	229877	● blue	10 - 30 mbar	Rp 2							X										
Spring 4	229886	● blue	10 - 30 mbar	Rp 2 1/2								X									
Spring 4	229854	● blue	10 - 30 mbar	DN 40									X								
Spring 4	229877	● blue	10 - 30 mbar	DN 50										X							
Spring 4	229886	● blue	10 - 30 mbar	DN 65											X						
Spring 4	229886	● blue	10 - 30 mbar	DN 80												X					
Spring 4	229895	● blue	10 - 30 mbar	DN 100													X				
Spring 4	229904	● blue	10 - 30 mbar	DN 125														X			
Spring 4	229912	● blue	10 - 30 mbar	DN 150															X		
Spring 4		● blue	10 - 30 mbar	DN 200																	
Spring 5	229822	● red	25 - 55 mbar	Rp 3/8	X																
Spring 5	229822	● red	25 - 55 mbar	Rp 1/2		X															
Spring 5	229837	● red	25 - 55 mbar	Rp 3/4			X														
Spring 5	229846	● red	25 - 55 mbar	Rp 1				X													
Spring 5		● red	25 - 55 mbar	Rp 1 1/4																	
Spring 5	229869	● red	25 - 55 mbar	Rp 1 1/2						X											
Spring 5	229878	● red	25 - 55 mbar	Rp 2							X										
Spring 5	229887	● red	25 - 55 mbar	Rp 2 1/2								X									
Spring 5	229869	● red	25 - 55 mbar	DN 40									X								
Spring 5	229878	● red	25 - 55 mbar	DN 50										X							
Spring 5	229887	● red	25 - 55 mbar	DN 65											X						
Spring 5	229887	● red	25 - 55 mbar	DN 80												X					
Spring 5	229896	● red	25 - 55 mbar	DN 100													X				
Spring 5	229905	● red	25 - 55 mbar	DN 125														X			
Spring 5	229913	● red	25 - 55 mbar	DN 150															X		
Spring 5		● red	25 - 55 mbar	DN 200																	
Spring 6	229823	● yellow	30 - 70 mbar	Rp 3/8	X																
Spring 6	229823	● yellow	30 - 70 mbar	Rp 1/2		X															

Sollwertfedern_Setpoint springs FRS..., FRNG...

Artikelbezeichnung Article designation	Bestell-Nr. Order no.	Farbe Color	p _{max.} [mbar]	DN / Rp	Rp 3/8	Rp 1/2	Rp 3/4	Rp 1	Rp 1 1/4	Rp 1 1/2	Rp 2	Rp 2 1/2	DN 40	DN 50	DN 65	DN 80	DN 100	DN 125	DN 150	DN 200	
Spring 6	229838	● yellow	30 - 70 mbar	Rp 3/4			X														
Spring 6	229847	● yellow	30 - 70 mbar	Rp 1				X													
Spring 6		● yellow	30 - 70 mbar	Rp 1 1/4																	
Spring 6	229870	● yellow	30 - 70 mbar	Rp 1 1/2						X											
Spring 6	229879	● yellow	30 - 70 mbar	Rp 2							X										
Spring 6	229888	● yellow	30 - 70 mbar	Rp 2 1/2								X									
Spring 6	229870	● yellow	30 - 70 mbar	DN 40									X								
Spring 6	229879	● yellow	30 - 70 mbar	DN 50										X							
Spring 6	229888	● yellow	30 - 70 mbar	DN 65											X						
Spring 6	229888	● yellow	30 - 70 mbar	DN 80												X					
Spring 6	229897	● yellow	30 - 70 mbar	DN 100													X				
Spring 6	229906	● yellow	30 - 70 mbar	DN 125														X			
Spring 6	229914	● yellow	30 - 70 mbar	DN 150																X	
Spring 6		● yellow	30 - 70 mbar	DN 200																	
Spring 7	229824	● black	60 - 110 mbar	Rp 3/8	X																
Spring 7	229824	● black	60 - 110 mbar	Rp 1/2		X															
Spring 7	229839	● black	60 - 110 mbar	Rp 3/4			X														
Spring 7	229848	● black	60 - 110 mbar	Rp 1				X													
Spring 7		● black	60 - 110 mbar	Rp 1 1/4																	
Spring 7	229871	● black	60 - 110 mbar	Rp 1 1/2						X											
Spring 7	229880	● black	60 - 110 mbar	Rp 2							X										
Spring 7	229889	● black	60 - 110 mbar	Rp 2 1/2								X									
Spring 7	229871	● black	60 - 110 mbar	DN 40									X								
Spring 7	229880	● black	60 - 110 mbar	DN 50										X							
Spring 7	229889	● black	60 - 110 mbar	DN 65											X						
Spring 7	229889	● black	60 - 110 mbar	DN 80												X					
Spring 7	229898	● black	60 - 110 mbar	DN 100													X				
Spring 7	229907	● black	60 - 110 mbar	DN 125														X			

Sollwertfedern_Setpoint springs FRS..., FRNG...

Artikelbezeichnung Article designation	Bestell-Nr. Order no.	Farbe Color	p _{max.} [mbar]	DN / Rp	Rp 3/8	Rp 1/2	Rp 3/4	Rp 1	Rp 1 1/4	Rp 1 1/2	Rp 2	Rp 2 1/2	DN 40	DN 50	DN 65	DN 80	DN 100	DN 125	DN 150	DN 200	
Spring 7	229915	● black	60 - 110 mbar	DN 150																X	
Spring 7		● black	60 - 110 mbar	DN 200																	
Spring 8	229825	● pink	100 - 150 mbar	Rp 3/8	X																
Spring 8	229825	● pink	100 - 150 mbar	Rp 1/2		X															
Spring 8	229840	● pink	100 - 150 mbar	Rp 3/4			X														
Spring 8	229849	● pink	100 - 150 mbar	Rp 1				X													
Spring 8		● pink	100 - 150 mbar	Rp 1 1/4																	
Spring 8	229872	● pink	100 - 150 mbar	Rp 1 1/2						X											
Spring 8	229881	● pink	100 - 150 mbar	Rp 2							X										
Spring 8	229890	● pink	100 - 150 mbar	Rp 2 1/2								X									
Spring 8	229872	● pink	100 - 150 mbar	DN 40									X								
Spring 8	229881	● pink	100 - 150 mbar	DN 50										X							
Spring 8	229890	● pink	100 - 150 mbar	DN 65											X						
Spring 8	229890	● pink	100 - 150 mbar	DN 80												X					
Spring 8	229899	● pink	100 - 150 mbar	DN 100													X				
Spring 8	229908	● pink	100 - 150 mbar	DN 125														X			
Spring 8	229916	● pink	100 - 150 mbar	DN 150																X	
Spring 8		● pink	100 - 150 mbar	DN 200																	
Feder 9 nur FRS..., FRNG... Spring 9 only for FRS..., FRNG...																					
Spring 9	229826	● grey	140 - 200 mbar	Rp 3/8	X																
Spring 9	229826	● grey	140 - 200 mbar	Rp 1/2		X															
Spring 9	229841	● grey	140 - 200 mbar	Rp 3/4			X														
Spring 9		● grey	140 - 200 mbar	Rp 1																	
Spring 9		● grey	140 - 200 mbar	Rp 1 1/4																	
Spring 9	229873	● grey	140 - 200 mbar	Rp 1 1/2						X											
Spring 9	229882	● grey	140 - 200 mbar	Rp 2							X										
Spring 9	229891	● grey	140 - 200 mbar	Rp 2 1/2								X									

Sollwertfedern_Setpoint springs FRS..., FRNG...

Artikelbezeichnung Article designation	Bestell-Nr. Order no.	Farbe Color	p _{max.} [mbar]	DN / Rp	Rp 3/8	Rp 1/2	Rp 3/4	Rp 1	Rp 1 1/4	Rp 1 1/2	Rp 2	Rp 2 1/2	DN 40	DN 50	DN 65	DN 80	DN 100	DN 125	DN 150	DN 200	
Spring 9	229873	● grey	140 - 200 mbar	DN 40									X								
Spring 9	229882	● grey	140 - 200 mbar	DN 50										X							
Spring 9	229891	● grey	140 - 200 mbar	DN 65											X						
Spring 9	229891	● grey	140 - 200 mbar	DN 80												X					
Spring 9	229900	● grey	140 - 200 mbar	DN 100													X				
Spring 9	243416	● grey	140 - 200 mbar	DN 125														X			
Spring 9	243417	● grey	140 - 200 mbar	DN 150															X		
Spring 9A	260532	● grey	140 - 240 mbar	DN 100													X				
Spring 9A	264019	● grey	140 - 240 mbar	DN 150															X		

Sollwertfedern_Setpoint springs FRSBV 1010

Artikelbezeichnung Article designation	Bestell-Nr. Order no.	Farbe Color	p _{max.} [mbar]	Rp 3/8	Rp 1/2	Rp 3/4	Rp 1	Rp 1 1/4	Rp 1 1/2	Rp 2	Rp 2 1/2	DN 40	DN 50	DN 65	DN 80	DN 100	DN 125	DN 150	DN 200
Spring	226381	● blue	20 - 100 mbar				X												
Spring	226382	● yellow	70 - 350 mbar				X												
Spring	226383	● grey	300 - 1000 mbar				X												

Gegenfeder FRNG_Counter spring FRNG

Artikelbezeichnung Article designation	Bestell-Nr. Order no.	Anzahl (Stk.) Amount (pcs.)	DN / Rp	Rp 3/8	Rp 1/2	Rp 3/4	Rp 1	Rp 1 1/4	Rp 1 1/2	Rp 2	Rp 2 1/2	DN 40	DN 50	DN 65	DN 80	DN 100	DN 125	DN 150	DN 200
Counter spring FRNG	242703	5	Rp 1/2		X														
Counter spring FRNG	242704	5	Rp 3/4			X													
Counter spring FRNG	242705	5	Rp 1				X												
Counter spring FRNG	242706	5	Rp 1 1/2						X										
Counter spring FRNG	242707	5	Rp 2							X									
Counter spring FRNG	242708	5	DN 65											X					
Counter spring FRNG	242709	5	DN 80												X				
Counter spring FRNG	242710	5	DN 100													X			
Counter spring FRNG	242711	5	DN 125														X		
Counter spring FRNG	242712	5	DN 150															X	

Meßwerk_Repair kit FRS 2...5...

Artikelbezeichnung Article designation	Bestell-Nr. Order no.	DN / Rp	Rp 3/8	Rp 1/2	Rp 3/4	Rp 1	Rp 1 1/4	Rp 1 1/2	Rp 2	Rp 2 1/2	DN 40	DN 50	DN 65	DN 80	DN 100	DN 125	DN 150	DN 200
FRS Repair kit	068890	Rp 3/8																
FRS Repair kit	068890	Rp 2 1/2																
FRS Repair kit	068890	Rp 3/4																
FRS Repair kit	068890	Rp 1																
FRS Repair kit	68924	Rp 1 1/2						X										
FRS Repair kit	68932	Rp 2							X									
FRS Repair kit	68940	Rp 2 1/2								X								
FRS Repair kit	68924	DN 40									X							
FRS Repair kit	68932	DN 50										X						
FRS Repair kit	68940	DN 65											X					
FRS Repair kit	91868	DN 80												X				
FRS Repair kit	91876	DN 100													X			
FRS Repair kit	69005	DN 125														X		
FRS Repair kit	69013	DN 150																X
FRS Repair kit Special Gases MFQ (Fluor silicone)	252061	DN 150																X
FRS Repair kit Special Gases PTFE/Viton (Polytetrafluorethylene)	256378	DN 150																X

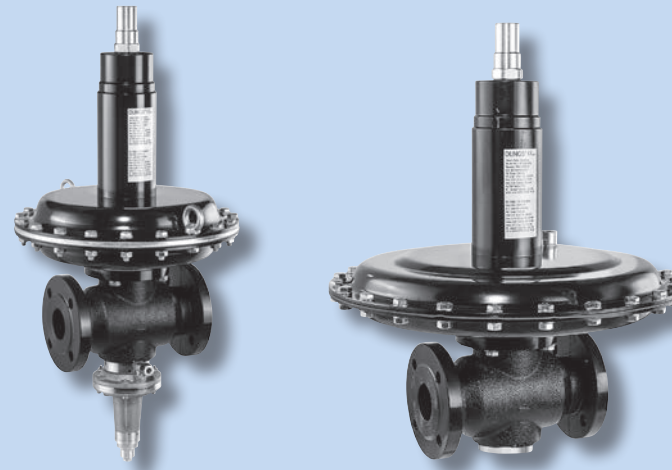
Meßwerk_Repair kit FRNG 5...

Artikelbezeichnung Article designation	Bestell-Nr. Order no.	DN / Rp	Rp 3/8	Rp 1/2	Rp 3/4	Rp 1	Rp 1 1/4	Rp 1 1/2	Rp 2	Rp 2 1/2	DN 40	DN 50	DN 65	DN 80	DN 100	DN 125	DN 150	DN 200
FRNG Repair kit	229688	Rp 1/2																
FRNG Repair kit	229689	Rp 3/4																
FRNG Repair kit	229690	Rp 1																
FRNG Repair kit	229657	Rp 1 1/2						X										
FRNG Repair kit	229658	Rp 2							X									
FRNG Repair kit	229657	DN 40									X							
FRNG Repair kit	229658	DN 50										X						
FRNG Repair kit	229659	DN 65											X					
FRNG Repair kit	229660	DN 80												X				
FRNG Repair kit	229661	DN 100													X			
FRNG Repair kit	229662	DN 125														X		
FRNG Repair kit	229663	DN 150																X
FRNG Repair kit Special Gases MFQ (Fluor silicone)	252060	DN 150																X
FRNG Repair kit Special Gases PTFE/ Viton (Polytetrafluorethylene)	256377	DN 150																X
FRS Repair kit Special Gases MFQ (Fluor silicone)	252061	DN 150																X
FRS Repair kit Special Gases PTFE/Viton (Polytetrafluorethylene)	256378	DN 150																X

Feinfilter_Microfilter FRI/6 & FRI/10

Artikelbezeichnung Article designation	Bestell-Nr. Order no.	Anzahl (Stk.) Amount (pcs.)	DN / Rp	Rp 3/8	Rp 1/2	Rp 3/4	Rp 1	Rp 1 1/4	Rp 1 1/2	Rp 2	Rp 2 1/2	DN 40	DN 50	DN 65	DN 80	DN 100	DN 125	DN 150	DN 200
FRI Microfilter	230439	1	Rp 3/8	X															
FRI Microfilter	230440	1	Rp 1/2		X														
FRI Microfilter	230440	1	Rp 3/4			X													
FRI Microfilter	230441	1	Rp 1				X												
FRI Microfilter	230441	1	Rp 1 1/4					X											

FRM
Mitteldruckregler
Medium pressure regulator

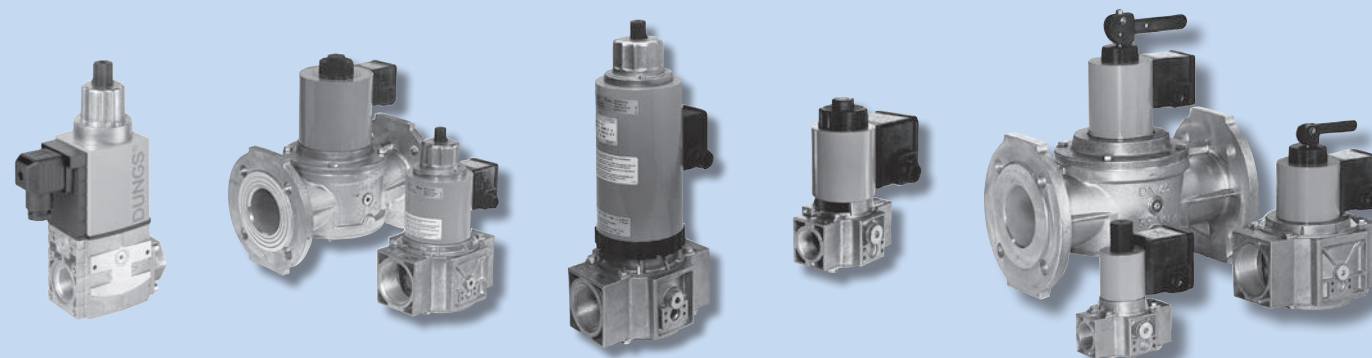


Produktgruppe Product Group	Ersatzteile • Replacement parts Bezeichnung • Designation
FRM Mitteldruckregler Medium pressure regulator	FRM 100xxx FRM 250xxx

FRM 100xxx / FRM 250xxx

Artikelbezeichnung Article designation	Bestell-Nr. Order no.	DN 25	DN 40	DN 50	DN 65	DN 80	ND	MD	HD	UHD
Kit 1 Protective cap	270396	X	X	X			X	X	X	X
Kit 2 Working diaphragm with O-ring	270384	X	X	X			X			
Kit 2 Working diaphragm with O-ring	270385	X	X	X				X		
Kit 2 Working diaphragm with O-ring	270386	X	X	X					X	X
Kit 3 Control plate with sleeve and O-rings	270387	X					X	X	X	X
Kit 3 Control plate with sleeve and O-rings	270388		X				X	X	X	X
Kit 3 Control plate with sleeve and O-rings	270389			X			X			
Kit 3 Control plate with sleeve and O-rings	271092			X				X	X	X
Kit 4 Valve seat with sealing ring and O-ring	270390	X					X	X	X	X
Kit 4 Valve seat with sealing ring and O-ring	270391		X				X	X	X	X
Kit 4 Valve seat with sealing ring and O-ring	270392			X			X	X	X	X
Kit 5 O-rings	270393	X					X	X	X	X
Kit 5 O-rings	270394		X				X	X	X	X
Kit 5 O-rings	270395			X			X	X	X	X
ASE with O-ring	270375	X					X			
ASE with O-ring	270376	X						X		
ASE with O-ring	270377	X							X	X
ASE with O-ring	270378		X				X			
ASE with O-ring	270379		X					X		
ASE with O-ring	270380		X						X	X
ASE with O-ring	270381			X			X			
ASE with O-ring	270382			X				X		
ASE with O-ring	270383			X					X	X

Einzelmagnetventile
Single solenoid valves



Produktgruppe Product Group	Ersatzteile • Replacement parts Bezeichnung • Designation
Einzelmagnetventile Single solenoid valves	IP 54/Ersatzmagnete/Replacement solenoid SV..., MV..., ZR..., LGV..., HSAV...
	IP 65/Ersatzmagnete/Replacement solenoid SV..., MV..., ZR..., LGV..., HSAV...
	Klemmbox/"E" --Terminal box/"E"
	Leiterplatten/Replacement PCBs SV...

IP 54_Ersatzmagnete_Replacement solenoid SV..., MV..., ZR..., LGV..., HSAV...

Artikelbezeichnung Article designation	Bestell-Nr. Order no.	Kommentar Comment	Ventil Typ Valve Type	12 V DC	24 V AC	100 V AC	110 V AC	120 V AC (US)	200 V AC	230 V AC	24-28 V DC
Solenoid 01	216879		MV 202							X	
	231092		MV 203/3 MV 502								X
	233101		MV 502/1 MV 502/2				X				
	230526		MV 502/3							X	
Solenoid 20		*	SV 505								
		*	SV 507								
Solenoid 30		*	SV 510								
		*	SV 512								
		*	SV 515								
Solenoid 40		*	SV 515 BG3								
		*	SV 520								
Solenoid 25.1	224581		ZRD 407/5 ZRD 410/5 ZRLE 407/5				X				
	252237		ZRLE 410/5 ZRDLE 407/5 ZRDLE 410/5						X		
	216877		ZRDLE 4020/5 ZRDLE 4025/5							X	

IP 54_Ersatzmagnete_Replacement solenoid SV..., MV..., ZR..., LGV..., HSAV...

Artikelbezeichnung Article designation	Bestell-Nr. Order no.	Kommentar Comment	Ventil Typ Valve Type	12 V DC	24 V AC	100 V AC	110 V AC	120 V AC (US)	200 V AC	230 V AC	24-28 V DC
Solenoid 35.1	224583		ZRD 415/5 ZRD 420/5 ZRD 4040/5 ZRD 4050/5 ZRLE 415/5 ZRLE 420/5 ZRLE 4040/5 ZRLE 4050/5				X				
	216878		ZRDLE 415/5 ZRDLE 420/5 ZRDLE 4040/5 ZRDLE 4050/5							X	
Solenoid 60E	224586		MV 2125/5				X				
	226047		MV 5125/5 MV 2150/5						X		
	214212		MVD 2125/5 MVD 5125/5							X	
	224585		MVD 5100/5								X
Solenoid 61E	224537						X				
	224588		MV 5150/5		X						
	214213		MVD 2150/5 MVD 5150/5							X	
	224588										X
Solenoid 70E	223332		MVD 2200						X		

* No IP 54 version available, SV standard version only with IP 65, Replacement solenoids for SV please look in the category "Solenoids IP 65"

** If the required solenoid is not available in IP 54 version, please look in the category "Replacement solenoids IP 65"

IP 54_Ersatzmagnete_Replacement solenoid SV..., MV..., ZR..., LGV..., HSAV...

Artikelbezeichnung Article designation	Bestell-Nr. Order no.	Kommentar Comment	Ventil Typ Valve Type	12 V DC	24 V AC	100 V AC	110 V AC	120 V AC (US)	200 V AC	230 V AC	24-28 V DC
Solenoid 100	229966		HSAV 1507/5	X							
	232862		LGV 507/5		X						
	230953		MV 205/3								
			MV 205/4								
			MV 207			X					
			MVD 203/5								
	223156		MVD 205/5				X				
			MVD 207/5								
		MVD 403/5									
		MVD 405/5						X			
		MVD 503/5									
		MVD 505/5							X		
		MVDLE 203/5									
		MVDLE 205/5									
		MVDLE 403/5								X	
		MVDLE 405/5									
		MVDLE 503/5									
		RVDLE205									X
		only IP65									
Solenoid 110	232863				X						
	230964					X					
	224533						X				
	230984		HSAV 507/5					X			
			HSAV 510/5								
	230995								X		
										X	
		only IP65									
Solenoid 120	225790		MV 1005							X	

IP 54_Ersatzmagnete_Replacement solenoid SV..., MV..., ZR..., LGV..., HSAV...

Artikelbezeichnung Article designation	Bestell-Nr. Order no.	Kommentar Comment	Ventil Typ Valve Type	12 V DC	24 V AC	100 V AC	110 V AC	120 V AC (US)	200 V AC	230 V AC	24-28 V DC	
Solenoid 160	232865				X							
	230970					X						
	232031						X					
	230985		HSAV 515/5					X				
	230997								X			
	232040									X		
		only IP65									X	
Solenoid 200	229968		LV-D 210/4 MV 207/4 MVD 207/5	X								
	232852		MV 210/4 MVD 210/5 MVD 410/5		X							
	230972		MVD 507/5 MVD 510/5 MVD 2020/5 MVD 2025/5			X						
	224555		MVD 4025/5 MVD 5020/5 MVD 5025/5				X					
	230986		MVDLE 207/5 MVDLE 210/5 MVDLE 407/5					X				
	230998		MVDLE 410/5 MVDLE 507/5 MVDLE 2020/5 MVDLE 2025/5						X			
	214207		MVDLE 2025/5 MVDLE 4020/5 MVDLE 4025/5 MVDLE 5020/5							X		
			only IP65	RVDLE 207 RVDLE 210								X

IP 54_Ersatzmagnete_Replacement solenoid SV..., MV..., ZR..., LGV..., HSAV...

Artikelbezeichnung Article designation	Bestell-Nr. Order no.	Kommentar Comment	Ventil Typ Valve Type	12 V DC	24 V AC	100 V AC	110 V AC	120 V AC (US)	200 V AC	230 V AC	24-28 V DC
Solenoid 210	232866		HSAV 520/5 HSAV 5050/5		X						
	230974					X					
	224558							X			
	230987								X		
	230999									X	
	216873										X
				only IP65							
Solenoid 250	225787		MV 1007							X	
Solenoid 280	229969		LV-D 215/4 MV 220	X							
	230975		MV 215/3 MVD 215/5			X					
	224562		MVD 415/5 MVD 2040/5				X				
	231000		MVD 4040/5 MVDLE 215/5						X		
	213407		MVDLE 415/5 MVDLE 2040/5 MVDLE 4040/5 RVDLE 215							X	
			only IP65								

IP 54_Ersatzmagnete_Replacement solenoid SV..., MV..., ZR..., LGV..., HSAV...

Artikelbezeichnung Article designation	Bestell-Nr. Order no.	Kommentar Comment	Ventil Typ Valve Type	12 V DC	24 V AC	100 V AC	110 V AC	120 V AC (US)	200 V AC	230 V AC	24-28 V DC
Solenoid 290	232867		HSAV 5065/5		X						
	230976					X					
	232033						X				
	230988							X			
	231001								X		
	232038										X
				only IP65							
Solenoid 300	229970		LV-D 220/5 LV-D 2050/5 MV 220/3	X							
	230977		MV 215/4 MVD 215/5 MV 220/4 MVD 220/5			X					
	224565		MVD 420/5 MVD 515/5				X				
	230989		MVD 2040/5 MVD 2050/5 MVD 4050/5 MVD 5040/5					X			
	231002		MVDLE 215/5 MVDLE 220/5 MVDLE 420/5						X		
	214208		MVDLE 515/5 MVDLE 2040/5 MVDLE 2050/5 MVDLE 4050/5 MVDLE 5040/5							X	
			only IP65	RVDLE 215							

IP 54_Ersatzmagnete_Replacement solenoid SV..., MV..., ZR..., LGV..., HSAV...

Artikelbezeichnung Article designation	Bestell-Nr. Order no.	Kommentar Comment	Ventil Typ Valve Type	12 V DC	24 V AC	100 V AC	110 V AC	120 V AC (US)	200 V AC	230 V AC	24-28 V DC
Solenoid 310	232814		HSAV 5080/5		X						
	230978					X					
	224568							X			
	230990								X		
	216875										X
		only IP65									
Solenoid 400	230979		LV-D 225/5 LV-D 2065/5			X					
	224571		MVD 225/5 MVD 425/5 MVD 520/5				X				
	230991		MVD 2065/5 MVD 4065/5					X			
	231004		MVD 5050/5 MVDLE 225/5 MVDLE 425/5						X		
	214209		MVDLE 520/5 MVDLE 2065/5							X	
		only IP65		MVDLE 4065/5 MVDLE 5050/5							
Solenoid 410	230980		HSAV 5100/5			X					
	232035						X				
	232036									X	
	only IP65										X

IP 54_Ersatzmagnete_Replacement solenoid SV..., MV..., ZR..., LGV..., HSAV...

Artikelbezeichnung Article designation	Bestell-Nr. Order no.	Kommentar Comment	Ventil Typ Valve Type	12 V DC	24 V AC	100 V AC	110 V AC	120 V AC (US)	200 V AC	230 V AC	24-28 V DC
Solenoid 500	229972		LV-D 2080/5	X							
	230981		MVD 2080/5			X					
	224574		MVD 4080/5				X				
	230992		MVD 525/5					X			
	214210		MVDLE 2080/5							X	
			only IP65	MVDLE 4080/5							
Solenoid 550	230982		MVD 2100/5			X					
	224560		MVD 4100/5				X				
	230993		MVD 5080/5					X			
	214211		MVDLE 2100/5							X	
			only IP65	MVDLE 4100/5							

IP 65_Ersatzmagnete_Replacement solenoid SV..., MV..., ZR..., LGV..., HSAV...

Artikelbezeichnung Article designation	Bestell-Nr. Order no.	Ventil Typ Valve Type	12 V DC	24 V AC	100 V AC	110 V AC	120 V AC (US)	200 V AC	230 V AC	24-28 V DC
Solenoid 01	216879	MV 202 MV 203/3 MV 502 MV 502/1 MV 502/2 MV 502/3							X	
	243603					X				
Solenoid 20	243586	SV 505 SV 507							X	
	243878									X
Solenoid 30	243879			X						
	243604	SV 510 SV 512				X				
	243587	SV 515							X	
	243880									X
Solenoid 40	243881			X						
	243605	SV 515 BG3				X				
	243588	SV 520							X	
	243882									X
Solenoid 35.1	245803	ZRD 415/5 ZRD 420/5 ZRD 4040/5 ZRD 4050/5 ZRLE 415/5 ZRLE 420/5 ZRLE 4040/5 ZRLE 4050/5 ZRDLE 415/5 ZRDLE 420/5 ZRDLE 4040/5 ZRDLE 4050/5							X	

IP 65_Ersatzmagnete_Replacement solenoid SV..., MV..., ZR..., LGV..., HSAV...

Artikelbezeichnung Article designation	Bestell-Nr. Order no.	Ventil Typ Valve Type	12 V DC	24 V AC	100 V AC	110 V AC	120 V AC (US)	200 V AC	230 V AC	24-28 V DC	
Solenoid 60E	232421	MV 2125/5									
		MV 5125/5									
Solenoid 61E	252089	MV 2150/5									
		MVD 2125/5									
Solenoid 61E	252088	MVD 5125/5									
		MVD 5100/5									
Solenoid 100	223155	MV 5150/5				X					
		MVD 2150/5									
	229974	MVD 5150/5							X		
		HSAV 1507/5									X
		LGV 507/5									
229982	LGV 5020/5										
	MV 205/3										
223155	229974	MV 207									
		MVD 203/5									
223155	229974	MV 205/4				X					
		MVD 205/5									
223155	229982	MVD 403/5									
		MVD 405/5							X		
223155	229982	MVD 503/5									
		MVD 505/5									
223155	229982	MVDLE 203/5									
		MVDLE 205/5									
223155	229982	MVDLE 403/5									
		MVDLE 405/5									
223155	229982	MVDLE 503/5									
		RVDLE 205									
Solenoid 110	251935	HSAV 507/5							X		
		HSAV 510/5								X	
Solenoid 160	251936	HSAV 515/5							X		
										X	

IP 65_Ersatzmagnete_Replacement solenoid SV..., MV..., ZR..., LGV..., HSAV...

Artikelbezeichnung Article designation	Bestell-Nr. Order no.	Ventil Typ Valve Type	12 V DC	24 V AC	100 V AC	110 V AC	120 V AC (US)	200 V AC	230 V AC	24-28 V DC
Solenoid 200	229976	LV-D 210/4 MV 207/4 MVD 207/5 MV 210/4 MVD 210/5 MVD 410/5 MVD 507/5 MVD 510/5 MVD 2020/5 MVD 2025/5 MVD 4025/5 MVD 5020/5 MVD 5025/5				X				
	229984	MVDLE 207/5 MVDLE 210/5 MVDLE 407/5 MVDLE 410/5 MVDLE 507/5							X	
	224554	MVDLE 2020/5 MVDLE 2025/5 MVDLE 4020/5 MVDLE 4025/5 MVDLE 5020/5 RVDLE 207 RVDLE 210								X
Solenoid 210	251937	HSAV 520/5							X	
	224557	HSAV 5050/5								X

IP 65_Ersatzmagnete_Replacement solenoid SV..., MV..., ZR..., LGV..., HSAV...

Artikelbezeichnung Article designation	Bestell-Nr. Order no.	Ventil Typ Valve Type	12 V DC	24 V AC	100 V AC	110 V AC	120 V AC (US)	200 V AC	230 V AC	24-28 V DC
Solenoid 280	229977	LV-D 215/4 LV-D 4040/5 MV 220 MV 215/3				X				
	229985	MVD 215/5 MVD 415/5 MVD 2040/5 MVDLE 215/5 MVDLE 415/5							X	
	224561	MVDLE 2040/5 MVDLE 4040/5								X
Solenoid 290	251938	HSAV 5065/5							X	
	232049									X
Solenoid 300	229978	LV-D 220/5 LV-D 2050/5 MV 220/3 MV 215/4 MVD 215/5 MV 220/4 MVD 220/5 MVD 420/5 MVD 515/5 MVD 2040/5 MVD 2050/5 MVD 4050/5 MVD 5040/5				X				
	229986	MVDLE 215/5 MVDLE 220/5 MVDLE 420/5 MVDLE 515/5 MVDLE 2040/5 MVDLE 2050/5 MVDLE 4050/5 MVDLE 5040/5							X	
	224564	RVDLE 215								X

IP 65_Ersatzmagnete_Replacement solenoid SV..., MV..., ZR..., LGV..., HSAV...

Artikelbezeichnung Article designation	Bestell-Nr. Order no.	Ventil Typ Valve Type	12 V DC	24 V AC	100 V AC	110 V AC	120 V AC (US)	200 V AC	230 V AC	24-28 V DC
Solenoid 310	251939	HSAV 5080/5							X	
	224567									X
Solenoid 400	229987	LV-D 225/5 LV-D 2065/4 MVD 225/5 MVD 425/5 MVD 520/5							X	
	229979	MVD 2065/5 MVD 4065/5 MVD 5050/5 MVDLE 225/5 MVDLE 425/5 MVDLE 520/5				X				
	224570	MVDLE 2065/5 MVDLE 4065/5 MVDLE 5050/5								X
									X	
Solenoid 410	251940 231447	HSAV 5100/5								X
Solenoid 500	229980	LV-D 2080/5 MVD 2080/5 MVD 4080/5				X				
	229988	MVD 525/5 MVD 5065/5							X	
	224573	MVDLE 2080/5 MVDLE 4080/5								X
Solenoid 550	229981	MVD 2100/5 MVD 4100/5				X				
	229989	MVD 5080/5 MVDLE 2100/5							X	
	224559	MVDLE 4100/5								X

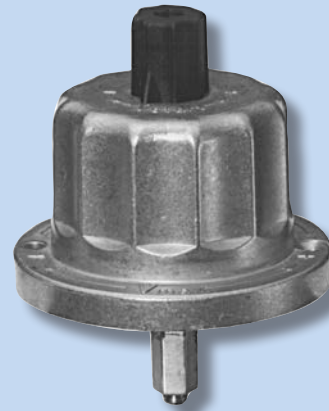
Klemmbox_Terminal box _ "E"

Artikelbezeichnung Article designation	Bestell-Nr. Order no.	IP Schutzklasse IP Protection	Anzahl (Stk.) Amount (pcs.)	12 V DC	24 V AC	100 V AC	110 V AC	120 V AC (US)	200 V AC	230 V AC	24-28 V DC	60E	61E	62E	70E
Terminal box	223164	IP 54	1							X		X			
Terminal box	223164	IP 54	1							X			X		
Terminal box	223164	IP 54	1							X				X	
Terminal box	223163	IP 54	1							X					X
Terminal box	247892	IP 54	1					X				X			
Terminal box	247892	IP 54	1					X					X		
Terminal box	247892	IP 54	1					X						X	

Leiterplatten_PCBs SV...

Artikelbezeichnung Article designation	Bestell-Nr. Order no.	Spannung Voltage	Solenoid 20 CE-Version	Solenoid 20 CSA + FM-Version	Solenoid 30 CE + CSA + FM-Version	Solenoid 40 CE + CSA + FM-Version	12 V DC	24 V AC	100 V AC	110 V AC	120 V AC (US)	200 V AC	230 V AC	24-28 V DC	elektrische Stromstärke electrical current
Ers.Set LP DC Mag 20 EU+UL	245139	DC	X	X										X	0 - 2,0 A
Ers.Set LP Mag 20 EU+UL	245143	AC	X	X				X							0,24 - 1,0 A
Ers.Set LP Mag 20 EU	245145	AC	X							X			X		0 - 0,24 A
Ers.Set LP Mag 20 UL	245147	AC		X							X				0 - 0,24 A
Ers.Set LP Mag 30,40 EU+UL	245149	DC			X	X								X	0 - 5,0 A
Ers.Set LP Mag 30,40EU+UL	245151	AC			X	X		X							0,53 - 3,2 A
Ers.Set LP Mag 30,40 EU+UL	245153	AC			X	X				X	X		X		0 - 0,53 A

Hydraulikbremse
Hydraulic brake

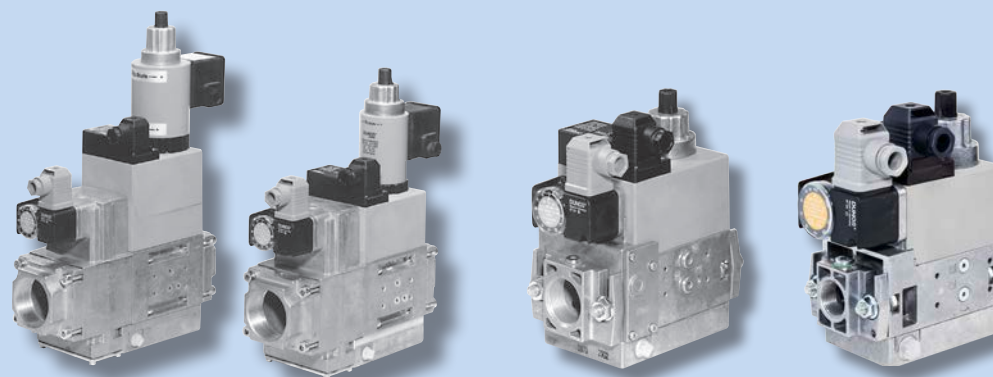


Produktgruppe Product Group	Ersatzteile • Replacement parts Bezeichnung • Designation
Hydraulikbremse Hydraulic brake	Hydraulikbremse Hydraulic brake DMV..., MB..., MV..., ZR..., SV...

Hydraulikbremse_Hydraulic brake DMV..., MB..., MV..., ZR..., SV...

Artikelbezeichnung Article designation	Bestell-Nr. Order no.	Rp 3/8	Rp 1/2	Rp 3/4	Rp 1	Rp 1 1/4	Rp 1 1/2	Rp 2	Rp 2 1/2	DN 40	DN 50	DN 65	DN 80	DN 100	DN 125	H10	H10/4	H11	H12/3	H12/6	H12/7	H12/8	H13
DMV-DLE 503/11	224455	X																					X
DMV-DLE 5040/11 - 5050/11	224457									X	X									X			
DMV-DLE 507 - 520/11	224457			X			X													X			
DMV-Z 507/512	223159			X															X				
DMV-Z 520	224457						X													X			
DMV-DLE 525/11	223158								X									X			X		
DMV-DLE 5065/11 - 5080/11	223158											X	X					X					
DMV-DLE 5100/11 - 5125/11	223157													X	X	X							
DMV-DLE 525/11 eco	240458								X												X		
DMV-DLE 5065/11 eco	240458											X									X		
DMV-DLE 5080/11 eco	223158												X					X					
DMV-DLE 5100/11 eco	223157													X		X							
DMV-DLE 5125/11 eco	246123														X		X						
DMV-DLE 5065/12	223158																		X				
DMV-DLE 5080/12	223157															X							
DMV-DLE 5100/12	246123																X						
MB 053/403 B01	224455	X																					X
MB-DLE/ZRDLE 405-415 B01/B07 bis/until 2016	223159		X				X												X				
MB-DLE/ZRDLE 405-407 B01/B07 ab/from 2016	273816		X	X																		X	
MB-DLE/ZRDLE 420 B01	224457							X												X			
MVDLE 203/5 + 503/5 bis/until 2016	223159	X																	X				
MVDLE 203/5 + 503/5 ab/from 2016	273816	X																				X	
MVDLE 205/5 + 505/5	223159		X																X				
MVDLE 207/5 - 2050/5	223158			X							X								X				
MVDLE 507/5 -5050/5	223158			X							X								X				
MVDLE 225/5	223157								X							X							
MVDLE 2065/5 - 2100/5	223157											X		X		X							
ZRLE/ZRDLE 407/5 - 4050/5	223158			X							X								X				
SV-DLE 507-520	224457			X			X													X			

**MB-B
GasMultiBloc®**



Produktgruppe Product Group	Ersatzteile • Replacement parts Bezeichnung • Designation
MB-B MultiBloc®	230 V AC/Ersatzmagnete/Replacement solenoid MB-...B...
	Leiterplatten/Replacement PCBs MB-B
	110 V AC/Ersatzmagnete/Replacement solenoid MB-...B...
	Filtereinsatz/Filter insert MB-...B...

230 V AC_Ersatzmagnete_Replacement solenoid MB-...B...

Artikelbezeichnung Article designation	Bestell-Nr. Order no.	Ansteuerung Opening	Magnet Typ Coil type	Rp 3/8	Rp 1/2	Rp 3/4	Rp 1	Rp 1 1/4	Rp 1 1/2	Rp 2	Rp 2 1/2	DN 40	DN 50	DN 65	DN 80	DN 100	DN 125	DN 150	DN 200	403 053	405 407	410 412	415	420	425
MB-D	224397	simultaneous	1000	X																X					
MB-D	224420	separate	1010	X																X					
MB-D B01	240115	simultaneous	1100		X	X															X				
MD-B B01 1.stage	224421	separate	1110		X	X															X				
MB-D B07 MB-ZR B07 1.stage	224422	separate	1120		X	X															X				
MB-ZR B01 1.stage	224402	simultaneous	1101		X	X															X				
MB-ZR B01 2.stage	224400	simultaneous	1150		X	X															X				
MB-ZR B01 2.stage	224429	separate	1150		X	X															X				
MB-ZR B07 2.stage	224429	separate	1150 *		X	X															X				
MB-VEF B01	224423	simultaneous	1105		X	X															X				
MB-VEF B01	225000	separate	1111		X	X															X				
MB-D B01	224399	simultaneous	1200				X	X															X		
MB-D B01	224399	simultaneous	1200						X														X		
MB-D B01 MB-ZR B01 MB-VEF 1.stage	224424	separate	1210				X	X															X		
MB-D B01	224424	separate	1210						X														X		
MB-D B07 MB-ZR B07 1.stage	224425	separate	1220				X	X															X		
MB-ZR B01 1.stage	224403	simultaneous	1201				X	X															X		
MB-ZR B01 1.stage	224403	simultaneous	1201						X														X		
MB-ZR B01 2.stage	224403	simultaneous	1250				X	X															X		
MB-ZR B01 2.stage	224401	simultaneous	1250						X														X		
MB-ZR B01 2.stage	224428	separate	1250 *				X	X															X		
MB-ZR B01 2.stage	224428	separate	1250 *						X														X		
MB-ZR B07 2.stage	224428	separate	1250 *				X	X															X		

230 V AC_Ersatzmagnete_Replacement solenoid MB-...B...

Artikelbezeichnung Article designation	Bestell-Nr. Order no.	Ansteuerung Opening	Magnet Typ Coil type	Rp 3/8	Rp 1/2	Rp 3/4	Rp 1	Rp 1 1/4	Rp 1 1/2	Rp 2	Rp 2 1/2	DN 40	DN 50	DN 65	DN 80	DN 100	DN 125	DN 150	DN 200	403 053	405 407	410 412	415	420	425	
* Terminal box																										
MB-VEF B01	224426	simultaneous	1205				X	X																		
MB-VEF B01	224424	separate	1210				X	X														X				
MB-VEF B01	224426	simultaneous	1205						X														X			
MB-VEF B01	241322	separate	1211						X													X				
MB-D...B01	228294	simultaneous	1230							X															X	
MB-ZR B01 1.stage	228295	simultaneous	1231							X															X	
MB-D B01	228296	separate	1232							X															X	
MB-ZR B01 1.stage	228296	separate	1232							X															X	
MB-ZR B01 2.stage	228297	simultaneous	1350							X															X	
MB-ZR B01 2.stage	228298	separate	1350 *							X															X	
MB-VEF B01	227251	simultaneous	1215							X															X	
MB-VEF	225048	separate	1212							X															X	
MB-VEF	226328	simultaneous	1405								X															X
MB-VEF	225167	separate	1411								X															X

Leiterplatten_PCBs MB-B (1_Stück_Pieces)

MB-Typ MB-Type	Bestell-Nr. Order no.	Magnet Typ Coil type	Spannung Voltage											
				12 V DC	24 V AC	100 V AC	110 V AC	120 V AC (US)	200 V AC	230 V AC	24-28 V DC	48 V DC		
MB-DLE 405 B01 S20/S50	263234	1100										X		
MB-DLE 405 B01 S22/S52	263235	1110										X		
MB-DLE 407 B01 S20/S50	263234	1100										X		
MB-DLE 407 B07 S22/S52	263236	1120										X		
MB-DLE 407 B01 S22/S52	263235	1110										X		
MB-DLE 410 B01 S20/S50	263237	1200										X		
MB-DLE 410 B01 S22/S52	263238	1210										X		
MB-DLE 412 B01 S20/S50	263237	1200										X		
MB-DLE 412 B01 S22/S52	263238	1210										X		
MB-DLE 415 B01 S20/S50	263237	1200										X		
MB-DLE 415 B01 S22/S52	263238	1210										X		
MB-DLE 420 B01 S20/S50	263239	1230										X		
MB-DLE 420 B01 S22/S52	263240	1232										X		
MB-ZRDLE 405 B01 S20/S50	263241	1101	first stage									X		
MB-ZRDLE 405 B01 S20/S50	263241	1150	second stage*									X		
MB-ZRDLE 407 B01 S20/S50	263241	1101	first stage									X		
MB-ZRDLE 407 B01 S20/S50	263241	1150	second stage*									X		
MB-ZRDLE 410 B01 S20/S50	263242	1201	first stage									X		
MB-ZRDLE 410 B01 S20/S50	263242	1250	second stage*									X		
MB-ZRDLE 412 B01 S20/S50	263242	1201	first stage									X		
MB-ZRDLE 412 B01 S20/S50	263242	1250	second stage*									X		
MB-ZRDLE 415 B01 S20/S50	263242	1201	first stage									X		
MB-ZRDLE 415 B01 S20/S50	263242	1250	second stage*									X		
MB-ZRDLE 420 B01 S20/S50	263243	1231	first stage									X		
MB-ZRDLE 420 B01 S20/S50	263243	1350	second stage*									X		

Leiterplatten_PCBs MB-B (1_Stück_Pieces)

MB-Typ MB-Type	Bestell-Nr. Order no.	Magnet Typ Coil type	Spannung Voltage	12 V DC	24 V AC	100 V AC	110 V AC	120 V AC (US)	200 V AC	230 V AC	24-28 V DC	48 V DC
MB-VEF 407 B01 S10/S30	263244	1105								X		
MB-VEF 407 B01 S12/S32	266144	1111								X		
MB-VEF 412 B01 S10/S30	263245	1205								X		
MB-VEF 412 B01 S12/S32	263238	1210								X		
MB-VEF 415 B01 S10/S30	263245	1205								X		
MB-VEF 415 B01 S12/S32	266147	1211								X		
MB-VEF 420 B01 S10/S30	263239	1215								X		
MB-VEF 420 B01 S12/S32	266147	1212								X		
MB-VEF 425 B01 S02/S30	263239	1405								X		
MB-VEF 425 B01 S12/S32	266147	1411								X		

* Elektrischer Anschluß über Haupt-PCB / Electrical connection via main PCB

110 V AC_Ersatzmagnete_Replacement solenoid MB-...B...

Artikelbezeichnung Article designation	Bestell-Nr. Order no.	Ansteuerung Opening	Magnet Typ Coil type	Rp 3/8	Rp 1/2	Rp 3/4	Rp 1	Rp 1 1/4	Rp 1 1/2	Rp 2	Rp 2 1/2	DN 40	DN 50	DN 65	DN 80	DN 100	DN 125	DN 150	DN 200	403 053	405 407	410 412	415	420	425
MB-D	231091	simultaneous	1000	X																X					
MB-D B01	245879	simultaneous	1100		X	X															X				
MD-B B01 1.stage	232371	separate	1110		X	X															X				
MB-D B07	230003	separate	1120		X	X															X				
MB-ZR B01 1.stage	230525	simultaneous	1101		X	X															X				
MB-ZR B01 2.stage	230523	simultaneous	1150		X	X															X				
MB-ZR B01 2.stage	230945	separate	1150 *		X	X															X				
MB-ZR B07 2.stage	230945	separate	1150 *		X	X															X				
MB-VEF B01	239241	simultaneous	1105		X	X															X				
MB-D B01	245886	simultaneous	1200				X	X															X		
MB-D B01	245886	simultaneous	1200						X														X		
MB-D B01	228619	separate	1210				X	X															X		
MB-D B01	228619	separate	1210						X														X		
MB-D B07	230005	separate	1220				X	X															X		
MB-ZR B01 1.stage	230006	simultaneous	1201				X	X														X			
MB-ZR B01 1.stage	230006	simultaneous	1201						X														X		
MB-ZR B01 2.stage	230007	simultaneous	1250				X	X														X			
MB-ZR B01 2.stage	230007	simultaneous	1250						X														X		
MB-ZR B01 2.stage	228552	separate	1250 *				X	X														X			
MB-ZR B01 2.stage	228552	separate	1250 *						X														X		
MB-ZR B07 2.stage	228552	separate	1250 *				X	X															X		
MB-VEF B01	231281	simultaneous	1205				X	X															X		
MB-VEF B01	231281	simultaneous	1205						X														X		

* Anschlusskasten, Terminal box

110 V AC_Ersatzmagnete_Replacement solenoid MB-...B...

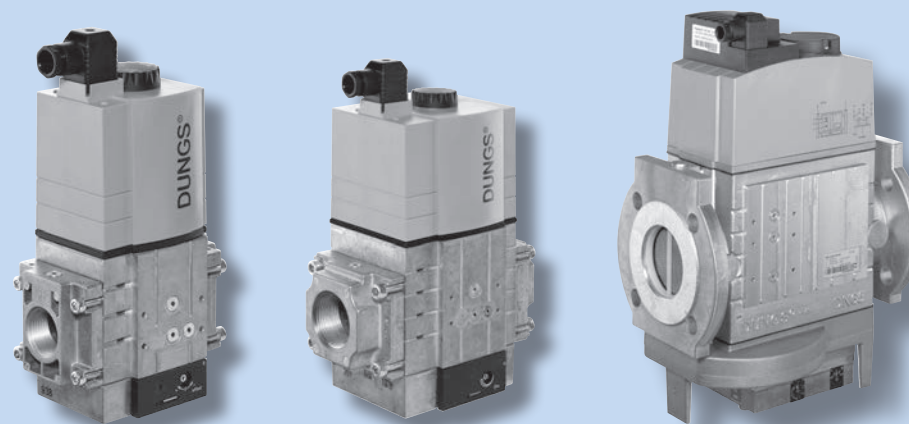
Artikelbezeichnung Article designation	Bestell-Nr. Order no.	Ansteuerung Opening	Magnet Typ Coil type	Rp 3/8	Rp 1/2	Rp 3/4	Rp 1	Rp 1 1/4	Rp 1 1/2	Rp 2	Rp 2 1/2	DN 40	DN 50	DN 65	DN 80	DN 100	DN 125	DN 150	DN 200	403 053	405 407	410 412	415	420	425
MB-D...B01	228299	simultaneous	1230							X															X
MB-VEF B01	228299	simultaneous	1230							X															X
MB-VEF B01	225049	separate	1212							X															X
MB-ZR B01 1.stage	245887	simultaneous	1231							X															X
MB-ZR B01 1.stage	228301	separate	1232							X															X
MB-D B01	228301	separate	1232							X															X
MB-ZR B01 2.stage	228302	simultaneous	1350							X															X
MB-ZR B01 2.stage	228303	separate	1350 *							X															X
MB-VEF B01	225168	simultaneous	1411							X															X

* Anschlusskasten, Terminal box

Filtereinsatz_Filter insert MB-...B...

Artikelbezeichnung Article designation	Bestell-Nr. Order no.	Typ Type	Farbe Color	Rp 3/8	Rp 1/2	Rp 3/4	Rp 1	Rp 1 1/4	Rp 1 1/2	Rp 2	Rp 2 1/2	DN 40	DN 50	DN 65	DN 80	DN 100	DN 125	DN 150	DN 200	403	405 407	410 412	415 420	425
Filter insert	222118	double filter		X																X				
Filter insert G4	222119		● blue		X																X			
Filter insert G4	222120		● blue				X	X														X		
Filter insert G4	226997	pre-mount filter	● blue						X	X													X	
Filter insert F7	252339		● pink		X																X			
Filter insert F7	252340		● pink				X	X														X		
Filter insert F7	252341		● pink						X	X													X	
Fine sieve	271103				X	X															X			
Fine sieve	N.N.						X	X														X		

**MBC
GasMultiBloc®**



Produktgruppe Product Group	Ersatzteile • Replacement parts Bezeichnung • Designation
MBC MultiBloc®	Ersatzmagnete/Replacement solenoid MBC
	Filtereinsatz/Filter insert MBC
	Sollwertfedern/Setpoint springs MBC-SE (DN 65-100)

Ersatzmagnete Replacement solenoid MBC

Artikelbezeichnung Article designation	Mag. Nr. Solenoid type	Magnetgehäuse Solenoid housing	Bestell-Nr. Order no.	Ansteuerung Opening	12 V DC	24 V AC	100 V AC	110 V AC	120 V AC (US)	200 V AC	230 V AC	24-28 V DC	48 V DC
MBC-300-...	032/P	Metall/metal	251136	separate	X								
MBC-300-...	032/P	Metall/metal	250680	separate		X							
MBC-300-...	032/P	Metall/metal	250371	separate				X					
MBC-300-...	032/P	Metall/metal	250372	separate							X		
MBC-300-...	032/P	Metall/metal	252191	separate								X	
MBC-300-...	032/2P	Kunststoff/plastic	265302	separate	X								
MBC-300-...	032/2P	Kunststoff/plastic	265298	separate				X					
MBC-300-...	032/2P	Kunststoff/plastic	265296	separate							X		
MBC-300-...	032/2P	Kunststoff/plastic	265300	separate								X	
MBC-700-...	042/P	Metall/metal	251226	separate	X								
MBC-700-...	042/P	Metall/metal	250681	separate		X							
MBC-700-...	042/P	Metall/metal	250175	separate				X					
MBC-700-...	042/P	Metall/metal	250375	separate							X		
MBC-700-...	042/P	Metall/metal	252192	separate								X	
MBC-700-...	042/2P	Kunststoff/plastic	265299	separate				X					
MBC-700-...	042/2P	Kunststoff/plastic	265297	separate							X		
MBC-700-...	042/2P	Kunststoff/plastic	265301	separate								X	
MBC-1200-...	052/P	Kunststoff/plastic	252613	separate				X					
MBC-1200-...	052/P	Kunststoff/plastic	250376	separate							X		
MBC-1200-...	052/P	Kunststoff/plastic	252193	separate								X	
MBC-1900-...	1511/2P	Kunststoff/plastic	253713	separate				X					
MBC-1900-...	1511/2P	Kunststoff/plastic	247869	separate							X		
MBC-1900-...	1511/2P	Kunststoff/plastic	248503	separate								X	
MBC-3100-...	1611/2P	Kunststoff/plastic	253677	separate				X					
MBC-3100-...	1611/2P	Kunststoff/plastic	247870	separate							X		
MBC-3100-...	1611/2P	Kunststoff/plastic	248504	separate								X	

Ersatzmagnete Replacement solenoid MBC

Artikelbezeichnung Article designation	Mag. Nr. Solenoid type	Magnetgehäuse Solenoid housing	Bestell-Nr. Order no.	Ansteuerung Opening	12 V DC	24 V AC	100 V AC	110 V AC	120 V AC (US)	200 V AC	230 V AC	24-28 V DC	48 V DC
MBC-5000-...	1711/2P	Kunststoff/plastic	253676	separate				X					
MBC-5000-...	1711/2P	Kunststoff/plastic	247871	separate							X		
MBC-5000-...	1711/2P	Kunststoff/plastic	248505	separate								X	

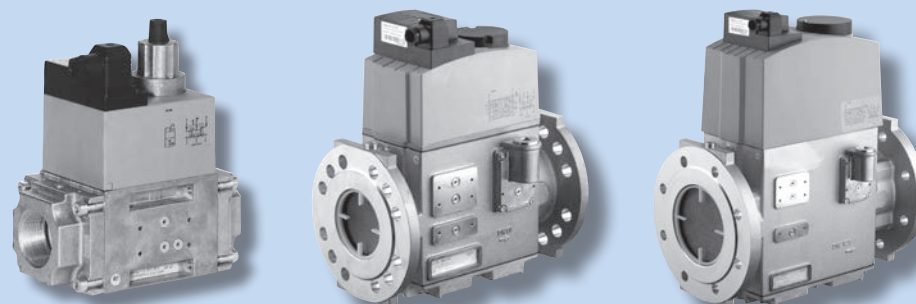
Filter MBC-SE/VEF 300-1200

Artikelbezeichnung Article designation	Bestell-Nr. Order no.	Typ Type	Farbe Color	MBC MBC	DN / Rp DN / Rp	Rp 3/8	Rp 1/2	Rp 3/4	Rp 1	Rp 1 1/4	Rp 1 1/2	Rp 2	Rp 2 1/2	DN 40	DN 50	DN 65	DN 80	DN 100	DN 125	DN 150	DN 200	
Filter insert G4	241916	Standard	● blue	MBC-300	Rp 1				X													
Filter insert G4	242072	Standard	● blue	MBC-700	Rp 1 1/2						X											
Filter insert G4	245624	Standard	● blue	MBC-1200	Rp 2							X										
Filter insert F7	252342		● pink	MBC-300	Rp 1				X													
Filter insert F7	252343		● pink	MBC-700	Rp 1 1/2						X											
Filter insert F7	252344		● pink	MBC-1200	Rp 2							X										

MBC-...-SE DN 65 - DN 100 Sollwertfedern_Setpoint springs

Artikelbezeichnung Article designation	Bestell-Nr. Order no.	Farbe Color	p _{max.} [mbar]	Rp 3/8	Rp 1/2	Rp 3/4	Rp 1	Rp 1 1/4	Rp 1 1/2	Rp 2	Rp 2 1/2	DN 40	DN 50	DN 65	DN 80	DN 100	DN 125	DN 150	DN 200
MBC-...-SE Set	246021	---	4 - 20 mbar											X	X	X			
MBC-...-SE Set	246022	● red	20 - 40 mbar											X	X	X			
MBC-...-SE Set	246023	● black	40 - 80 mbar											X	X	X			
MBC-...-SE Set	246024	● green	80 - 150 mbar											X	X	X			

DMV-...
Doppelmagnetventile
Double solenoid valves



Produktgruppe Product Group	Ersatzteile • Replacement parts Bezeichnung • Designation
DMV-... Doppelmagnetventil Double solenoid valves	Ersatzmagnete/Replacement solenoid DMV-...
	Ersatzmagnete/Replacement solenoid DMV-.../11 eco, DMV-.../12
	Leiterplatten/Replacement PCBs DMV...
	Leiterplatten/Replacement PCBs DMV-.../11 eco, DMV-.../12, MBC-...

Ersatzmagnete_Replacement solenoid DMV...

Artikelbezeichnung Article designation	Gültig ab Valid from	Bestell-Nr. Order no.	Magnet Typ Coil type	Steckeranschluss Plug connection	PG-Verschraubung PG cable entry	Rp 3/8	Rp 1/2	Rp 3/4	Rp 1	Rp 1 1/4	Rp 1 1/2	Rp 2	Rp 2 1/2	DN 40	DN 50	DN 65	DN 80	DN 100	DN 125	12 V DC	24 V AC	100 V AC	110 V AC	120 V AC (US)	200 V AC	230 V AC	24-28 V DC
DMV-D 503/11		224999	1011	X		X																					X
DMV-D 503/11		224997	1011	X		X																X	X				
DMV-D 503/11		224980	1011	X		X																			X		
DMV-D 507/11 DMV-Z...507/11		225003	1111	X				X																			X
DMV-D 507/11 DMV-Z...507/11		225001	1111	X				X														X	X				
DMV-D 507/11 DMV-Z...507/11		225000	1111	X				X																	X		
DMV 512/11 DMV-Z...512/11		225028	1211	X						X																	X
DMV-D 512/11 DMV-Z...512/11		225005	1211	X						X												X	X				
DMV-D 512/11 DMV-Z...512/11		225004	1211	X						X															X		
DMV-D 520/11 DMV-Z...520/11		225051	1212	X								X															X
DMV-D 520/11 DMV-Z...520/11		225049	1212	X								X										X	X				
DMV-D 520/11 DMV-Z...520/11		225048	1212	X								X													X		
DMV-D 5040/11 DMV-D 5050/11	1997-09	225051	1212	X											X												X
DMV-D 5040/11 DMV-D 5050/11	1997-09	225049	1212	X											X							X	X				
DMV-D 5040/11 DMV-D 5050/11	1997-09	225048	1212	X											X										X		

Ersatzmagnete_Replacement solenoid DMV...

Artikelbezeichnung Article designation	Gültig ab Valid from	Bestell-Nr. Order no.	Magnet Typ Coil type	Steckeranschluss Plug connection	PG-Verschraubung PG cable entry	Rp 3/8	Rp 1/2	Rp 3/4	Rp 1	Rp 1 1/4	Rp 1 1/2	Rp 2	Rp 2 1/2	DN 40	DN 50	DN 65	DN 80	DN 100	DN 125	12 V DC	24 V AC	100 V AC	110 V AC	120 V AC (US)	200 V AC	230 V AC	24-28 V DC
DMV-D 5040/11 DMV-D 5050/11	1997-09	225093	1262		X										X												X
DMV-D 5040/11 DMV-D 5050/11	1997-09	225091	1262		X										X							X	X				
DMV-D 5040/11 DMV-D 5050/11	1997-09	225090	1262		X										X											X	
DMV-D 5065/11		225170	1411	X												X											X
DMV-D 5065/11		225168	1411	X												X							X	X			
DMV-D 5065/11		225167	1411	X												X										X	
DMV-D 5065/11		225101	1461		X											X											X
DMV-D 5065/11		225099	1461		X											X							X	X			
DMV-D 5065/11		225098	1461		X											X											X
DMV-D 5080/11		225219	1511	X														X									X
DMV-D 5080/11		225217	1511	X														X					X	X			
DMV-D 5080/11		225171	1511	X														X								X	
DMV-D 5080/11		225105	1561		X													X									X
DMV-D 5080/11		225103	1561		X													X					X	X			
DMV-D 5080/11		225102	1561		X													X								X	
DMV-D 5100/11		225224	1611	X														X									X
DMV-D 5100/11		225222	1611	X														X					X	X			
DMV-D 5100/11		225220	1611	X														X								X	
DMV-D 5100/11		225109	1661		X													X									X
DMV-D 5100/11		225107	1661		X													X					X	X			
DMV-D 5100/11		225106	1661		X													X								X	
DMV-D 5125/11		225228	1711	X																						X	

Ersatzmagnete_Replacement solenoid DMV...

Artikelbezeichnung Article designation	Gültig ab Valid from	Bestell-Nr. Order no.	Magnet Typ Coil type	Steckeranschluss Plug connection	PG-Verschraubung PG cable entry	Rp 3/8	Rp 1/2	Rp 3/4	Rp 1	Rp 1 1/4	Rp 1 1/2	Rp 2	Rp 2 1/2	DN 40	DN 50	DN 65	DN 80	DN 100	DN 125	12 V DC	24 V AC	100 V AC	110 V AC	120 V AC (US)	200 V AC	230 V AC	24-28 V DC
DMV-D 5125/11		225226	1711	X															X			X	X				
DMV-D 5125/11		225225	1711	X															X						X		
DMV-D 5125/11		225115	1761		X														X								X
DMV-D 5125/11		225113	1761		X														X			X	X				
DMV-D 5125/11		225110	1761		X														X						X		
DMV-Z...507/11		224429	1150		X			X																		X	
DMV-Z...512/11		224428	1250		X					X																X	
DMV-Z...520/11		228298	1350		X							X														X	

Ersatzmagnete_Replacement solenoid DMV-... /11 eco, DMV-... /12

Artikelbezeichnung Article designation	Gültig Valid	Bestell-Nr. Order no.	Magnet Typ Coil type	getrennt angesteuert Independently operated	Rp 1 ¼	Rp 1 ½	Rp 2	Rp 2 ½	DN 40	DN 50	DN 65	DN 80	DN 100	DN 125	24 V AC	100 V AC	110 V AC	120 V AC (US)	200 V AC	230 V AC	24-28 V DC
DMV 525/11 eco	until 2010-12	248494	1411/2P	X			X				X									X	
DMV-D 525/11 eco	until 2010-12	248494	1411/2P	X			X				X										X
DMV 5065/11 eco	until 2010-12	248494	1411/2P	X			X				X										X
DMV-D 5065/11 eco	until 2010-12	248494	1411/2P	X			X				X										X
DMV 5065/11 eco	2011-01	256633	1411/2P	X			X				X										X
DMV 525/11 eco	2011-01	256633	1411/2P	X			X				X										X
DMV 5065/11 eco	2011-01	255478	1411/2P	X			X				X						X				
DMV 525/11 eco	2011-01	255478	1411/2P	X			X				X						X				
DMV 5065/11 eco	2011-01	255477	1411/2P	X			X				X										X
DMV 525/11 eco	2011-01	255477	1411/2P	X			X				X										X
DMV-D 5065/11 eco	2011-01	256630	1411/2P	X			X				X						X				
DMV-D 525/11 eco	2011-01	256630	1411/2P	X			X				X						X				
DMV-D 5065/11 eco	2011-01	256629	1411/2P	X			X				X										X
DMV-D 525/11 eco	2011-01	256629	1411/2P	X			X				X										X
DMV-DLE 5065/11 eco	2011-01	256632	1411/2PL	X							X						X				
DMV-DLE 5065/11 eco	2011-01	256631	1411/2PL	X							X										X
DMV 5080/11 eco		248503	1511/2P	X							X	X									X
DMV-D 5080/11 eco		248503	1511/2P	X							X	X									X
DMV 5065/12		248503	1511/2P	X							X	X									X
DMV-D 5065/12		248503	1511/2P	X							X	X									X
DMV 5080/11 eco		253713	1511/2P	X							X	X					X				
DMV-D 5080/11 eco		253713	1511/2P	X							X	X					X				
DMV 5065/12		253713	1511/2P	X							X	X					X				
DMV-D 5065/12		253713	1511/2P	X							X	X					X				
DMV 5080/11 eco		247869	1511/2P	X							X	X									X
DMV-D 5080/11 eco		247869	1511/2P	X							X	X									X

Ersatzmagnete_Replacement solenoid DMV-... /11 eco, DMV-... /12

Artikelbezeichnung Article designation	Gültig Valid	Bestell-Nr. Order no.	Magnet Typ Coil type	getrennt angesteuert Independently operated	Rp 1 ¼	Rp 1 ½	Rp 2	Rp 2 ½	DN 40	DN 50	DN 65	DN 80	DN 100	DN 125	24 V AC	100 V AC	110 V AC	120 V AC (US)	200 V AC	230 V AC	24-28 V DC
DMV 5065/12		247869	1511/2P	X							X	X								X	
DMV-D 5065/12		247869	1511/2P	X							X	X									X
DMV-DLE 5080/11 eco		262826	1511/2PL	X							X	X					X				
DMV-DLE 5065/12		262826	1511/2PL	X							X	X					X				
DMV-DLE 5080/11 eco		248496	1511/2PL	X							X	X									X
DMV-DLE 5065/12		248496	1511/2PL	X							X	X									X
DMV 5100/11 eco		248504	1611/2P	X								X	X								X
DMV-D 5100/11 eco		248504	1611/2P	X								X	X								X
DMV 5080/12		248504	1611/2P	X								X	X								X
DMV-D 5080/12		248504	1611/2P	X								X	X								X
DMV 5100/11 eco		253677	1611/2P	X								X	X				X				
DMV-D 5100/11 eco		253677	1611/2P	X								X	X				X				
DMV 5080/12		253677	1611/2P	X								X	X				X				
DMV-D 5080/12		253677	1611/2P	X								X	X				X				
DMV 5100/11 eco		247870	1611/2P	X								X	X								X
DMV-D 5100/11 eco		247870	1611/2P	X								X	X								X
DMV 5080/12		247870	1611/2P	X								X	X								X
DMV-D 5080/12		247870	1611/2P	X								X	X								X
DMV-DLE 5100/11 eco		262825	1611/2PL	X								X	X				X				
DMV-DLE 5080/12		262825	1611/2PL	X								X	X				X				
DMV-DLE 5100/11 eco		248498	1611/2PL	X								X	X								X
DMV-DLE 5080/12		248498	1611/2PL	X								X	X								X
DMV 5125/11 eco		248505	1711/2P	X									X	X							X
DMV-D 5125/11 eco		248505	1711/2P	X									X	X							X
DMV 5100/12		248505	1711/2P	X									X	X							X
DMV-D 5100/12		248505	1711/2P	X									X	X							X

Ersatzmagnete_Replacement solenoid DMV-... /11 eco, DMV-... /12

Artikelbezeichnung Article designation	Gültig Valid	Bestell-Nr. Order no.	Magnet Typ Coil type	getrennt angesteuert Independantly operated	Rp 1 ¼	Rp 1 ½	Rp 2	Rp 2 ½	DN 40	DN 50	DN 65	DN 80	DN 100	DN 125	24 V AC	100 V AC	110 V AC	120 V AC (US)	200 V AC	230 V AC	24-28 V DC
DMV 5125/11 eco		253676	1711/2P	X									X	X			X				
DMV-D 5125/11 eco		253676	1711/2P	X									X	X			X				
DMV 5100/12		253676	1711/2P	X									X	X			X				
DMV-D 5100/12		253676	1711/2P	X									X	X			X				
DMV 5125/11 eco		247871	1711/2P	X									X	X						X	
DMV-D 5125/11 eco		247871	1711/2P	X									X	X						X	
DMV 5100/12		247871	1711/2P	X									X	X						X	
DMV-D 5100/12		247871	1711/2P	X									X	X						X	
DMV-DLE 5125/11 eco		262824	1711/2PL	X									X	X			X				
DMV-DLE 5100/12		262824	1711/2PL	X									X	X			X				
DMV-DLE 5125/11 eco		248500	1711/2PL	X									X	X						X	
DMV-DLE 5100/12		248500	1711/2PL	X									X	X						X	
DMV 5125/12		248506	1811/2P	X										X							X
DMV-D 5125/12		248506	1811/2P	X										X							X
DMV 5125/12		247872	1811/2P	X										X						X	
DMV-D 5125/12		247872	1811/2P	X										X						X	

Leiterplatten_PCBs DMV... (1_Stück_Piece)

Artikelbezeichnung Article designation	Bestell-Nr. Order no.	Kommentar Comment	Gültig bis Valid until	Gültig ab Valid from	Magnet Typ Coil type	Plug DIN 43650 A	Terminal plugs	Rp 3/8	Rp 1/2	Rp 3/4	Rp 1	Rp 1 1/4	Rp 1 1/2	Rp 2	Rp 2 1/2	DN 40	DN 50	DN 65	DN 80	DN 100	DN 125	12 V DC	110 V AC	120 V AC (US)	200 V AC	230 V AC	24-28 V DC	
220 - 240 VAC	266141				1011	X	X																			X		
220 - 240 VAC	266144				1111	X				X																	X	
220 - 240 VAC	266144		1997-08		1311	X										X											X	
220 - 240 VAC	266144		1997-08		1311	X											X										X	
220 - 240 VAC	266147			1997-09	1212	X										X											X	
220 - 240 VAC	266147			1997-09	1212	X											X										X	
220 - 240 VAC	266147				1211, 1212, 1411, 1511	X						X															X	
220 - 240 VAC	266147				1211, 1212, 1411, 1511	X								X													X	
220 - 240 VAC	266147				1211, 1212, 1411, 1511	X									X												X	
220 - 240 VAC	266147				1211, 1212, 1411, 1511	X												X									X	
220 - 240 VAC	266148				1611, 1711	X															X						X	
220 - 240 VAC	266148				1611, 1711	X																X					X	
110 - 120 VAC	266142				1011	X	X																X	X				
110 - 120 VAC	266145				1111	X				X													X	X				
110 - 120 VAC	266145		1997-08		1311	X											X						X	X				
110 - 120 VAC	266145		1997-08		1311	X											X						X	X				
110 - 120 VAC	266149			1997-09	1212	X											X						X	X				
110 - 120 VAC	266149			1997-09	1212	X											X						X	X				
110 - 120 VAC	266149				1211, 1212, 1411, 1511	X						X											X	X				
110 - 120 VAC	266149				1211, 1212, 1411, 1511	X								X									X	X				
110 - 120 VAC	266149				1211, 1212, 1411, 1511	X									X								X	X				

Leiterplatten_PCBs DMV... (1_Stück_Piece)

Artikelbezeichnung Article designation	Bestell-Nr. Order no.	Kommentar Comment	Gültig bis Valid until	Gültig ab Valid from	Magnet Typ Coil type	Plug DIN 43650 A	Terminal plugs	Rp 3/8	Rp 1/2	Rp 3/4	Rp 1	Rp 1 1/4	Rp 1 1/2	Rp 2	Rp 2 1/2	DN 40	DN 50	DN 65	DN 80	DN 100	DN 125	12 V DC	110 V AC	120 V AC (US)	200 V AC	230 V AC	24-28 V DC
110 - 120 VAC	266149				1211, 1212, 1411, 1511	X												X					X	X			
110 - 120 VAC	266149				1211, 1212, 1411, 1511	X													X				X	X			
110 - 120 VAC	266150				1611, 1711	X														X			X	X			
110 - 120 VAC	266150				1611, 1711	X															X		X	X			
...VDC	266143				1011	X	X																			X	
...VDC	266146				1111	X				X																X	
...VDC	266146		1997-08		1311	X										X										X	
...VDC	266146		1997-08		1311	X											X									X	
...VDC	266151			1997-09	1212	X										X										X	
...VDC	266151			1997-09	1212	X											X									X	
...VDC	266151				1211, 1212, 1411, 1511	X						X														X	
...VDC	266151				1211, 1212, 1411, 1511	X								X												X	
...VDC	266151				1211, 1212, 1411, 1511	X												X								X	
...VDC	266151				1211, 1212, 1411, 1511	X													X							X	
...VDC	266151				1611, 1711	X														X						X	
...VDC	266151				1611, 1711	X															X					X	
							X																				
220 - 240 VAC		*			1161		X																			X	
220 - 240 VAC		*	1997-08		1361		X																			X	
220 - 240 VAC		**		1997-09	1261 > 1211		X			X																X	
220 - 240 VAC		**		1997-09	1262 > 1212		X			X																X	

Leiterplatten_PCBs DMV... (1_Stück_Piece)

Artikelbezeichnung Article designation	Bestell-Nr. Order no.	Kommentar Comment	Gültig bis Valid until	Gültig ab Valid from	Magnet Typ Coil type	Plug DIN 43650 A	Terminal plugs	Rp 3/8	Rp 1/2	Rp 3/4	Rp 1	Rp 1 1/4	Rp 1 1/2	Rp 2	Rp 2 1/2	DN 40	DN 50	DN 65	DN 80	DN 100	DN 125	12 V DC	110 V AC	120 V AC (US)	200 V AC	230 V AC	24-28 V DC
220 - 240 VAC	266152				1261, 1262, 1461, 1561		X					X														X	
220 - 240 VAC	266152				1261, 1262, 1461, 1561		X							X													X
220 - 240 VAC	266152				1261, 1262, 1461, 1561		X								X												X
220 - 240 VAC	266152				1261, 1262, 1461, 1561		X											X									X
220 - 240 VAC	266152				1261, 1262, 1461, 1561		X												X								X
220 - 240 VAC	266153				1661, 1761		X													X							X
220 - 240 VAC	266153				1661, 1761		X														X						X
110 - 120 VAC		*			1161		X																X	X			
110 - 120 VAC		*	1997-08		1361		X																X	X			
110 - 120 VAC		**			1262 > 1212																		X	X			
110 - 120 VAC	266154				1261, 1262, 1461, 1561		X					X											X	X			
110 - 120 VAC	266154				1261, 1262, 1461, 1561		X							X									X	X			
110 - 120 VAC	266154				1261, 1262, 1461, 1561		X											X					X	X			
110 - 120 VAC	266154				1261, 1262, 1461, 1561		X												X				X	X			
110 - 120 VAC	266155				1661, 1761		X													X			X	X			
110 - 120 VAC	266155				1661, 1761		X														X		X	X			
...VDC		*			1161		X																				X
...VDC		*	1997-08		1361		X																				X
...VDC		**		1997-09	1262 > 1212		X		X																		X
...VDC	266156				1261, 1262, 1461, 1561		X					X															X
...VDC	266156				1261, 1262, 1461, 1561		X							X													X

Leiterplatten_PCBs DMV... (1_Stück_Piece)

Artikelbezeichnung Article designation	Bestell-Nr. Order no.	Kommentar Comment	Gültig bis Valid until	Gültig ab Valid from	Magnet Typ Coil type	Plug DIN 43650 A	Terminal plugs	Rp 3/8	Rp 1/2	Rp 3/4	Rp 1	Rp 1 1/4	Rp 1 1/2	Rp 2	Rp 2 1/2	DN 40	DN 50	DN 65	DN 80	DN 100	DN 125	12 V DC	110 V AC	120 V AC (US)	200 V AC	230 V AC	24-28 V DC
...VDC	266156				1261, 1262, 1461, 1561	X									X												X
...VDC	266156				1261, 1262, 1461, 1561	X													X								X
...VDC	266156				1261, 1262, 1461, 1561	X													X								X
...VDC	266156				1661, 1761	X														X							X
...VDC	266156				1661, 1761	X															X						X

* not available any longer, new valve

** Replacement through solenoid with plug connection

Leiterplatten-PCB s DMV-.../11 eco, DMV-.../12, MBC-...

Artikelbezeichnung Article designation	Bestell-Nr. Order no.	Kommentar Comment	Magnet Typ Coil type	Rp 3/8	Rp 1/2	Rp 3/4	Rp 1	Rp 1 1/4	Rp 1 1/2	Rp 2	Rp 2 1/2	DN 40	DN 50	DN 65	DN 80	DN 100	DN 125	DN 150	DN 200	12 V DC	24 V AC	100 V AC	110 V AC	120 V AC (US)	200 V AC	230 V AC	24-28 V DC
DMV 525/11 eco DMV-D 525/11 eco		only complete solenoid	1411/2P							X																	
DMV 5065/11 eco DMV-D 5065/11 eco		only complete solenoid	1411/2P											X													
DMV 5080/11 eco DMV-D 5080/11 eco	248492		1511/2P												X											X	
DMV 5080/11 eco DMV-D 5080/11 eco	257137		1511/2P												X							X					
DMV 5080/11 eco DMV-D 5080/11 eco	257604		1511/2P												X												X
DMV 5100/11 eco DMV-D 5100/11 eco	248492		1611/2P													X										X	
DMV 5100/11 eco DMV-D 5100/11 eco	257137		1611/2P													X						X					
DMV 5100/11 eco DMV-D 5100/11 eco	257604		1611/2P													X											X
DMV 5125/11 eco DMV-D 5125/11 eco	248492		1711/2P														X									X	
DMV 5125/11 eco DMV-D 5125/11 eco	257137		1711/2P														X						X				
DMV 5125/11 eco DMV-D 5125/11 eco	257604		1711/2P														X										X
DMV-DLE 5065/11 eco		only complete solenoid	1411/2PL											X													
DMV-DLE 5080/11 eco	248493		1511/2PL												X											X	
DMV-DLE 5080/11 eco	262827		1511/2PL												X								X				
DMV-DLE 5100/11 eco	248493		1611/2PL													X										X	
DMV-DLE 5100/11 eco	262827		1511/2PL													X							X				
DMV-DLE 5125/11 eco	248493		1711/2PL														X									X	

Leiterplatten-PCB s DMV-.../11 eco, DMV-.../12, MBC-...

Artikelbezeichnung Article designation	Bestell-Nr. Order no.	Kommentar Comment	Magnet Typ Coil type	Rp 3/8	Rp 1/2	Rp 3/4	Rp 1	Rp 1 1/4	Rp 1 1/2	Rp 2	Rp 2 1/2	DN 40	DN 50	DN 65	DN 80	DN 100	DN 125	DN 150	DN 200	12 V DC	24 V AC	100 V AC	110 V AC	120 V AC (US)	200 V AC	230 V AC	24-28 V DC
DMV-DLE 5125/11 eco	262827		1711/2PL														X					X					
DMV 525/12 DMV-D 525/12		only complete solenoid	1411/2P							X																	
DMV 5065/12 DMV-D 5065/12	248492		1511/2P												X											X	
DMV 5065/12 DMV-D 5065/12	257137		1511/2P												X							X					
DMV 5065/12 DMV-D 5065/12	257604		1511/2P												X												X
DMV 5080/12 DMV-D 5080/12	248492		1611/2P												X										X		
DMV 5080/12 DMV-D 5080/12	257137		1611/2P												X							X					
DMV 5080/12 DMV-D 5080/14	257604		1611/2P												X												X
DMV 5100/12 DMV-D 5100/12	248492		1711/2P													X										X	
DMV 5100/12 DMV-D 5100/12	257137		1711/2P													X						X					
DMV 5100/12 DMV-D 5100/12	257604		1711/2P													X											X
DMV 5125/12 DMV-D 5125/12	248492		1811/2P														X								X		
DMV 5125/12 DMV-D 5125/12	257137		1811/2P														X					X					
DMV 5125/12 DMV-D 5125/12	257604		1811/2P														X										X
DMV-DLE 5065/12	248493		1511/2PL												X											X	
DMV-DLE 5080/12	248493		1611/2PL												X											X	
DMV-DLE 5100/12	248493		1711/2PL													X										X	

Leiterplatten-PCB s DMV-.../11 eco, DMV-.../12, MBC-...

Artikelbezeichnung Article designation	Bestell-Nr. Order no.	Kommentar Comment	Magnet Typ Coil type	Rp 3/8	Rp 1/2	Rp 3/4	Rp 1	Rp 1 1/4	Rp 1 1/2	Rp 2	Rp 2 1/2	DN 40	DN 50	DN 65	DN 80	DN 100	DN 125	DN 150	DN 200	12 V DC	24 V AC	100 V AC	110 V AC	120 V AC (US)	200 V AC	230 V AC	24-28 V DC	
MBC-1900 ...	248492		1511/2P											X												X		
MBC-1900 ...	257137		1511/2P											X									X					
MBC-1900 ...	257604		1511/2P											X													X	
MBC-3100 ...	248492		1611/2P												X											X		
MBC-3100 ...	257137		1611/2P												X								X					
MBC-3100 ...	257604		1611/2P																								X	
MBC-5000 ...	248492		1711/2P													X										X		
MBC-5000 ...	257137		1711/2P													X												
MBC-5000 ...	257604		1711/2P													X											X	

O-Ringe
O rings

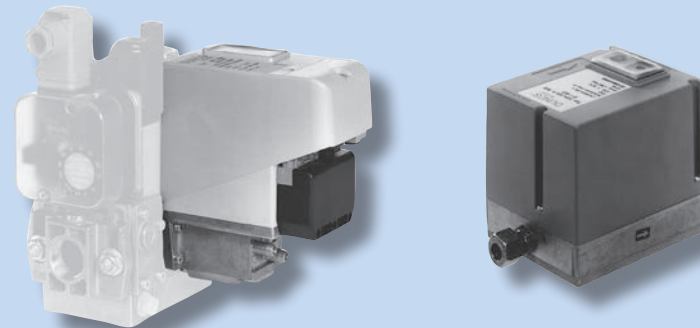


Produktgruppe Product Group	Ersatzteile • Replacement parts Bezeichnung • Designation
O-Ringe O-rings	Ersatz O-Ringe Replacement O-rings DMV-... + MB-... B0x

Replacement O-rings DMV-... + MB-... B0x

Artikelbezeichnung Article designation	Bestell-Nr. Order no.	Prod. Familie Prod. Family	Kommentar Comment	Länge [mm] Length [mm]	Breite [mm] Width [mm]	Rp 3/8	Rp 1/2	Rp 3/4	Rp 1	Rp 1 1/4	Rp 1 1/2	Rp 2	Rp 2 1/2
* 6-eckige Dichtung, hex. Seal													
for DMV 503	230442	DMV		45,00	3,00	X							
for DMV 507	230443	DMV		57,00	3,00			X					
for DMV 512/520	230444	DMV		75,00	3,50					X		X	
for DMV 525	231574	DMV											X
for MB 403	242117	MB-B	*	Inlet: 42,00 Outlet: 36,00	Inlet: 2,50 Outlet: 3,00	X							
for MB 405 / 407	242118	MB-B		36,00	3,00		X	X					
for MB 410 / 412	242119	MB-B		50,00	3,00				X	X			
for MB 415/420	230444	MB-B		75,00	3,50						X	X	
for MB 425	231574	MB-B	*										X
MBC-300	230443	MBC		57,00	3,00				X				
MBC-700 MBC-1200	230444	MBC		75,00	3,50						X		

Ventilprüfsysteme
Valve proving systems

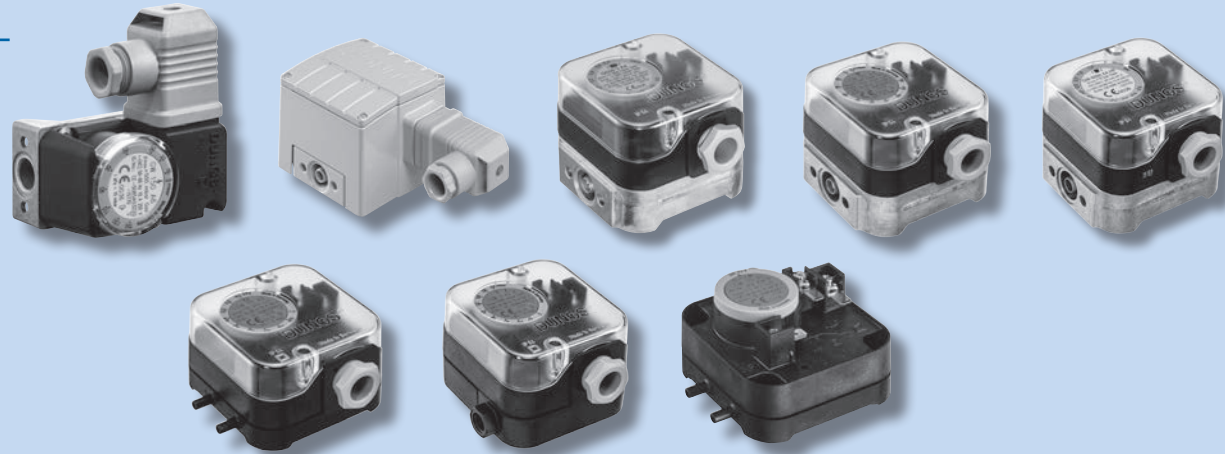


Produktgruppe Product Group	Ersatzteile • Replacement parts Bezeichnung • Designation
Ventilprüfsysteme Valve proving systems	Ersatzhaube/Sicherung/Filter Replacement hood/Fuse/Filter VDK..., VPS...

Ersatzhaube_Sicherung_Filter, Replacement hood_Fuse_Filter VDK..., VPS...

Artikelbezeichnung Article designation	Bestell-Nr. Order no.	12 V DC	24 V AC	100 V AC	110 V AC	120 V AC (US)	200 V AC	230 V AC	24-28 V DC	VDK 200 S02	VPS 504 S01	VPS 504 S02	VPS 504 S03	VPS 504 S04	VPS 504 S05
Replacement hood 230 VAC 50 Hz	224100							X		X					
Replacement hood 120 VAC 60 Hz	224098					X				X					
Equipment fuse-link T 6,3 A 250 V (IEC127-2/III) D 5 x 20 (5 Stück-pieces)	231780							X		X	X	X	X	X	X
Filter replacement set VPS 504	243801										X	X	X	X	X
Plug 7-pol (1 piece)	231807											X			

Druckwächter
Pressure switches

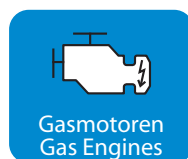


Produktgruppe Product Group	Ersatzteile • Replacement parts Bezeichnung • Designation
Druckwächter Pressure switches	Druckwächter Ersatzteile Pressure switch spare parts

Druckwächter / Pressure switches

Artikelbezeichnung Article designation	Bestell-Nr. Order no.	Farbe Color	Prod. Familie Prod. Family	DN / Rp DN / Rp	100 V AC	110 V AC	120 V AC (US)	200 V AC	230 V AC	24-28 V DC	LGWA1	LGWA2/7	LGW A2P	LGWA4	GWA5	GWA6	GGWA4	GWA4HP	NB/ÜB A4	NB/ÜB A2
Screw for measurement gland ø 5 x 11,5	266036		Pressure connection											X	X	X	X		X	
Screw cap with seal ring G ¼	266044		Pressure connection	G ¼										X		X	X		X	
Test gland w. sealing ring G ¼	266042		Pressure connection	G ¼										X		X	X		X	
Adapter ø 4 / ø 6	266037		Pressure connection								X	X								
Hose ø 4 mm x 2 m	266038		Pressure connection								X	X								
Glow lamp yellow 230 V	266039	● yellow	Lamp / LED					X	X										X	X
Glow lamp yellow 120 V	244156	● yellow	Lamp / LED		X	X	X												X	X
LED yellow 24 V DC	244157	● yellow	Lamp / LED							X									X	X
Glow lamp green 230 V	248239	● green	Mounting kit Lamp/LED					X	X			X	X	X			X	X	X	X
Glow lamp yellow 230 V	231773	● yellow	Mounting kit Lamp/LED					X	X			X	X	X			X	X	X	X
Glow lamp yellow 120 V	231772	● yellow	Mounting kit Lamp/LED		X	X	X					X	X	X			X	X	X	X
LED green 24 V DC	248240	● green	Mounting kit Lamp/LED							X		X	X	X			X	X	X	X
LED yellow 24 V DC	231774	● yellow	Mounting kit Lamp/LED							X		X	X	X			X	X	X	X

www.dungs.com



DUNGS®
Combustion Controls

Karl Dungs GmbH & Co. KG
Karl-Dungs-Platz 1
D-73660 Urbach, Germany
Telefon +49(0)7181-804-0
Telefax +49(0)7181-804-166
info@dungs.com
www.dungs.com

2018