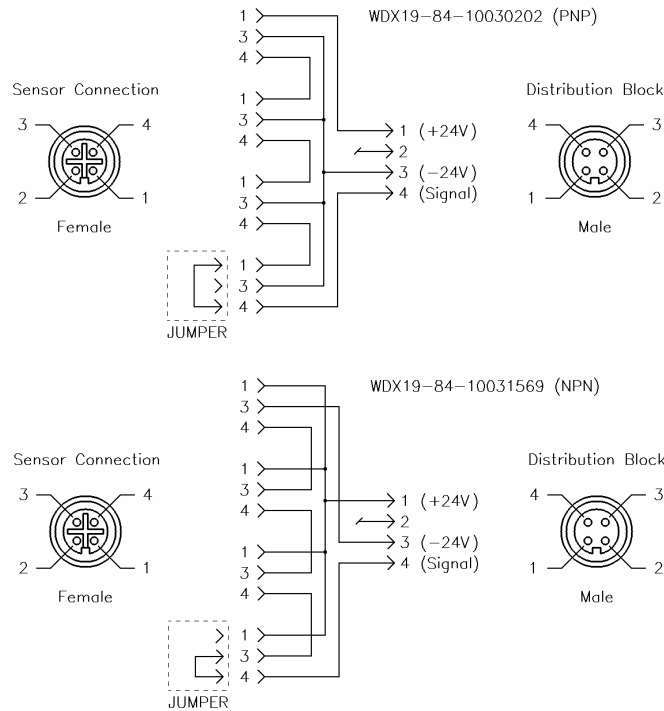
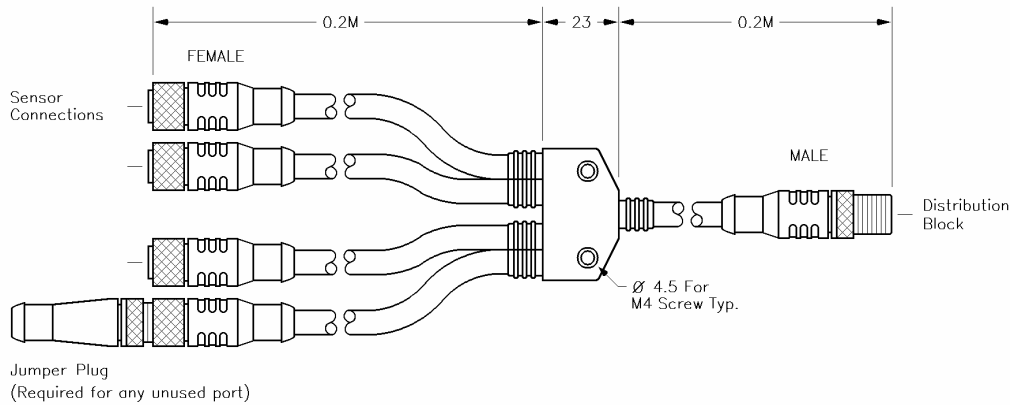


SCU04F-4 24VDC SERIES UNION CABLE - 4 CHANNEL

ELECTRICAL EQUIPMENT
WDX19-84M-10



Application Note

Provides series wired connections for 3-4 sensors. An output signal is provided only when all sensors are activated. If any sensor is not activated, no output will result. A jumper plug must be connected to any unused sensor connection for proper operation. Specify with or without jumper plug as shown below.

Output	Ordering Example	JBL Part Number
PNP	WDX19-84-10030202 24VDC PNP SERIES UNION CABLE - 4 CHANNEL	SCU04F-4
	WDX19-84-10030202J 24VDC PNP SERIES UNION CABLE - 4 CHANNEL WITH JUMPER PLUG	SCU04F-4J
NPN	WDX19-84-10031569 24VDC NPN SERIES UNION CABLE - 4 CHANNEL	SCU04FN-4
	WDX19-84-10031569J 24VDC NPN SERIES UNION CABLE - 4 CHANNEL WITH JUMPER PLUG	SCU04FN-4J