

Part number


CMV 03 LG



Brief description:

Hoods with single lever, size "57.27" insulated 830V, top entry, Pg16, insulated 830V version, IP66

| Product description | |
|---------------------------|---------------------------------|
| Version | insulated 830V version |
| Series | Hoods with 1 lever |
| Product type | with 1 lever |
| Variant | top entry |
| Family | 830V enclosures for CME inserts |
| Size | size "57.27" insulated 830V |
| Technical data | |
| Material | metal |
| IP degree of protection | IP66 (and IP69K DIN 40050 - 9) |
| Cable entry | Pg16 |
| Further technical details | |
| Weight | 175,00 g |

| Approvals / Standards | |
|------------------------------|---|
| Quality mark |  (type:4/4X/12),  , EAC |
| Conformity | CQC, CE |
| General ordering information | |
| EAN13 code | 8015747031783 |
| Tariff number | 85369095 |
| Packaging Information | |
| Sub-packaging weight | 0,88 kg |
| Sub-packaging description | Plastic packaging |
| Sub-packaging quantity | 5 Pcs |
| Sub-packaging EAN barcode | 8015747031790 |

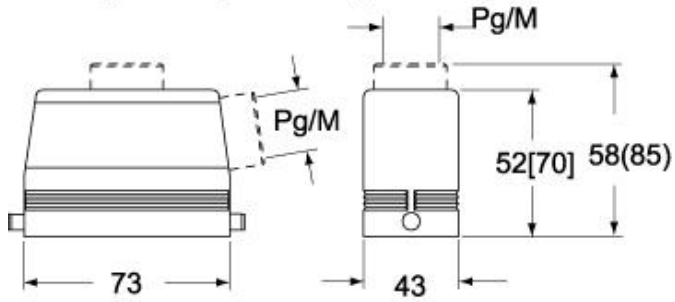
Part number

CMV 03 LG



Catalogue drawings

CMO L (CMAO L) - MMO L [MMAO L]
CMV L [CMAV L] - MMV L (MMAV L)



CMV LG (CMAV LG) - MMV LG (MMAV LG)
[MMFV LG]

