

MAIN CHARACTERISTICS

PARAMETERS	VALUES	NOTE	
WORKING PRESSURE	1,5 – 8 Bar		
ENVIRONMENT TEMPERATURE	-40°C+200°C		
AIR QUALITY CLASSES	SOLID	2	
	WATER	4	For T > + 3°C
		3	For -20°C <T<+3°C
		2	For -40°C <T<-20°C
OIL	1		
PROTECTION LEVEL	IP65		


MECHANICAL DETAILS

DESCRIPTION	STANDARD MATERIAL	KIT CODE STANDARD
O-RINGS	NBR 70 SHORE	-
BODY	BRASS	-
NUCLEUS+SPRING+ARMATURE	STAINLESS STEEL	PPTPXV
CONNECTOR	NYLON	CN70400032
COIL	130° RATED NYLON ENCAMPULATION	See coil detail
CLIP	CARBON STEEL GALVANIZED	-

CONNECTOR DETAIL

CODE	PG9/Mignon
FORM	2+1 (ground)
PROTECTION LEVEL	IP65
WORKING VOLTAGE	AC 250V–DC 300V
NOMINAL CURRENT	10A
CONTACT RESISTANCE	≤ 5mΩ
MAX CONDUCTOR SECTION	3x1,5 mm ²
FIXING SCREW	M3x30

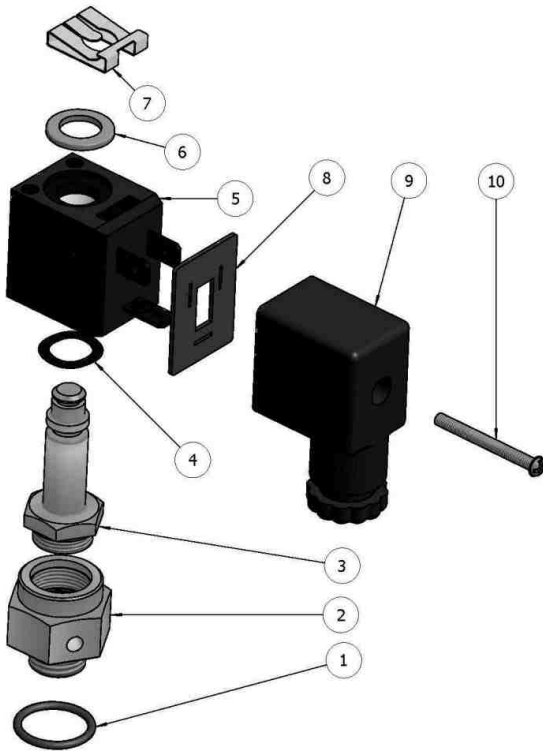
COIL DETAIL

KIT CODE	VOLTAGE
BB-24/DC	DC24V
BB-24/50	AC24V / 50/60 Hz
BB-110/50	AC110V / 50/60 Hz
BB-220/20	AC220V / 50/60 Hz
POWER ABSORPTION	20W
ISOLATION CLASS	H (180°/200°C)
CONNECTOR TYPE	Pg9

TIGHTENING TORQUE

DESCRIPTION	VALUES
ARMATURE	17 Nm ± 2
BODY	10 Nm ± 1
CABLE GLAND	5 Nm ± 1
SCREW M3	2 Nm ± 1

EXPLODED



PILOT GROUP

N.	CODE	DESCRIPTION	QTY
1	MN1499105	O-RING Ext. 19,16 Int. 15,60 Sp 1,78	1
2	PTTD1154-A7	Body	1
3	PTTPXV	Nucleus+spring+armature	1
4	PTTMT0101	Washer	1
5	BB-*/**	*/** coil	1
6	PTTMT0097	Washer	1
7	PTTMT0098	Clip	1
8	PTTMT0214	Flat seal	1
9	CN70400032	PG9/Mignon connector	1
10	PTTMT0373	M3 screw	1

ASSEMBLED DIMENSION

