

### Main Features :-

Valve Features:	Actuator Features:
WRAS Approved ball valve	On Off, Failsafe, Modulating
Nickle Plated Brass ball valve	IP67 Housing
Female BSPP ends	Manual Override
NBR seals	Limit Switches
Low Torque	100% Function Tested
Direct mount ISO 5211	Quality Assembled Products



TYPE: 901E ELECTRIC

### Overview:-

We typically offer 3 options on electric actuators. We have 3 core brands that we offer depending on what the application demands. The brands we offer and stock are:

**J+J** - a plastic housed electric actuator series offering multi voltage 24-240VAC/DC and on off, failsafe, modulating and modulating failsafe functionality.

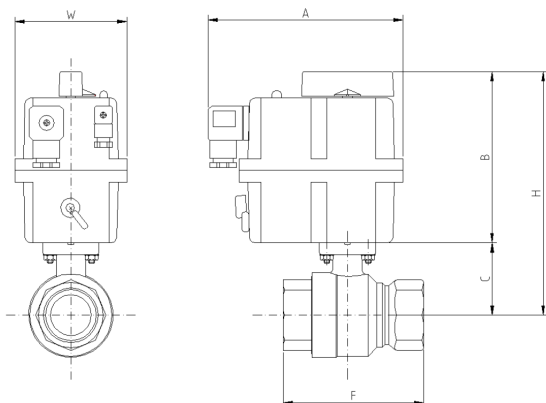
**SUNYEH** an aluminium housed quarter turn actuator with CSA and Nema 4x approval. Available on off and modulating.

**AVA** - A compact basic or smart series range offering a compact sized electric actuator but with big features including on off, modulating, failsafe, modu-



### Key Dimensions:-

\* Note that the following dimensional drawing is a generic drawing for demonstration purposes only. The dimensions relevant to the different actuator are on the right hand side.

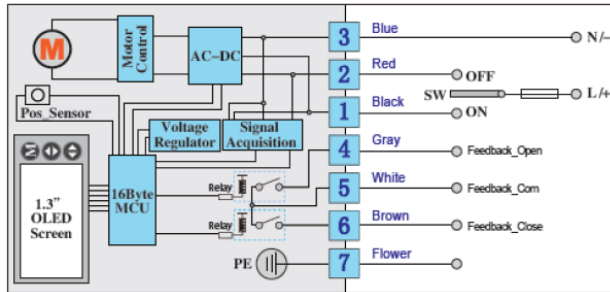


\*For low or high temperature applications, please add minimum 50mm height (Dimension F) for SS bracket to protect actuator from low or high temperatures.

	J+J	Sun Yeh	AVA
<b>Size</b>	F	H	Kg
<b>1/4"</b>	Call	Call	Call
<b>3/8"</b>	Call	Call	Call
<b>1/2"</b>	Call	Call	Call
<b>3/4"</b>	Call	Call	Call
<b>1"</b>	Call	Call	Call
<b>1 1/4"</b>	Call	Call	Call
<b>1 1/2"</b>	Call	Call	Call
<b>2"</b>	Call	Call	Call

All of our actuators are typically 3 wire actuators, offering a neutral and switchable live. See below for specific wiring options. Call if you have a specific requirement as in particular the Sun Yeh and AVA brands have multiple factory made options available. For example, the AVA units are available as a 2 wire option where replacing a solenoid valve for example.

### Wiring Options:- AVA Series

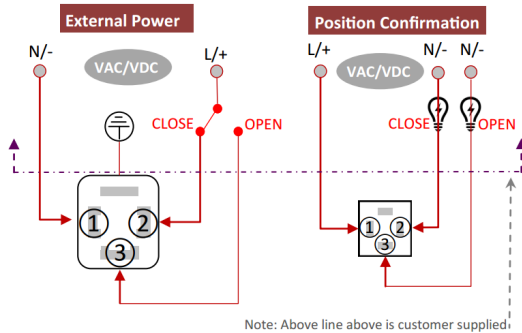


AVA electric actuators are supplied with a flying lead, models 20 only. Models 60 and above have terminal strip. No need to remove actuator housing to wire. See specific actuator model for exact wiring details.



### Wiring Options:- J+J Series

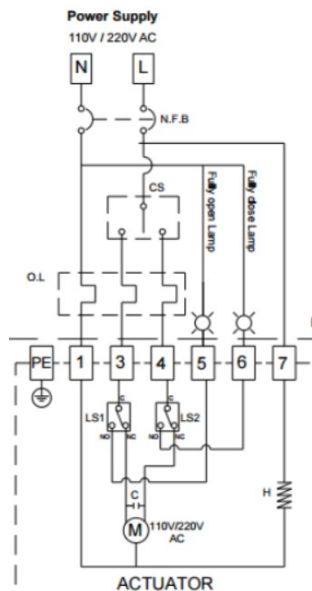
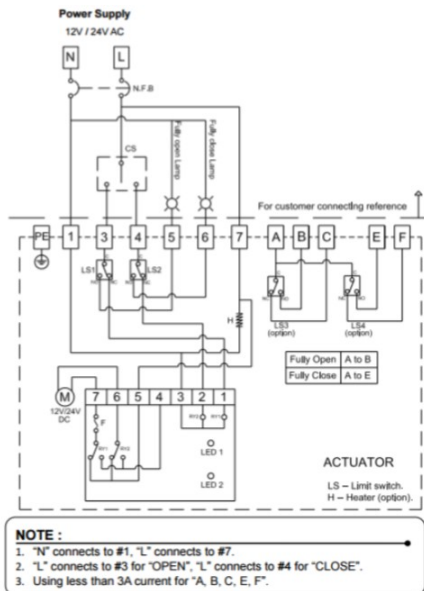
J3CS ON-OFF & FAILSAFE WIRING (Same connection for either)



In J+J electric actuators, all electrical connections are made externally using the external DIN plugs supplied with the actuator. There is no need to remove the valve actuator's cover to connect electrically. See specific actuator model for exact wiring details.



### Wiring Options:- Sun Yeh Series



The Sun Yeh range of actuators requires the cover to be removed to wire the actuator electrically. All actuators from our stock have M20 conduit entry for cables (glands not included). See specific actuator model for exact wiring details.



ISO 9001:2015 Accredited Company

Tel: +44(0)1386 552369

Fax: +44(0)1386 554227

sales@allvalves.co.uk

www.allvalves.co.uk

Allvalves Online Ltd, Automation House, Unit 2, Pershore, WR10 2DF UK

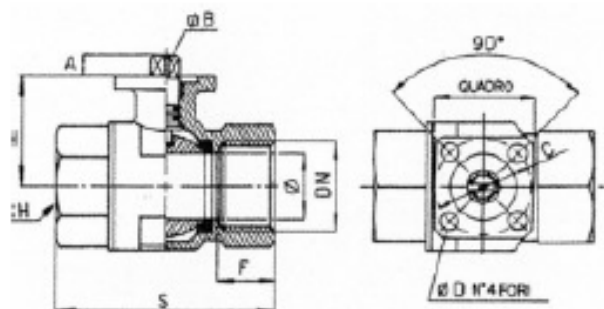
### Valve Additional Information:-

Dimensions					
DN	Ø	ØD	L	L/B	A
1/2"	15	5.5	38	9	7.00
3/4"	20	5.5	38	9	8.00
1"	25	5.5	38	9	8.00
1 1/4"	32	5.5	50	14	8.00
1 1/2"	40	6.5	50	14	14.5
2"	50	6.5	50	14	14.5

Dimensions								
DN	C	F	H	S	ISO 5211	CH	PN	Kg
1/2"	36	17	31	59	M1(F03)	27	40	0.29
3/4"	36	18	37	69	M1(F03)	33	40	0.43
1"	36	22	41	83	M1(F03)	41	40	0.69
1 1/4"	50	24	46.5	94	M4(F05)	50	40	1.02
1 1/2"	50	24	58	102	M4(F05)	56	40	1.35
2"	50	28	65.5	124	M4(F05)	70	40	2.15

Torque		
Size	Starting Torque (Nm)	Working Torque (Nm)
1/2"	4.20	0.50
3/4"	4.80	0.80
1"	5.50	1.20
1 1/4"	11.5	2.50
1 1/2"	18.0	4.00
2"	22.0	5.00

Flow Rates						
	1/2"	3/4"	1"	1 1/4"	1 1/2"	2"
KV	16.3	29.5	43	89	230	265



Pressure/Temperature Ratings	
Max Pressure	1/2" - 2" 40 Bar
Temperature	-20°C to 95°C

Material List	
Body	Brass
Ball	Brass
Seats	PTFE
Stem	Brass
O-Ring	NBR



TYPE: 901E ELECTRIC