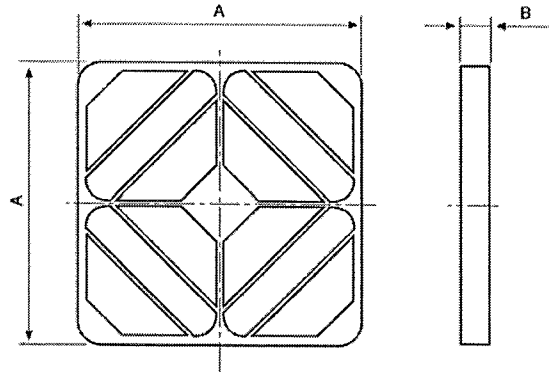


PLASTIC FILTER F/MR series

FEATURES

Protection degree: IP40 (EN60529)
 Fastener: by 4 screws
 Storage temp.: from -30°C to +75°C
 Operating temp.: from -30°C to +75°C

DIMENSIONS [mm]



MATERIALS of COMPONENTS

Plastics parts

Material: PC/ABS
 Colour: Black RAL 9005
 Flammability: UL 94V-0

Guard

Material: Vinyl coated fibreglass
 Mesh (Ends/Inch): 18/16
 Thickness: 0.3 mm

Media

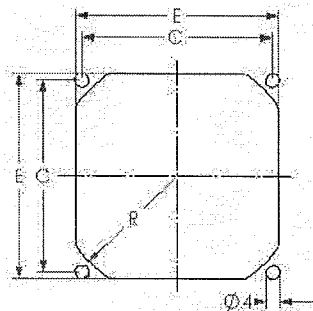
Type of media: Viledon® P15/150S
 Flammability: F1 (DIN 53438)
 Filtering class: G2 (EN 779)
 Degree of separation: 67% (DIN 24185)
 Dust storage capacity: 380 g/m²

DIMENSIONS and CUT-OUTS [mm]

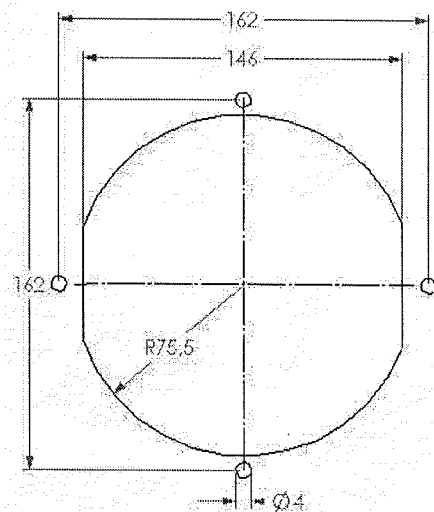
Model	A	B	C	E	R	Weight
F40/MR	46	6,5	32	-	19	9g
F60/MR	64	12	50	58	32	12g
F80/MR	86	12	71,4	77	45	30g
* P92/MR	97	12	82,5	88	49	35g
F120/MR	126	13	105	116	62	70g
F150/MR	179	24,5	162	-	-	125g

*

* = F90/T101



F150/MR



All specifications, data and drawings are subject to change without notice and are approximate.

TWC-A05/0