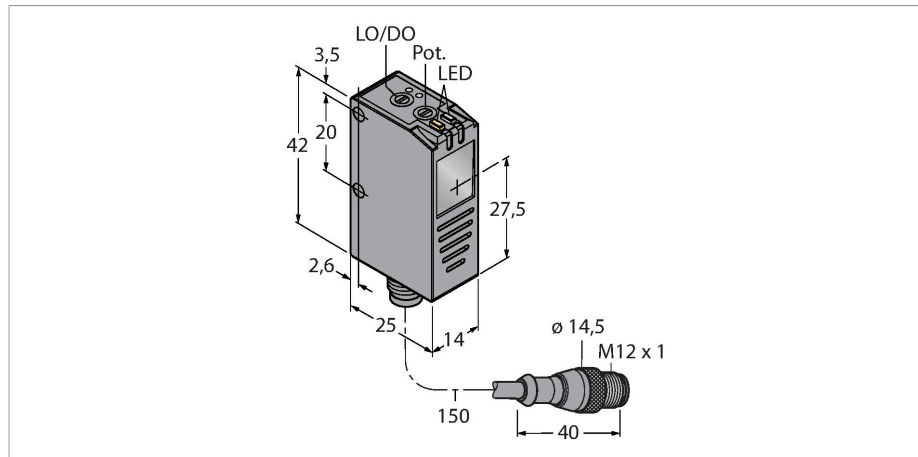


Q26NXLPQ5

Photoelectric Sensor – Retroreflective Sensor with Polarizing Filter

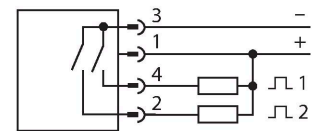
For Clear Object Detection



Features

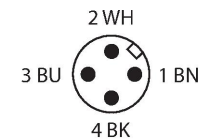
- Cable with male end M12 × 1, 4-pin
- Protection class IP67
- Light or dark operation, adjustable
- Sensitivity adjusted via potentiometer
- Coaxial optics, reduced blind zone
- Operating voltage: 10...30 VDC
- NPN switching output
- Switching output for insufficient excess gain

Wiring diagram



Technical data

Type	Q26NXLPQ5
ID	3017132
Optical data	
Function	Retroreflective Sensor
Operating mode	Polarized (coaxial)
Light type	Red
Wavelength	660 nm
Range	5...800 mm
Electrical data	
Operating voltage	12...30 VDC
Residual ripple	< 10 % U _{ss}
No-load current	≤ 15 mA
Short-circuit protection	yes
Reverse polarity protection	yes
Output function	2 normally open contact, NPN
Switching frequency	4 kHz
Readiness delay	≤ 0 ms
Response time typical	< 0.25 ms
Setting option	Potentiometer
Mechanical data	
Design	Rectangular, Q26
Dimensions	25 x 14 x 42 mm
Housing material	Plastic, Thermoplastic material, Black
Lens	glass, Glas



Functional principle

The Q26 is a retroreflective sensor for the detection of light, transparent and also opaque objects. The sensor is perfectly suited for the detection of PET bottles, glass jars, reflecting surfaces, LCD glasses or even semiconductor wafers. In addition to a coaxial optics, the sensor is also equipped with an auxiliary output that switches when excess gain is outside the normal range. The sensitivity is adjusted via potentiometer, in order to distinguish green from transparent bottles for example. Light or dark operation is adjusted via rotary switch.

Technical data

Electrical connection	Cable with connector, M12 × 1, 0.15 m, PVC
Number of cores	4
Ambient temperature	-10...+55 °C
Protection class	IP67
Special features	Clear object detection
Power-on indication	LED, Green
Switching state	LED, Yellow
Excess gain indication	LED
Tests/approvals	
Approvals	CE, cULus listed

Accessories

SMBLSTQ26	3019506	SMBLSTDLQ26	3018180
	Mounting bracket, stainless steel, for Q26		Mounting bracket, stainless steel, rectangular, for Q26

Accessories

Dimension drawing	Type	ID	
	RKC4.4T-2/TEL	6625013	Connection cable, female M12, straight, 4-pin, cable length: 2 m, sheath material: PVC, black; cULus approval; other cable lengths and qualities available, see www.turck.com
	WKC4.4T-2/TEL	6625025	Connection cable, female M12, angled, 4-pin, cable length: 2 m, sheath material: PVC, black; cULus approval; other cable lengths and qualities available, see www.turck.com

Accessories

Dimension drawing	Type	ID	
	BRT-60X40C	3044997	Rectangular reflector, reflection coefficient 1.48, material: acrylic, ambient temperature -20...+60 °C

