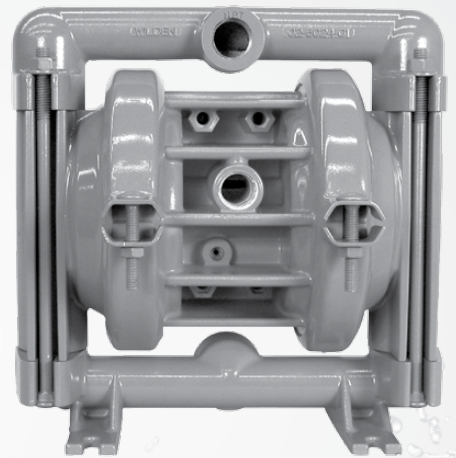


WILDEN®

Part of Pump Solutions Group

A **DOVER** COMPANY

P2
Original™ Series
Metal Pump



Where Innovation Flows

www.wilden-pumps.com

PRO-FLO®
PROGRESSIVE PUMP TECHNOLOGY



WIL-10181-E-05-DATA

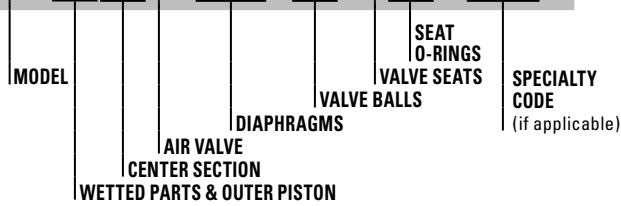
WILDEN PUMP DESIGNATION SYSTEM

P2 METAL

25 mm (1") Pump
Maximum Flow Rate:
172 lpm (45.5 gpm)

LEGEND

PX / XXXXX / XXX / XX / XXX / 2XXX



MATERIAL CODES

MODEL

P2 = 25 mm (1")

WETTED PARTS & OUTER PISTON

AA = ALUMINUM / ALUMINUM
AZ = ALUMINUM / NO PISTON
SS = STAINLESS STEEL / STAINLESS STEEL
SZ = STAINLESS STEEL / NO PISTON

CENTER SECTION

PP = POLYPROPYLENE
LL = ACETAL

AIR VALVE

P = POLYPROPYLENE
L = ACETAL

DIAPHRAGMS

BNS = BUNA-N (Red Dot)
EPS = EPDM (blue dot)
FBS = SANITARY BUNA^{1,3} (Two Yellow Dots)
FES = SANITARY EPDM^{1,3} (Two Blue Dots)
FSS = SANIFLEX™ (Cream)
FWL = SANITARY WIL-FLEX™ IPD^{1,3}
FWS = SANITARY WIL-FLEX™^{1,3}
LEL = PTFE – EPDM LAMINATE IPD^{1,2,3}
NES = NEOPRENE (Green Dot)
PUS = POLYURETHANE (Clear)
TEU = PTFE w/EPDM BACK-UP (White)^{1,2,3}
TNU = PTFE w/NEOPRENE BACK-UP (White)
TSS = FULL-STROKE PTFE w/SANIFLEX™ BACK-UP^{1,2,3}
TSU = PTFE W/SANIFLEX™ BACK-UP (White)^{1,2,3}
TWS = FULL-STROKE PTFE w/WIL-FLEX™ BACK-UP^{1,2,3}
VTS = VITON® (Silver or White Dot)
WFS = WIL-FLEX™ (Orange Dot)

VALVE BALLS

BN = BUNA-N (Red Dot)
EP = EPDM (Blue Dot)
FS = SANIFLEX™ (Cream)^{1,3}
NE = NEOPRENE (Green Dot)
PU = POLYURETHANE (Clear)
TF = PTFE^{1,2,3}
VT = VITON® (Silver or White Dot)
WF = WIL-FLEX™ (Orange Dot)

VALVE SEATS

A = ALUMINUM
S = STAINLESS STEEL

VALVE SEAT O-RING

BN = BUNA-N (Red Dot)
EP = EPDM
FS = SANIFLEX™ [HYLREL®] (Cream)^{1,3}
NE = NEOPRENE
PU = POLYURETHANE (Clear)
TF = PTFE (White)^{1,2,3}
WF = WIL-FLEX™¹

NOTE:

¹Meets Requirements of FDA CFR21.177
²Meets Requirements of USP Class VI
³Meets Requirements of 1935/2004/EC

SPECIALTY CODES

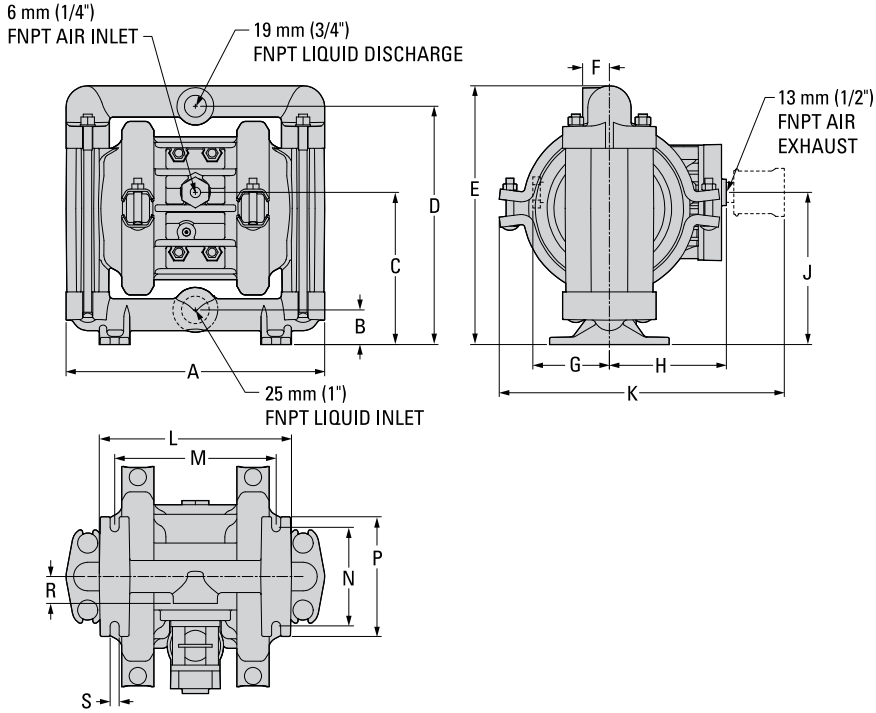
- 2000 NPT threaded
- 2014 BSPT threaded
- 2023 Wing Nuts
- 2070 Saniflo™ FDA
- 2079 Tri-clamp fittings, wing nuts
- 2080 Tri-clamp fittings only
- 2100 Wil-Gard 110V
- 2102 Wil-Gard sensor wires ONLY
- 2103 Wil-Gard 220V
- 2480 Pump Cycle Monitor (sensor & wires)
- 2483 Pump Cycle Monitor (module, sensor & wires)

2070E Saniflo™ FDA (1935/2004/EC)

NOTE: Most elastomers use colored dots for identification. Not all models are available with all material options.

DIMENSIONAL DRAWINGS

P2 METAL

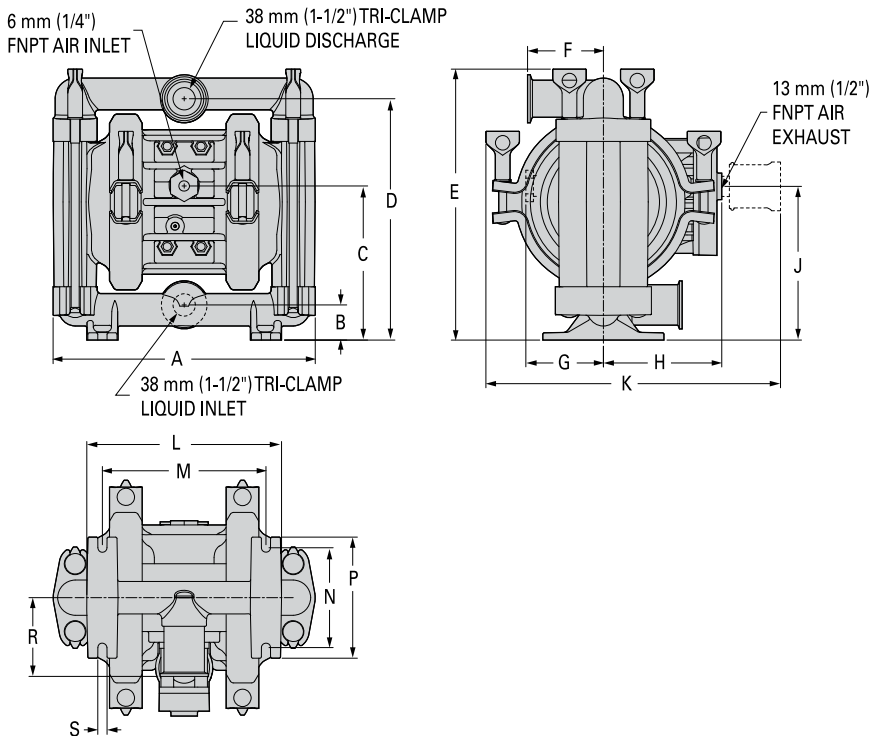


DIMENSIONS

ITEM	METRIC (mm)	STANDARD (inch)
A	274	10.8
B	38	1.5
C	163	6.4
D	254	10.0
E	274	10.8
F	28	1.1
G	81	3.2
H	124	4.9
J	163	6.4
K	302	11.9
L	203	8.0
M	173	6.8
N	104	4.1
P	127	5.0
R	28	1.1
S	10	0.4

REV. A

P2 METAL SANIFLO™ FDA



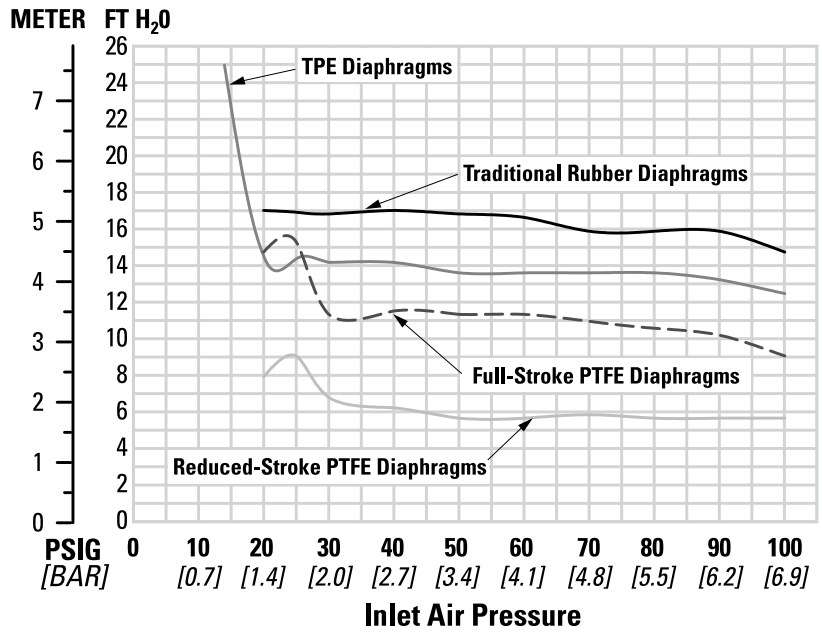
DIMENSIONS

ITEM	METRIC (mm)	STANDARD (inch)
A	274	10.8
B	38	1.5
C	163	6.4
D	254	10.0
E	284	11.2
F	79	3.1
G	81	3.2
H	124	4.9
J	160	6.3
K	310	12.2
L	203	8.0
M	173	6.8
N	104	4.1
P	127	5.0
R	84	3.3
S	10	0.4

REV. A

SUCTION-LIFT CURVE

P2 METAL



Suction-lift curves are calibrated for pumps operating at 305 m (1,000') above sea level. This chart is meant to be a guide only. There are many variables that can affect your pump's operating characteristics. The number of intake

and discharge elbows, viscosity of pumping fluid, elevation (atmospheric pressure) and pipe friction loss all affect the amount of suction lift your pump will attain.