

FEATURES

- **High-Quality Spider Design**
- **Handles the Most Demanding Applications**
- **Max Torque of 10,002 in-lb.**
- **Allows for Different Bore Diameters**
- **No Backlash**
- **No Maintenance**
- **Requires Three Individual Part Numbers**
- **Easy Assembly**
- **Wide Variety of Sizes**



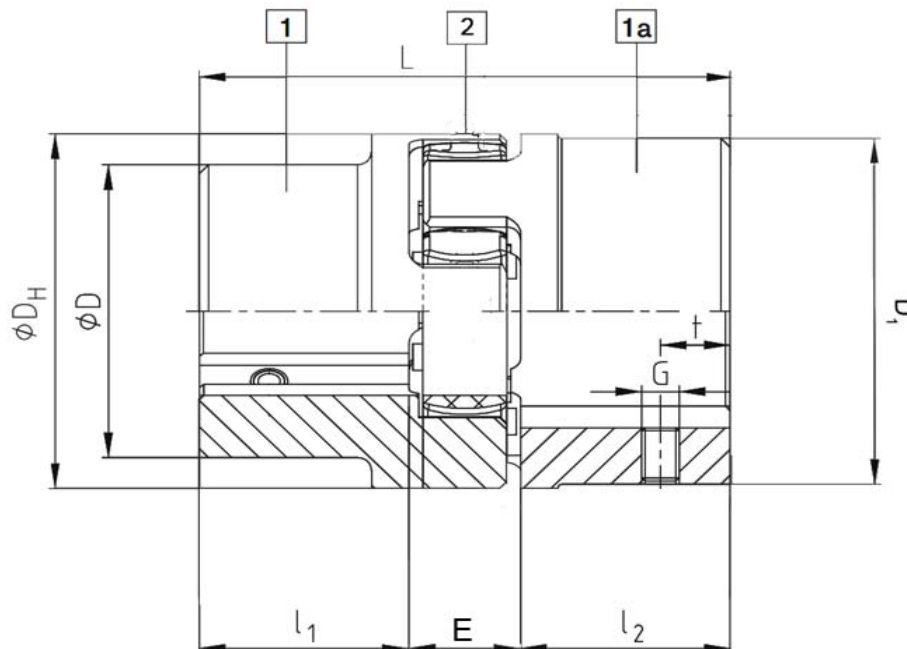
DESCRIPTION

ROTEX® couplings are designed to transmit torque between drive and driven components via curved jaw hubs and elastomeric elements commonly known as spiders. The combination between these components provides dampening and accommodation for misalignments. This product is available in a variety of metals, elastomers and mounting configurations to meet your specific needs.

Ordering Guideline: There are three individual part numbers you will need for a complete coupler (i.e., 2 Hubs and 1 Spider). Please choose the hub sizes that match the criteria for your application. In addition to the hubs, you will need to choose a spider, from the spider section.

Customization options are available; allow Anaheim Automation to specify the coupling designed for your application!

DIMENSIONS



L011394

Inch Bores

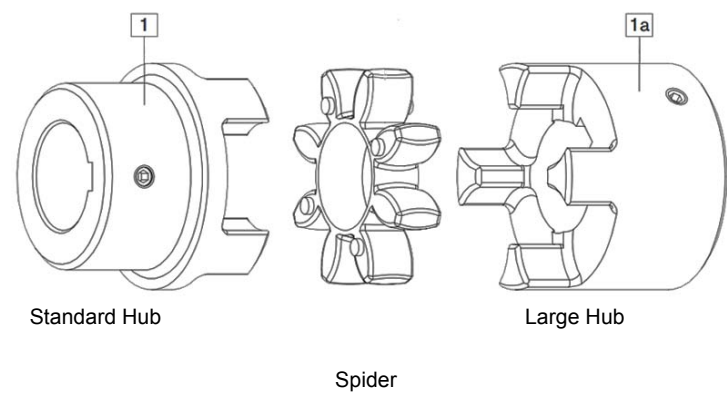
Item	Bore Diameter (in)	Keyway (in)	Hub Design	Outside Diameter D _H , D, D ₁ (in)	Length Thru Bore "L _{1,2} " (in)	Coupling Length "L" (in)	Setscrew Torque (in-lb)	t (in)	E (in)	G	Material
KTR-BA020383071200	1/2	1/8	1	3.15, 2.6, 3.07	1.77	4.49	89	0.59	0.94	M8	Cast Iron
KTR-BA020383071211	1/2	No Key	1	3.15, 2.6, 3.07	1.77	4.49	89	0.59	0.94	M8	Cast Iron
KTR-BA020383071400	9/16	1/8	1	3.15, 2.6, 3.07	1.77	4.49	89	0.59	0.94	M8	Cast Iron
KTR-BA020386071411	9/16	No Key	1	3.15, 2.6, 3.07	1.77	4.49	89	0.59	0.94	M8	Cast Iron
KTR-BA020383071500	5/8	3/16	1	3.15, 2.6, 3.07	1.77	4.49	89	0.59	0.94	M8	Cast Iron
KTR-BA020383071503	5/8	5/32	1	3.15, 2.6, 3.07	1.77	4.49	89	0.59	0.94	M8	Cast Iron
KTR-BA020383071511	5/8	No Key	1	3.15, 2.6, 3.07	1.77	4.49	89	0.59	0.94	M8	Cast Iron
KTR-BA020383071700	11/16	3/16	1	3.15, 2.6, 3.07	1.77	4.49	89	0.59	0.94	M8	Cast Iron
KTR-BA020383071900	3/4	3/16	1	3.15, 2.6, 3.07	1.77	4.49	89	0.59	0.94	M8	Cast Iron
KTR-BA020383071901	3/4	1/8	1	3.15, 2.6, 3.07	1.77	4.49	89	0.59	0.94	M8	Cast Iron
KTR-BA020383071911	3/4	No Key	1	3.15, 2.6, 3.07	1.77	4.49	89	0.59	0.94	M8	Cast Iron
KTR-BA020383072000	13/16	3/16	1	3.15, 2.6, 3.07	1.77	4.49	89	0.59	0.94	M8	Cast Iron
KTR-BA020383072200	7/8	3/16	1	3.15, 2.6, 3.07	1.77	4.49	89	0.59	0.94	M8	Cast Iron
KTR-BA020383072202	7/8	1/4	1	3.15, 2.6, 3.07	1.77	4.49	89	0.59	0.94	M8	Cast Iron
KTR-BA020383072211	7/8	No Key	1	3.15, 2.6, 3.07	1.77	4.49	89	0.59	0.94	M8	Cast Iron
KTR-BA020383072300	5/16	1/4	1	3.15, 2.6, 3.07	1.77	4.49	89	0.59	0.94	M8	Cast Iron
KTR-BA020383072500	1	1/4	1	3.15, 2.6, 3.07	1.77	4.49	89	0.59	0.94	M8	Cast Iron
KTR-BA020383072502	1	3/16	1	3.15, 2.6, 3.07	1.77	4.49	89	0.59	0.94	M8	Cast Iron
KTR-BA020383072600	1 1/16	1/4	1	3.15, 2.6, 3.07	1.77	4.49	89	0.59	0.94	M8	Cast Iron
KTR-BA020383072800	1 1/8	1/4	1	3.15, 2.6, 3.07	1.77	4.49	89	0.59	0.94	M8	Cast Iron
KTR-BA020383073000	1 3/16	1/4	1	3.15, 2.6, 3.07	1.77	4.49	89	0.59	0.94	M8	Cast Iron
KTR-BA020383073100	1 1/4	1/4	1	3.15, 2.6, 3.07	1.77	4.49	89	0.59	0.94	M8	Cast Iron
KTR-BA020383073102	1 1/4	5/16	1	3.15, 2.6, 3.07	1.77	4.49	89	0.59	0.94	M8	Cast Iron
KTR-BA020383073300	1 5/16	5/16	1	3.15, 2.6, 3.07	1.77	4.49	89	0.59	0.94	M8	Cast Iron
KTR-BA020383073400	1 3/8	5/16	1	3.15, 2.6, 3.07	1.77	4.49	89	0.59	0.94	M8	Cast Iron
KTR-BA020383073401	1 3/8	3/8	1	3.15, 2.6, 3.07	1.77	4.49	89	0.59	0.94	M8	Cast Iron
KTR-BA020383073600	1 7/16	3/8	1	3.15, 2.6, 3.07	1.77	4.49	89	0.59	0.94	M8	Cast Iron
KTR-BA020383073802	1 1/2	5/16	1	3.15, 2.6, 3.07	1.77	4.49	89	0.59	0.94	M8	Cast Iron
KTR-BA020383173800	1 1/2	3/8	1a	3.15, 2.6, 3.07	1.77	4.49	89	0.59	0.94	M8	Cast Iron
KTR-BA020383173900	1 9/16	3/8	1a	3.15, 2.6, 3.07	1.77	4.49	89	0.59	0.94	M8	Cast Iron
KTR-BA020383174100	1 5/8	3/8	1a	3.15, 2.6, 3.07	1.77	4.49	89	0.59	0.94	M8	Cast Iron
KTR-BA020383174200	1 11/16	3/8	1a	3.15, 2.6, 3.07	1.77	4.49	89	0.59	0.94	M8	Cast Iron
KTR-BA020383174400	1 3/4	3/8	1a	3.15, 2.6, 3.07	1.77	4.49	89	0.59	0.94	M8	Cast Iron
KTR-BA020383174402	1 3/4	7/16	1a	3.15, 2.6, 3.07	1.77	4.49	89	0.59	0.94	M8	Cast Iron
KTR-BA020383174600	1 13/16	1/2	1a	3.15, 2.6, 3.07	1.77	4.49	89	0.59	0.94	M8	Cast Iron

Metric Bores

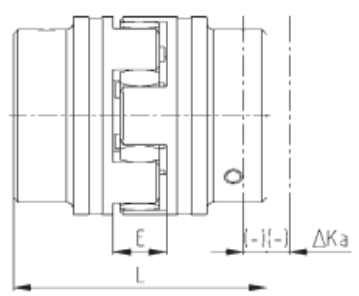
Item	Bore Diameter (mm)	Keyway (mm)	Hub Design	Outside Diameter D _H , D, D ₁ (mm)	Length Thru Bore "L ₁ L ₂ " (mm)	Coupling Length "L" (mm)	Set-screw Torque (Nm)	t (mm)	E (mm)	G	Material
KTR-BA020383001200	12	4	1	80, 66, 78	45	114	10	15	24	M8	Cast Iron
KTR-BA020383001400	14	5	1	80, 66, 78	45	114	10	15	24	M8	Cast Iron
KTR-BA020383001500	15	5	1	80, 66, 78	45	114	10	15	24	M8	Cast Iron
KTR-BA020383001600	16	5	1	80, 66, 78	45	114	10	15	24	M8	Cast Iron
KTR-BA020383001800	18	6	1	80, 66, 78	45	114	10	15	24	M8	Cast Iron
KTR-BA020383001900	19	6	1	80, 66, 78	45	114	10	15	24	M8	Cast Iron
KTR-BA020383002000	20	6	1	80, 66, 78	45	114	10	15	24	M8	Cast Iron
KTR-BA020383002200	22	6	1	80, 66, 78	45	114	10	15	24	M8	Cast Iron
KTR-BA020383002400	24	8	1	80, 66, 78	45	114	10	15	24	M8	Cast Iron
KTR-BA020383002500	25	8	1	80, 66, 78	45	114	10	15	24	M8	Cast Iron
KTR-BA020383002800	28	8	1	80, 66, 78	45	114	10	15	24	M8	Cast Iron
KTR-BA020383003000	30	8	1	80, 66, 78	45	114	10	15	24	M8	Cast Iron
KTR-BA020383003200	32	10	1	80, 66, 78	45	114	10	15	24	M8	Cast Iron
KTR-BA020383003500	35	10	1	80, 66, 78	45	114	10	15	24	M8	Cast Iron
KTR-BA020383003800	38	10	1	80, 66, 78	45	114	10	15	24	M8	Cast Iron
KTR-BA020383004000	40	12	1	80, 66, 78	45	114	10	15	24	M8	Cast Iron
KTR-BA020383104200	42	12	1a	80, 66, 78	45	114	10	15	24	M8	Cast Iron
KTR-BA020383104500	45	14	1a	80, 66, 78	45	114	10	15	24	M8	Cast Iron
KTR-BA020383104800	48	14	1a	80, 66, 78	45	114	10	15	24	M8	Cast Iron

Spiders

Item	Color	Material	Type/Hardness	Max Speed (rpm)	Rated Torque (in-lb)	Max Torque (in-lb)	Temperature Rating for Continuous Use
KTR-020381000045	Orange	T-PUR	92 Shore-A	8300	1681.64	3360	-50°C to +120°C
KTR-020381000042	Purple	T-PUR	98 Shore-A	8300	2876.49	5750	-50°C to +120°C
KTR-020381000020	Green	T-PUR	64 Shore-D	8300	3584.55	7160	-50°C to +120°C
KTR-020381000088	White	Polyamide	-	-	5000.67	10,002	-20°C to +130°C
KTR-020381000073	Grey	Polyetherethertone	-	-	5000.67	10,002	Up to +180°C

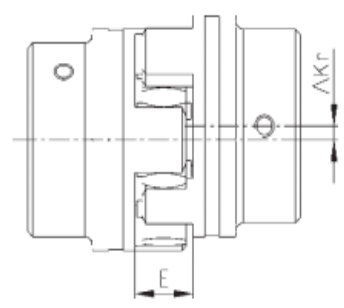


Axial Misalignment ΔKa

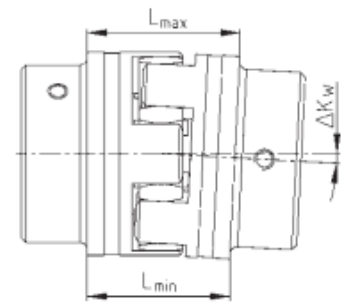


$$L_{max} = L + \Delta Ka$$

Parallel Misalignment ΔKr



Angular Misalignment ΔKw [degrees]



$$\Delta Kw [in] = L_{max} - L_{min}$$

ROTEX® Size	14	19	24	28	38	42	48	55	65	75	90
Max. Axial Misalignment ΔKa [in]	-0.02 +0.04	-0.02 +0.05	-0.02 +0.06	-0.03 +0.06	-0.03 +0.07	-0.04 +0.08	-0.04 +0.08	-0.04 +0.09	-0.04 +0.10	-0.06 +0.12	-0.06 +0.13
Max. Parallel Misalignment at n=1,800 rpm ΔKr [in]	0.006	0.007	0.008	0.009	0.010	0.011	0.013	0.014	0.015	0.017	0.018
Max. Angular Misalignment at n=1,800 rpm ΔKw [Degree]	1.1	1.0	0.8	0.9	0.9	1.0	1.1	1.1	1.1	1.1	1.2
ΔKw [in]	0.024	0.029	0.031	0.031	0.051	0.067	0.079	0.090	0.102	0.126	0.161

The above misalignment figures for ROTEX® couplings are standard values, taking into account the load of the coupling up to the rated torque T_{KN} and an operating speed $n = 1,800$ RPM along with an ambient temperature of $+180^{\circ}C$. For other operating parameters, please ask for KTR-Norm 20240 on misalignments for ROTEX®. The maximum angular and parallel misalignments must not be used concurrently. For example; 70% of the maximum parallel value allows 30% of the maximum angular value. Also, care should be taken to accurately maintain the distance dimension "E", allowing for axial clearance of the coupling while in operation. In case of an axial thrust, the dimension "L" must be taken as a minimum dimension in order to keep the spider free from pressure against the face. Detailed installation instructions are available at www.ktr.com.