

Any non-compliance shall obligate the violator to compensate for damages. In case any patent is issued or a utility model is registered, or in case of any other industrial property rights, all such rights must be reserved for us.

BEDIA Motorentechnik GmbH & Co.KG, Altdorf bei Nürnberg

The copyright to this drawing belongs to us. No duplication or transfer to, providing access to or communicating to any third parties is allowed of its contents or excerpts thereof. This drawing may not be used without our approval for any purpose other than that for which it has been entrusted to the recipient.

Technical data

Medium: oil
 Function: Maximum - operating current (oc)
 Operating voltage: 12 / 24 V (-25% / +50%) (9 - 36 VDC)
 Current consumption: typ. < 8 mA
 Output: high side switch
 ≤ 1 A over the whole temperature range
 short-circuit and overload protected over the ambient temperature range. At inductive loads freewheeling diode e.g. 1N4007, has to be mounted at the load.
 Mounting thread: M14x1.5
 Function control: 0 seconds ± 5%
 Fault indication delay: 0 seconds ± 5%
 Connection: cable
 Housing material: CuZn38Pb2
 EN12164; CW608N
 capacitive connected to ground
 Probe coating: Tefzel® ETFE
 Probe protection: IP 69K to DIN40050
 Weight: approx. 125 g
 Marking: manufacturer; type; manufacturer no.; SN; year / week; approval
 Switch point hysteresis: typ. < 3 mm
 Reference medium: paraffin oil, εr = 2,0..2,4, for switchpoint adjustment
 Medium temperature: -40 °C to +150 °C (-40 °F to +302 °F)
 Ambient temperature: -40 °C to +125 °C (-40 °F to +257 °F)
 Storage temperature: -50 °C to +125 °C (-58 °F to +257 °F)
 Mounting position: optional
 Reverse polarity protection: inbuilt between positive and negative terminal

Caution!!
 Do not connect positive potential to signal terminal of the sensor and negative potential to positive terminal of the sensor.

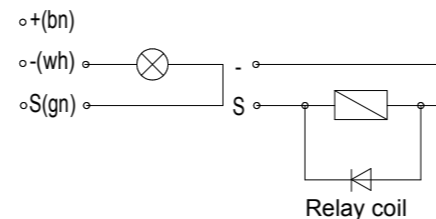
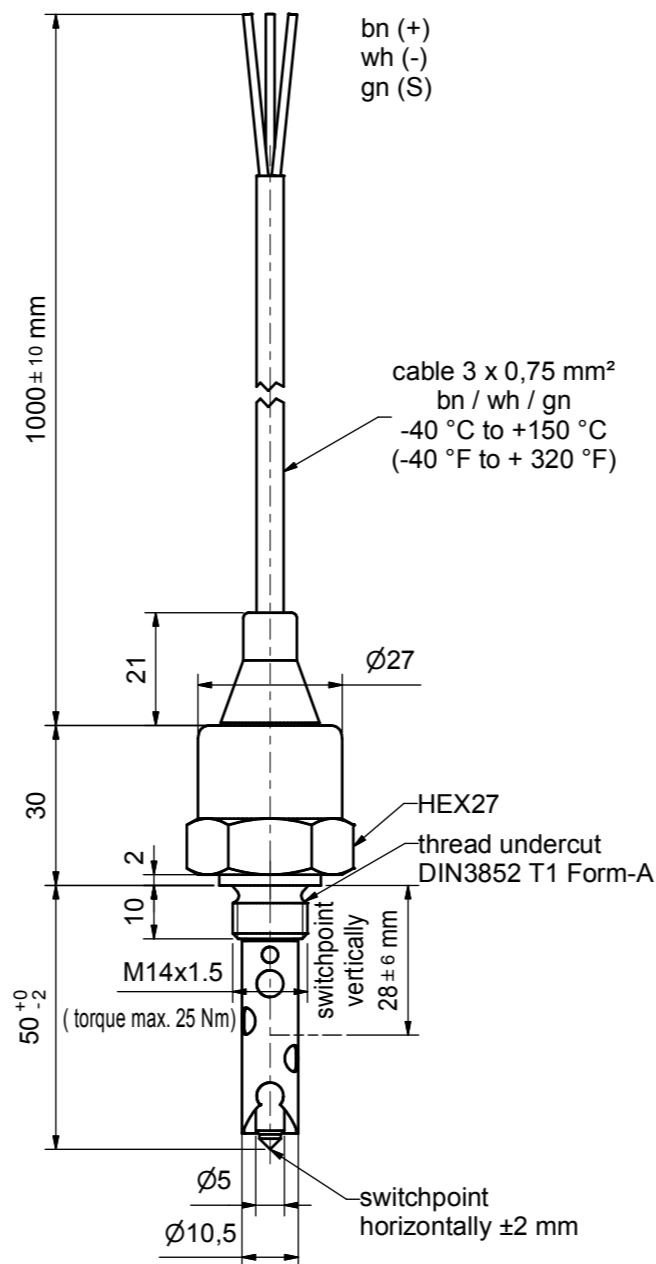
Approval: e1
 035459
 Customs tariff number: 90261029

Environmental simulations

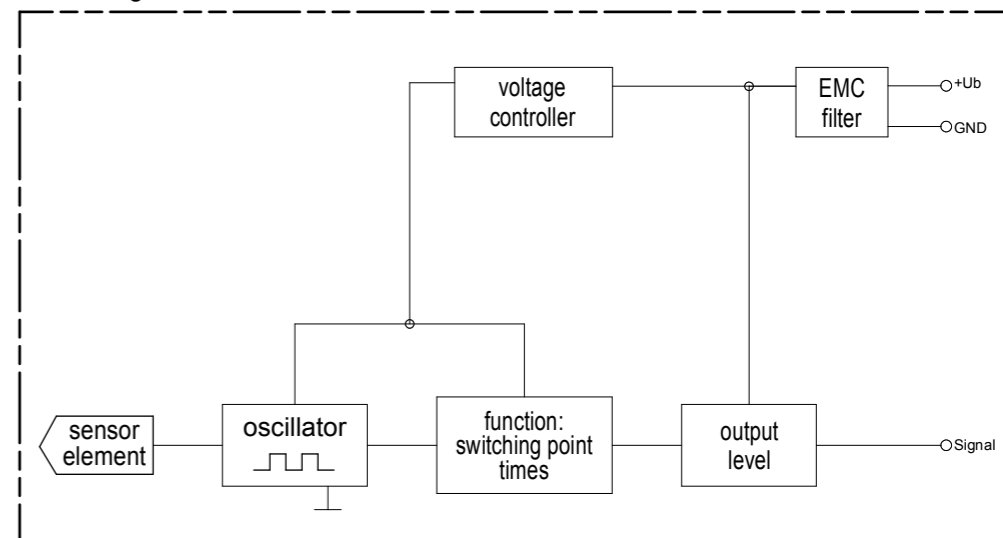
Vibration: ISO 16750-3:2007 10 Hz - 2000 Hz 20 g
 Free Fall: IEC 16750
 Mechanical Shock: DIN EN 60068-2-27:1995; 100 g / 11ms
 Dry Cold: DIN EN 60068-2-1:2006; -40 °C / 24 h (-40 °F / 24 h)
 Dry Heat: DIN EN 60068-2-2:2008; +125 °C / 96 h (+257 °F / 96 h)
 Temperature cycling: DIN EN 60068-2-14:2000
 Damp Heat: DIN EN 60068-2-78:2002
 Damp Heat, steady state: DIN EN 60068-2-30:2006
 Salt spray: DIN EN 60068-2-52:1996
 Pressure resistance: 2,5 MPa (25 bar / 362,6 psi) (25°C / 77°F / 1 h)

EMC

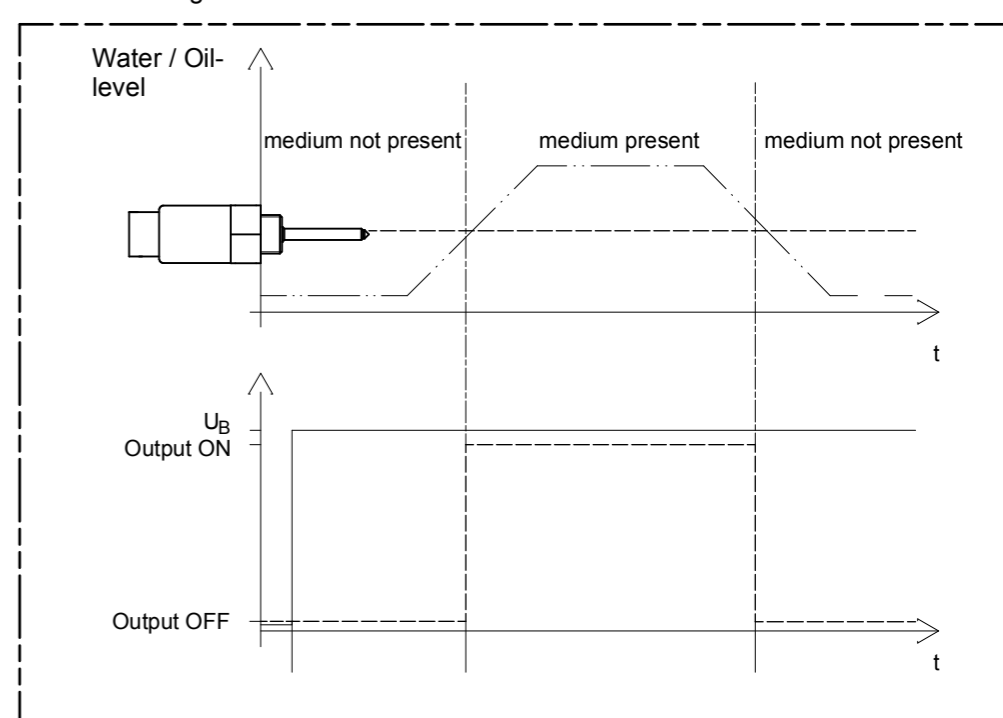
Radiated emission: 2004/104/EG 30 MHz - 1 GHz; 1 m
 Conducted transient emission: ISO 7637-2:2004
 Immunity to RF electromagnetic fields: ISO 11452-1/-2 1000 MHz - 2000 MHz; 150 V / m (rms)
 Immunity to RF electromagnetic fields in the stripline: ISO 11452-1/-5 20 MHz - 1000 MHz; 150 V / m (rms)
 Transient immunity test on power lines: ISO 7637-2/2004 Impulse 1, 2a, 2b, 3a, 3b, 4



Block diagram



Functional diagram for MAXIMUM Probes



field of application	admissible tolerance	surface	scale 1:1	position -	amount -
	ISO2768-vK				
	date	name	description		
	created by 10.08.2009	Moderer	CLS-40 oil level sensor high side switch - operating current with cable		
	checked by 25.01.2010	Saß			
			drawing number	sheet	
			325301	1/1	
rev.	modification	date	name/checked by	drawing path: I:\CAD\325301\US\dw	