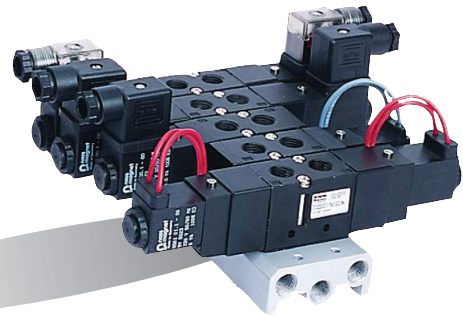


# 5 Port pilot operated Solenoid Valve

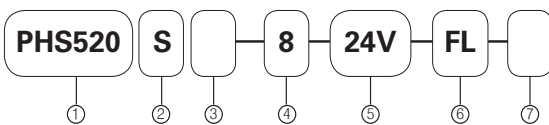
## PHS520 Series

Rubber Seal / In-Line Type

2 Position Single solenoid	<b>PHS520S</b>	
2 Position Double solenoid	<b>PHS520D</b>	
3 Position Center Closed	<b>PHS520C</b>	
3 Position Exhaust Center	<b>PHS520E</b>	
3 Position Pressure Center	<b>PHS520P</b>	



### ORDER KEY



#### 1. Series

5 Port Solenoid Valve

#### 2. Function

S	Single Solenoid
D	Double Solenoid
C	Center Closed
E	Exhaust Center
P	Pressure Center

#### 3. Pilot

No mark	Internal Pilot
X	External Pilot

#### 4. Port Size

8	PT 1/8"
---	---------

#### 5. Voltage

24V	DC24V
110V	AC110V
220V	AC220V

#### 6. Wiring

No mark	Lead Wire
FL	Lead Wire w/Lamp Indicator
D	DIN Connector
DL	DIN Connector w/Lamp Indicator

#### 7. Manual Override

No mark	Non-Lock
L	Lever-Lock

### Specifications

Model No	Unit	PHS520S	PHS520D	PHS520C	PHS520E	PHS520P
Fluid		Non-lubricated / Lubricated Air				
Port Size		PT 1/4"				
Effective Area	mm <sup>2</sup> (Cv)	18 (1.0)			14 (0.8)	
Temperature Range	°C	5 ~ 60°C				
Pressure	MPa(bar)	0.15 ~ 0.9 (1.5 ~ 9.0)	0.1 ~ 0.9 (1.0 ~ 9.0)	0.2 ~ 0.9 (2.0 ~ 9.0)		
Max. Operating Cycle	cycle/s	10			3	
Response Time	ms	20 or less			35 or less	
Exhaust Type		Individual Exhaust				
Manual Override		Non-lock (Standard), Lever-lock (Option)				
Shock/Vibration Resistance	m/s <sup>2</sup>	30G ~ 5G (8.3 ~ 200Hz)				

### Electrical Specifications

Parameter	Unit	Value
Voltage	V	DC24V, AC110V, AC220V (50 ~ 60Hz)
Allowable Voltage Fluctuation	%	±10%
Power Consumption	W, VA	DC24V (3W), AC110/220V (50Hz: 5.0VA, 60Hz: 4.2VA)
Insulation Class		F
Wiring		Lead Wire, DIN Connector
Indicator Light		LED

## Coil & Connector

### Coil



Voltage	
<b>24V</b>	DC24V
<b>110V</b>	AC110V
<b>220V</b>	AC220V

Wiring	
<b>No mark</b>	Lead Wire
<b>FL</b>	Lead Wire w/Lamp Indicator
<b>D</b>	DIN

### Explosion Proof Coil

PEC5-22-EX-24V

Voltage	
<b>24V</b>	DC24V
<b>110V</b>	AC110V
<b>220V</b>	AC220V

Note) Explosion Proof Coil can be applied to the PHS Series and the grade is EX m II T4

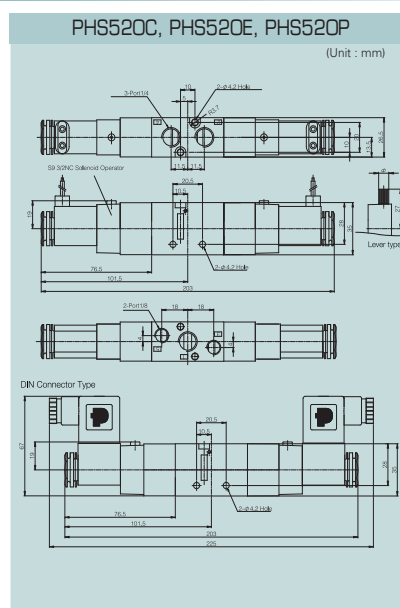
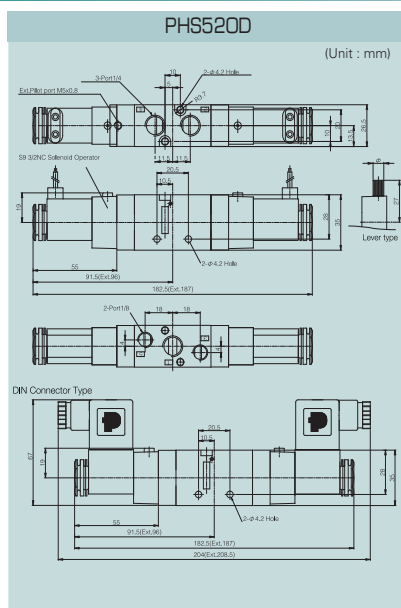
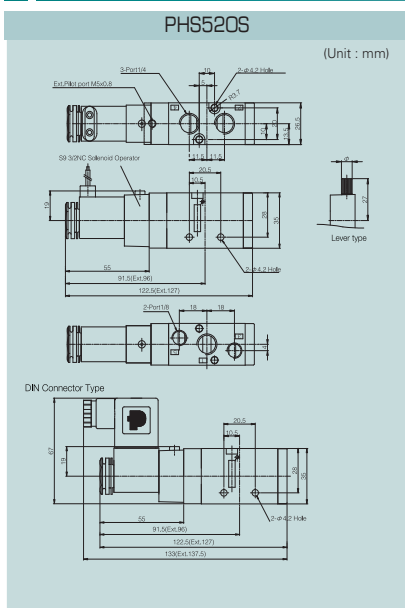
### Connector



Lamp Indicator	
<b>No mark</b>	Non-lamp Indicator
<b>L</b>	Lamp Indicator

Voltage	
<b>24V</b>	DC24V
<b>110V</b>	AC110V
<b>220V</b>	AC220V

## Dimensions



## Manifold

### ORDER KEY



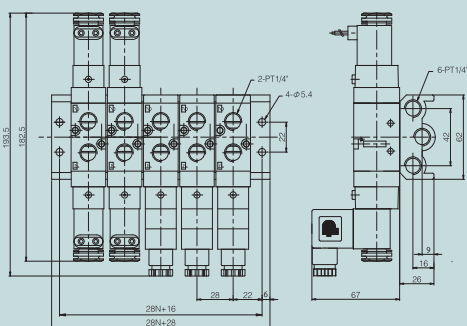
Valve		Station	
PHS520 Series	M2	2 Station	
	:	:	
	M10	10 Station	

### Specifications

Port	Port 1	Common Supply: Rc1/4
Size	Port 3, 5	Common Exhaust: Rc 1/4
Station	2 ~ 10 Station	
Mounting	Direct mount	
Valve	PHS 520	
Blanking Plate	PHS520 - BP	

### Dimensions

PHS520S, D



PHS520C, E, P

