

Customer : Impexron GmbH
Branch :

N° : 7790.110716.0778
Date : 12 juil. 2016

Induction motor with brake

4P LSMV100LR 2,2kW LS2/IE2 B3 230VD/400VY 50Hz BK 32.0N.m -

Utilisation : Environment Current ; Ambiance Non corrosive ; Finition - ; Zone Non specific ; General applications ; Ambient temperature -16 +40 °C ; Maximum altitude 1000 m.



Motor characteristics : Aluminium alloy housing ; Cast iron DE endshield ; Cast iron NDE endshield.

Motor definition

Protection type	-	Application	General applications
Generation code	LS2	Main voltage (V)	400
Efficiency class	IE2	Connection	DY
Number of network phases	3	Motor winding (V)	230VD/400VY
Number of speed	1V	Rated Frequency (Hz)	50
Polarity	4P	Operation position	IM1001(IMB3)
Motor serie	LSMV	Index of protection	IP55
Frame size (mm)	100	Index of cooling	IC411
Lenght code	LR	Insulation class	F
HS rated power (kW)	2.200	Finish	-
LS rated power (kW)	-	Moment of inertia J (kg.m2)	0.0065100
Rated speed (min-1)	1455	Motor weight (kg)	32.4
Maximum mechanical speed (min-1)	10000		

Brake definition

Brake serie	BK	Brake torque (N.m)	32.00
Brake size	32	Rectifier	SO8
FC brake J type	-	Brake voltage (V)	180V
Brake supply mode	Separated supply: AC current		

Common definitions

Paint shade	RAL9005
Paint system	1a (1 polyurethane coat 20/30 microns)

Motor mechanical interface

Mounting flange	-	Shaft material type	Steel shaft
Drive end shaft type	IEC STANDARD shaft end	Nuance of shaft material	-
Diameter DE shaft (mm)	28j6	Second shaft extension	-
Length DE shaft (mm)	60	Diameter NDE shaft (mm)	-
DE bearing mounting	Located	Second shaft end length (mm)	-
DE bearing type	DE ball bearing	NDE bearing type	NDE ball bearing
DE bearing	6206	NDE bearing	6205
Code Type de graissage	Vie		

Motor electrical interface

Connection network type	Terminal box	Cable type	-
Connection network material	Aluminium alloy	Cable gland material	Cable gland not supplied, holes tapped with polyamide plugs
Connection network position	A	Main cable glan type	2xM20 + 1xM16 ; With plugs
Connection network orientation	up	Principal cable gland position	Right (1)
Connection network relative position	0	Auxiliary cable gland type	-

N° : 7790.110716.0778

Date : 12 juil. 2016

Induction motor with brake - 4P LSMV100LR 2,2kW LS2/IE2 B3 230VD/400VY 50Hz BK 32.0N.m -

Motor options

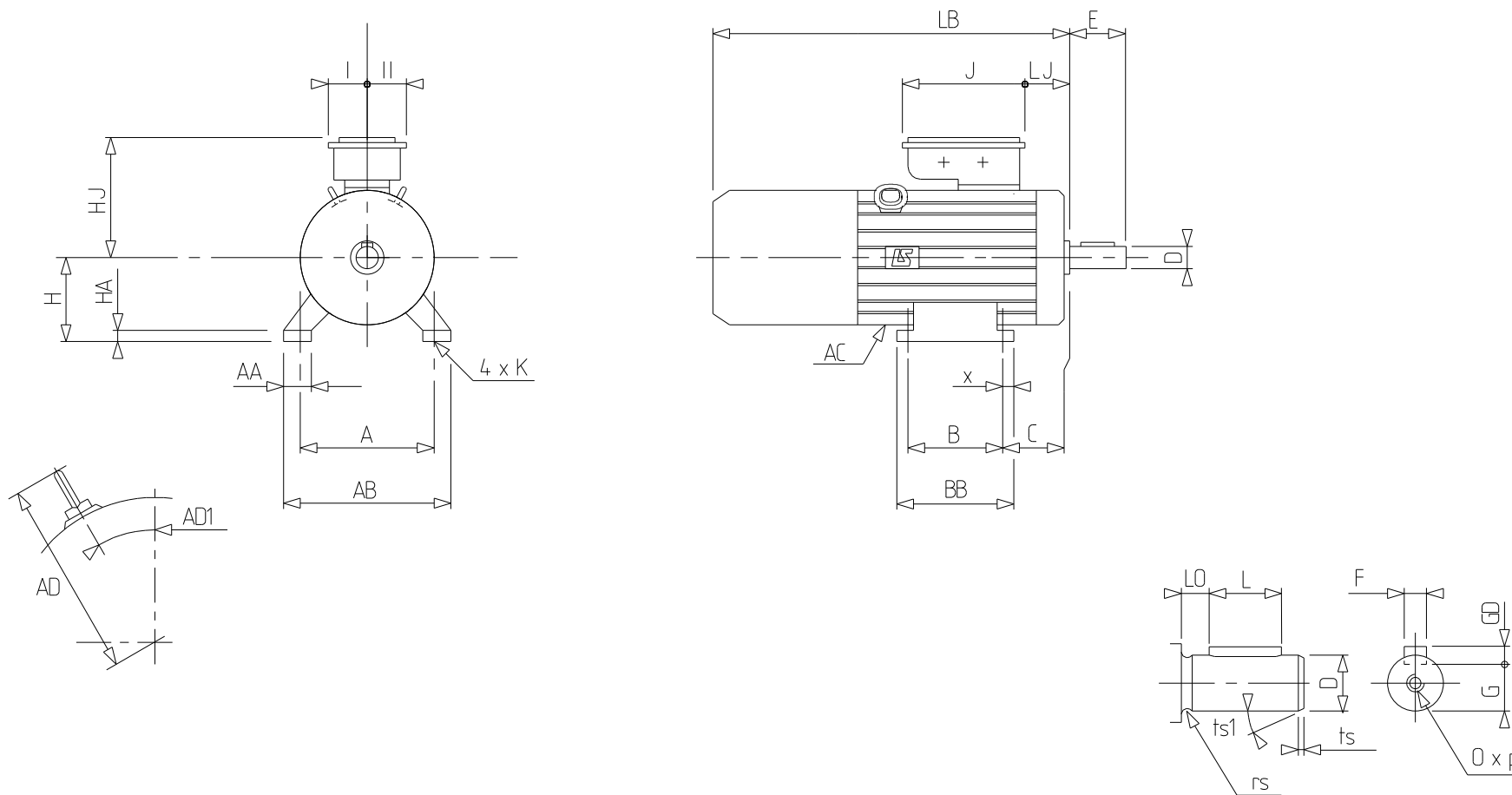
Vibration level	B (11µm ; 0.7mm/s ; 1.1m/s ²)	Cover	Metal cover
Balancing type	Half-key (H)	Drip proof cover option	-
Impregnation type	< 95% ; -16+40°C (T)	cooling type	-
Winding thermal protection	1xPTC (winding)	Forced ventilation characteristics	-
Space heater	-	Encoder type	-
Draining plugs position	6H	Encoder characteristics	-
Nameplate material	Aluminium nameplate	Screw material	Steel screw
Endshield thermal protection	-	Adaptation for vibration sensor	-
On winding insulation	-		

Brake options

Release lever	-	Brake treatment	-
Position relative levier de frein	0	Brake options	-

Motor characteristics (on mains supply)

Rated speed (min-1)	1455	Unload maximum starting frequency (d/h)	-
Rated current (A)	4.5	Acoustic pressure level (dB(A))	48
No-load current (A)	-	Power factor at 4/4 of the load	0,79
Id / In		Power factor at 3/4 of the load	0,68
Rated torque (N.m)	14	Power factor at 2/4 of the load	0,53
Starting torque (N.m)	NULL	Efficiency at 4/4 (IEC 60 034-2-1) of the load (%)	85.90
Maximum torque (N.m)	53,3	Efficiency at 3/4 (IEC 60 034-2-1) of the load (%)	86.40
Average starting torque (N.m)		Efficiency at 2/4 (IEC 60 034-2-1) of the load (%)	84.90
Rotor locked time (cold) (s)			



Induction motor with brake - 4P LSMV100LR 2,2kW LS2/IE2 B3 230VD/400VY 50Hz BK 32.0N.m -

Motor
(° & mm)

A	160	LO2	-
a	-	LP	-
AA	40	M	-
AB	196	N	-
AC	200.00	n	-
AD	118	O	M10
AD1	45	OA	-
B	140	P	-
BB	165	p	22
C	63.0	pA	-
D	28j6	rs	0.5
DA	-	rs2	-
DTP	-	S	-
E	60	T	-
EA	-	ts	2
EC	-	ts1	20
F	8	ts2	-
FA	-	ts3	-
G	24	x	12
GB	-		
GD	7		
GF	-		
H	100		
HA	13		
HJ	156.0		
I	55		
IB	-		
II	55		
J	160		
JC	-		
JD	-		
JE	-		
JH	-		
JP	-		
K	12		
L	50		
L2	-		
LA	-		
LB	365.0		
LC	-		
LD	-		
LE	-		
LH	-		
LJ	13.5		
LO	6		