

Optimized design and construction include stainless disc pack and corrosion protection; additional modifications may be made to reduce coupling weight, or special mountings to make alternative to high performance styles. Common engineered solutions are available such as spark resistant, and alloy construction. An optional one size larger LH hub, two sizes larger or three sizes larger XXL hub is available with adapter to increase bore capacity.

The XTSRS single couplings are XL hub, an all-purpose high-speed, high-torque coupling used where minimum coupling weight is desirable. ATEX II 2GD c T6 certified. Common applications include units where one shaft is fully supported in its own bearings and the other shaft is single bearing supported. The radial load is transmitted through the coupling to the inner bearing of the other shaft.

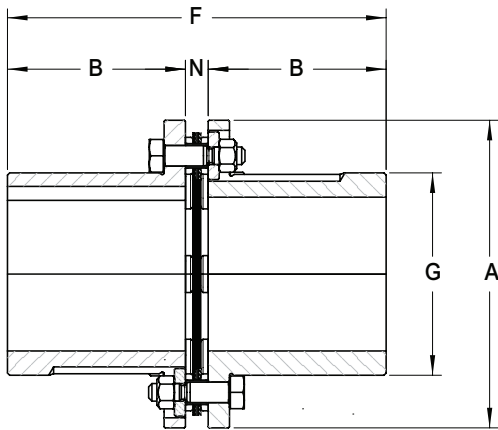
**Construction**

Hubs and Center assembly: Carbon steel

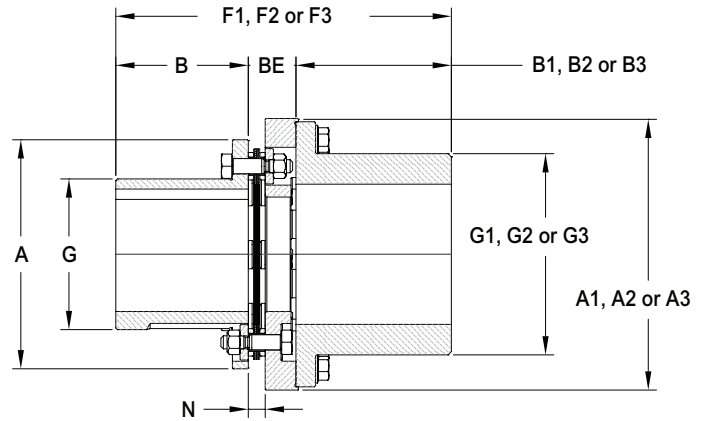
Bolts: Alloy steel

Disc Packs: Stainless steel. Max misalignment is 2/3° per disc pack for sizes 494 & 644,  
1/2° per disc pack for sizes 726-996, and 1/3° per disc pack for sizes 1088-5258.

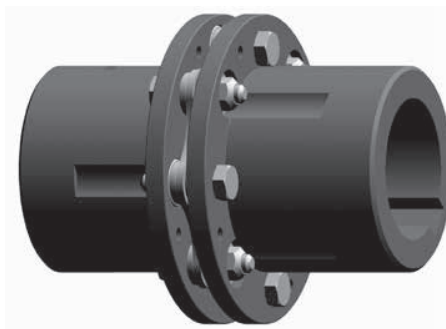
Coatings Available: Manganese Phosphate provided as standard. Other coatings available upon request.



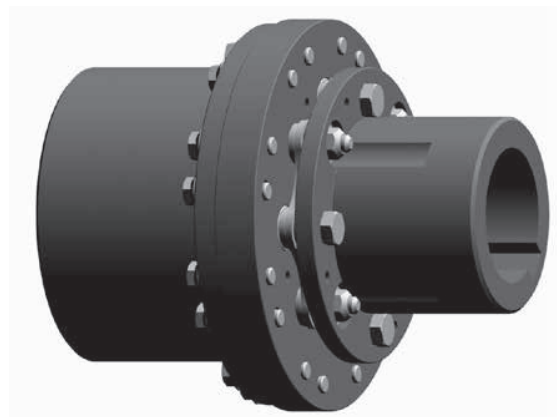
**STANDARD HUB (WITHOUT ADAPTER)**



**WITH ADAPTER AND LARGE HUB**



**WITHOUT ADAPTER**



**WITH ADAPTER**

**Example Selection:**

1. Select coupling size 1088 for a 2,000 N-m torque and 65 mm pump shaft diameter.
  2. Select XXL 2nd hub for 100 mm motor shaft diameter.
  3. Therefore, coupling is a 1088 XTSRS XXL.
- A 1088 XTSRS XXL has one hub with 65 mm max bore and one hub with 105 mm max bore.

**General Coupling Data**

Size	⑤ Max. Cont. Torque (N•m)	③ Std Hub Max. Bore	③ LH Hub Max. Bore	③ XL Hub Max. Bore	③ XXL Hub Max. Bore	Max. Speed (rpm)	① Axial Capacity (mm)	N (mm)	BE (mm)	Std F (mm)	LH F1 (mm)	XL F2 (mm)	XXL F2 (mm)	② Std Weight (kg)
494	85	27	28	38	42	13,800	±0.6	8.62	20.82	49	61	66	76	0.481
644	145	38	38	—	52	12,500	±0.9	8.62	21.92	59	72	—	89	0.789
726	297	45	—	52	61	12,000	±0.7	8.62	21.12	69	—	93	102	1.23
826	554	50	52	61	76	10,900	±0.8	9.34	24.44	109	116	125	156	2.39
996	927	60	61	76	90	9,800	±0.9	9.59	28.69	110	130	161	174	3.74
1088	2,190	65	76	90	105	9,000	±0.7	10.36	29.16	172	192	205	224	6.53
1298	3,550	80	90	105	125	8,000	±0.8	12.92	35.82	207	228	247	255	11.2
1548	5,910	95	105	125	135	7,100	±0.9	14.79	41.89	209	253	261	274	17.2
1698	8,190	105	125	135	150	6,600	±1.0	15.79	46.89	236	279	292	312	22.7
1928	11,100	120	135	150	155	6,100	±1.2	17.08	49.78	237	295	315	327	30.6
2068	15,400	130	150	155	166	5,800	±1.3	18.42	57.62	268	338	350	373	40.8
2278	19,900	140	155	166	200	5,500	±1.4	19.17	59.67	309	372	395	390	54.0
2468	26,200	150	166	200	220	5,200	±1.5	20.49	63.49	320	403	398	413	68.0
2698	35,900	165	200	220	235	4,800	±1.6	23.46	71.96	323	407	422	413	88.9
2888	47,000	175	220	235	260	4,600	±1.8	25.18	77.18	375	452	443	477	111
3058	52,000	185	235	260	285	4,400	±1.9	25.18	77.58	395	454	488	520	131
3358	70,200	215	260	285	310	4,200	±2.0	27.34	86.44	517	556	588	580	188
3668	94,300	225	285	310	330	3,900	±2.2	30.38	93.18	592	631	623	640	251
3908	103,000	240	310	330	360	3,800	±2.4	30.38	93.78	636	646	663	697	298
4178	128,000	255	330	360	400	3,600	±2.5	32.43	102.43	676	690	724	744	274
4588	189,000	280	360	400	430	3,400	±2.8	35.95	115.95	736	766	786	812	490
4918	235,000	300	400	430	—	3,200	±3.0	38.12	121.92	788	817	843	—	608
5258	283,000	320	430	—	—	3,100	±3.2	40.29	130.89	842	878	—	—	739

Size	Std A (mm)	LH A1 (mm)	XL A2 (mm)	XXL A3 (mm)	Std B (mm)	LH B1 (mm)	XL B2 (mm)	XXL B3 (mm)	Std G (mm)	LH G1 (mm)	XL G2 (mm)	XXL G3 (mm)	② WR <sup>2</sup> (kg•m <sup>2</sup> )
494	70	70	85	95	20	20	25	35	41	42	58	59	0.000260
644	85	85	—	108	25	25	—	42	56	58	—	73	0.000647
726	95	—	108	129	30	—	42	51	64	—	73	86	0.00124
826	108	108	129	140	50	42	51	82	72	73	86	104	0.00301
996	129	129	140	166	50	51	82	95	84	86	104	123	0.00656
1088	140	140	166	199	81	82	95	114	92	104	123	145	0.0133
1298	166	166	199	220	97	95	114	122	111	123	145	165	0.0325
1548	197	199	220	245	97	114	122	135	132	145	165	182	0.0714
1698	218	220	245	264	110	122	135	155	147	165	182	200	0.116
1928	245	245	264	291	110	135	155	167	168	182	200	220	0.203
2068	264	264	291	313	125	155	167	190	179	200	220	236	0.310
2278	291	291	313	345	145	167	190	185	197	220	236	280	0.503
2468	313	313	345	381	150	190	185	200	214	236	280	308	0.74
2698	343	345	381	405	150	185	200	191	232	280	308	332	1.15
2888	371	381	405	437	175	200	191	225	246	308	332	355	1.72
3058	395	405	437	482	185	191	225	257	263	332	355	398	2.24
3358	427	437	482	503	245	225	257	249	288	355	398	419	3.78
3668	466	482	503	529	281	257	249	266	315	398	419	444	6.09
3908	490	503	529	608	303	249	266	300	339	419	444	504	8.0
4178	524	529	608	648	322	266	300	320	361	444	504	545	11.2
4588	587	608	648	678	350	300	320	346	392	504	545	575	18.6
4918	630	648	678	—	375	320	346	—	420	545	575	—	26.5
5258	672	678	—	—	401	346	—	—	450	575	—	—	36.9

- ① All Thomas disc couplings meet NEMA frame sleeve bearing motor specifications without modification or the addition of end-float restricting devices.
- ② Weight and WR<sup>2</sup> of couplings with standard adapters at maximum bore and minimum "C" dimension listed.
- ③ Consult Rexnord for minimum rough bore sizes.
- ④ XTSRS single couplings meet AGMA Class 9 balance requirements as manufactured with interference fit bore and close fit keyway. If clearance fit and/or setscrews are required, consult Rexnord.
- ⑤ Peak Overload Torque (N-m) is twice the Maximum Continuous Torque.