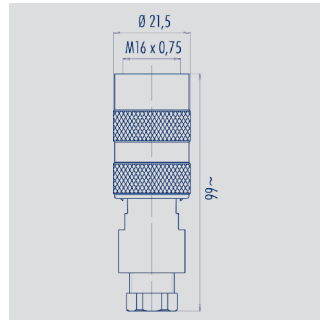
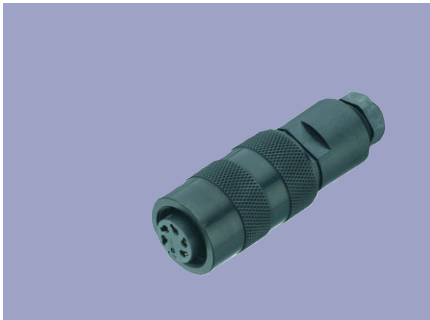
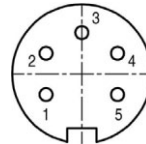


Accessories Connector System M16



Pin assignment



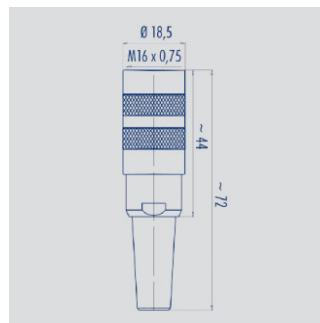
IP67

M16x0.75 Mating female connector
5-pin, straight, with coupling nut,
solder terminal, IP67, not shielded

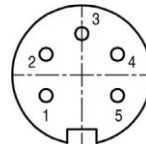
Connector housing Plastic PA
-40 °C... +95 °C

For wire gauge 4...6 mm,
max. 0.75 mm²

Type EEM 33-70, P/N 005611



Pin assignment



IP40

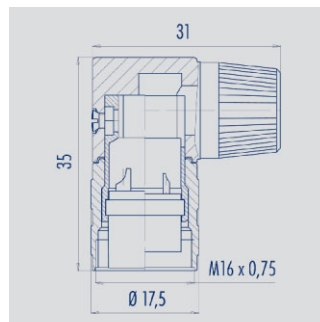


M16x0.75 Mating female connector
5-pin, straight, with coupling nut,
solder terminal, IP40, shielded

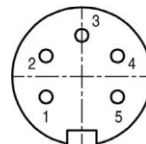
Connector housing CuZn
(Brass, nickel plated)
-40 °C... +85 °C

For wire gauge 4...6 mm,
max. 0.75 mm²

Type EEM 33-71, P/N 005612



Pin assignment



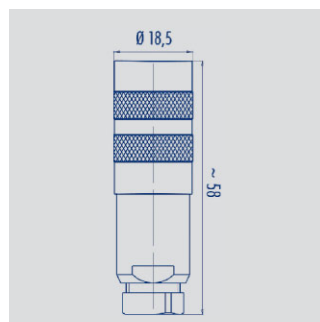
IP40

M16x0.75 Mating female connector
5-pin, angled, with coupling nut,
solder terminal, IP40, not shielded

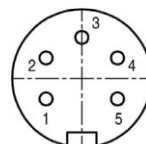
Connector housing Plastic PA
-40 °C... +85 °C

For wire gauge 6...8 mm,
max. 0.75 mm²

Type EEM 33-72, P/N 005613



Pin assignment



IP67



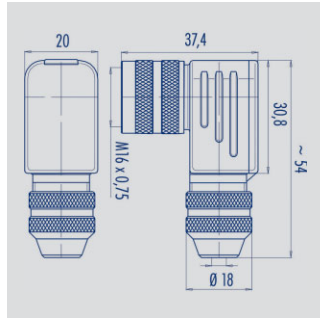
UL

M16x0.75 Mating female connector
5-pin, straight, with coupling nut,
solder terminal, IP67, shielded

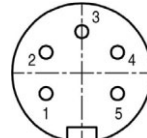
Connector housing CuZn
(Brass, nickel plated)
-40 °C... +95 °C

For wire gauge 4...6 mm, PG7
max. 0.75 mm²

Type EEM 33-76, P/N 005614



Pin assignment

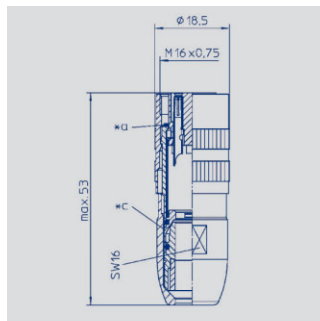


M16x0.75 Mating female connector
5-pin, angled, with coupling nut,
solder terminal, IP67, shielded

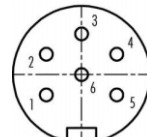
Connector housing CuZn
(Brass, nickel plated)
-40 °C... +95 °C

For wire gauge 4...6 mm, PG 7
max. 0.75 mm²

Type EEM 33-77, P/N 005615



Pin assignment

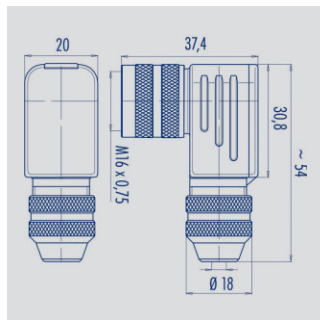


M16x0.75 Mating female connector
6-pin, straight, with coupling nut,
solder terminal, IP68, shielded

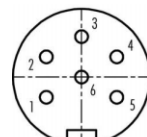
Connector housing CuZn
(Brass, nickel plated)
-40 °C... +85 °C

For wire gauge 4...8 mm,
max. 0.75 mm²

Type EEM 33-82, P/N 005639



Pin assignment

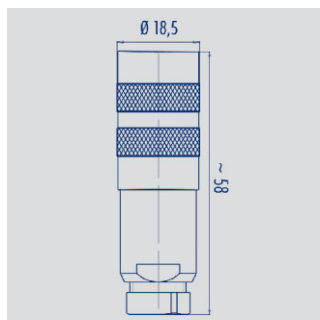


M16x0.75 Mating female connector
6-pin, angled, with coupling nut,
solder terminal, IP67, shielded

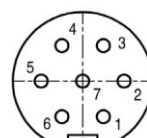
Connector housing CuZn
(Brass, nickel plated)
-40 °C... +95 °C

For wire gauge 6...8 mm, PG 9
max. 0.75 mm²

Type EEM 33-94, P/N 005648



Pin assignment

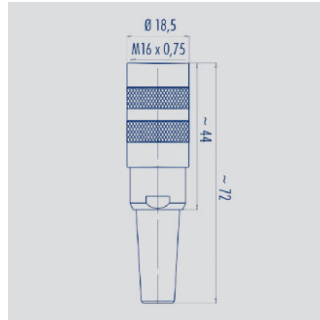


M16x0.75 Mating female connector
7-pin, straight, with coupling nut,
solder terminal, IP67, shielded

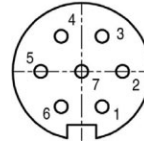
Connector housing CuZn
(Brass, nickel plated)
-40 °C... +95 °C

For wire gauge 4...6 mm, PG 7
max. 0.75 mm²

Type EEM 33-78, P/N 005621



Pin assignment

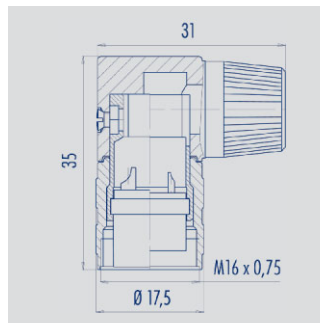


M16x0.75 Mating female connector,
7-pin, straight, with coupling nut,
solder terminal, IP40, shielded

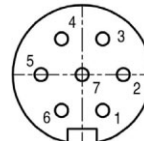
Connector housing CuZn
(Brass, nickel plated)
-40 °C... +85 °C

For wire gauge 4...6 mm,
max. 0.75 mm²;

Type EEM 33-79, P/N 005622



Pin assignment

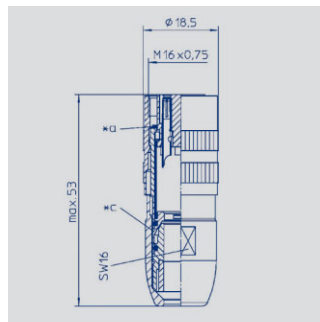


M16x0.75 Mating female connector,
7-pin, angled, with coupling nut,
solder terminal, IP40, not shielded

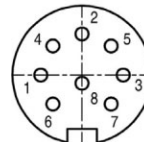
Connector housing Plastic PA
-40 °C... +85 °C

For wire gauge 6...8 mm,
max. 0.75 mm²

Type EEM 33-80, P/N 005623



Pin assignment

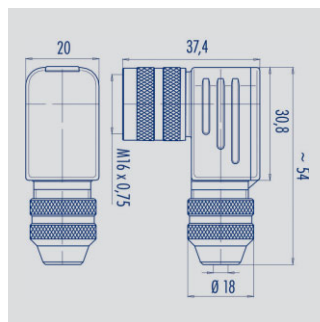


M16x0.75 Mating female connector,
8-pin, straight, with coupling nut,
solder terminal, IP68, shielded

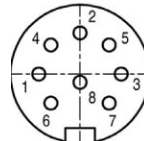
Connector housing CuZn
(Brass, nickel plated)
-40 °C... +85 °C

For wire gauge 4...8 mm,
max. 0.75 mm²

Type EEM 33-84, P/N 005627



Pin assignment



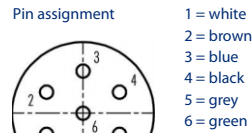
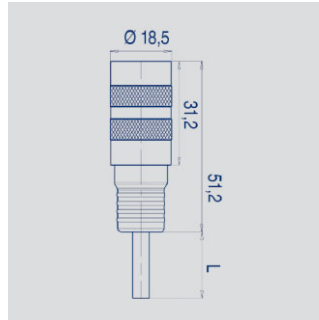
M16x0.75 Mating female connector,
8-pin, angled, with coupling nut,
solder terminal, IP67, shielded

Connector housing CuZn
(Brass, nickel plated)
-40 °C... +95 °C

For wire gauge 6...8 mm, PG 9
max. 0.75 mm²

Type EEM 33-85, P/N 005628

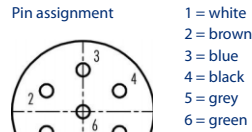
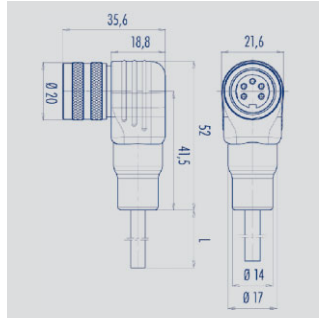
© 09/2014
Subject to change.



M16x0.75 Mating female connector,
6-pin, straight, with molded cable,
2 m length, shielded, IP67, open ended

Connector housing	PUR
Cable sheath	PUR; Ø max. 6 mm, -5...+70 °C (moved) -20...+70 °C (fixed)
Wires	PVC, 6 x 0.25 mm ²
Type EEM 33-26, P/N 056126	

This coupling can be used in combination with 5-pin M16 connectors. Than „pin 6 / green“ is open.



M16x0.75 Mating female connector 6-pin,
angled, with molded cable, 2 m length,
shielded, IP67, open ended

Connector housing	PUR
Cable sheath	PUR; Ø max. 6 mm, -5...+70 °C (moved) -20...+70 °C (fixed)
Wires	PVC, 6 x 0.25 mm ²
Type EEM 33-27, P/N 0056127	

This coupling can be used in combination with 5-pin M16 connectors. Than „pin 6 / green“ is open.

IP40 Protection class IP40 to DIN EN 60529

IP67 Protection class IP67 to DIN EN 60529

Very good Electromagnetic Compatibility (EMC) and shield systems

UL UL - approved

Note: The protection class is valid only in locked position with its plugs. The application of these products in harsh environments must be checked in particular cases.