

OFS 120 P3S T3

Optical Fork Sensors

Optical Fork Sensors



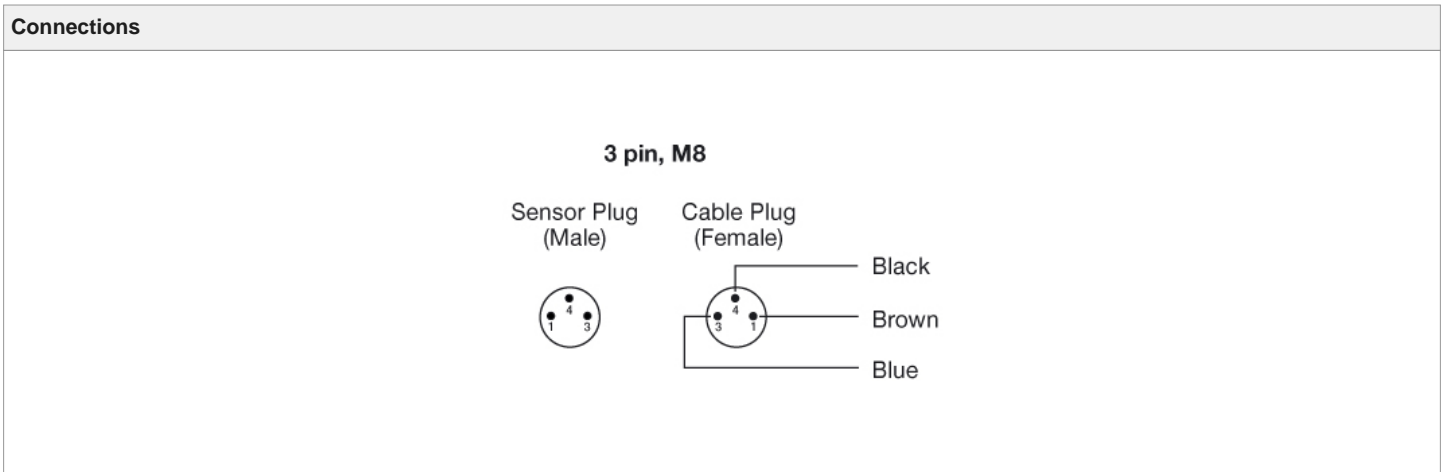
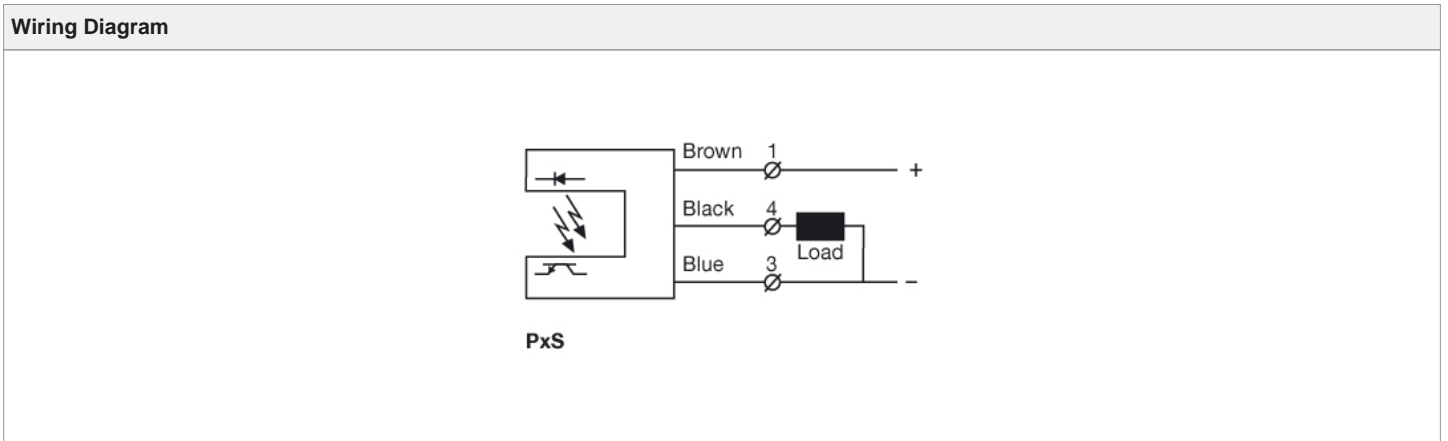
Product Data	
Function	Fork Sensor
Operation Mode	Fork Sensors
Supply Voltage	10 - 35 V dc
Control Feature	Sensitivity pot. and light/dark switch
Output	PNP
Output Status	N.C./N.O.
Light Source	Infrared
Fork Opening Width	120 mm
Fork Opening Depth	60 mm

Technical Data	
Supply Voltage	10-35 V dc
Reverse Polarity Protected	Yes
Short Circuit Protected	Yes
Current Consumption	Max. 35 mA
Max. Output Load	200 mA
Response Time ton / toff	0,2 ms / 0,2 ms
Output Indicator	Yellow LED
Hysteresis	< 0,2 mm
Light Source	Infrared (880 nm)
Resolution	0,4 mm
Operation Frequency	2500 Hz
Housing Material, Front Lens	Glass
Housing Material, Fork Housing	Aluminium (black anodised)

Environmental Data	
Vibration	10 - 55 Hz, 0,5 mm
Shock	10 g

Operation Temperature	- 20 to +60 °C
Storage Temperature	- 40 to +80 °C
Sealing Class	IP 67
Light Immunity 15°	> 50 000 lux

Approvals

Dimensions

