

# MAFR300L series

AIR UNITS (F.R.UNIT)



mindman

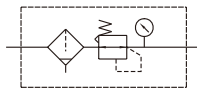


- Longer case for adapting high efficient auto drain valve.

## Specification

Model	MAFR300L	
Bore No.	8A	10A
Port size	1/4	3/8
Medium	Air	
Operating pressure range	0.05~1 MPa	
Proof pressure	1.5 MPa	
Regulated pressure range	0.05~0.85 MPa	
Ambient temperature	- 5~ + 60°C (No freezing)	
Filter element	Standard: 5 μm Option: 40 μm	
Attachment	Pressure gauge (PG-40), bracket	
Weight	452 g	

## Symbol



## Order example

MAFR300L — 8A — D — □ — □

MODEL

BORE SIZE

8A: 1/4  
10A: 3/8

FILTER ELEMENT

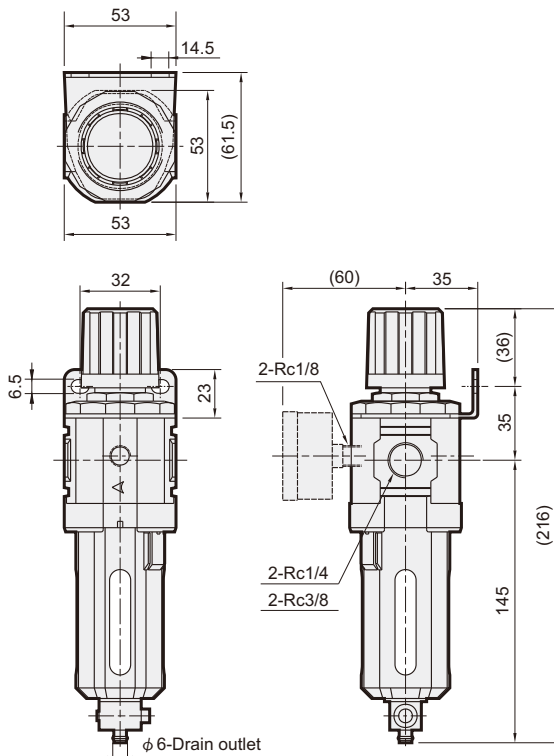
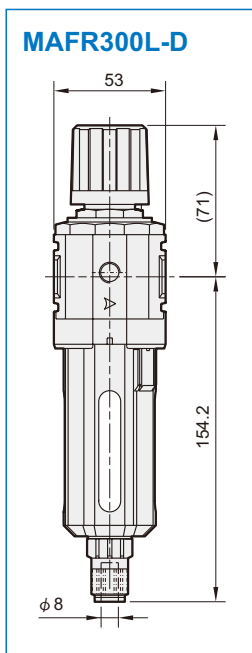
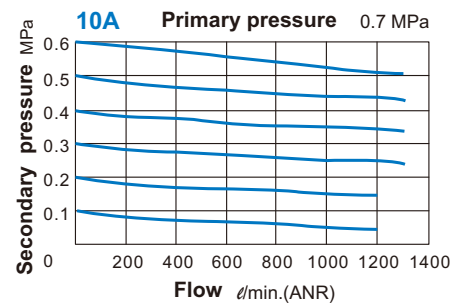
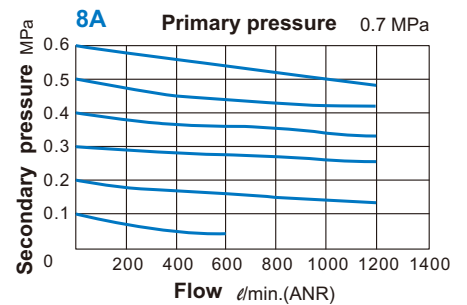
Blank: 5 μm  
40u: 40 μm

PORT THREAD

Blank: Rc thread  
G: G thread  
NPT: NPT thread

D: Auto drain valve (FMRF300)  
N: Nylon bowl

## Flow feature



mindman