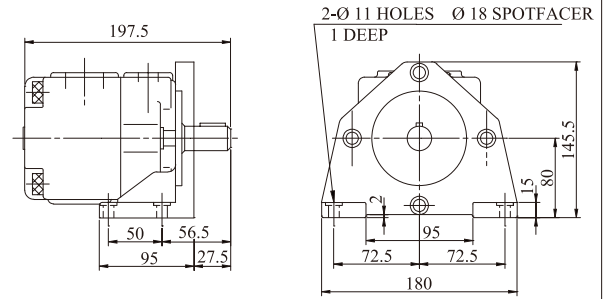
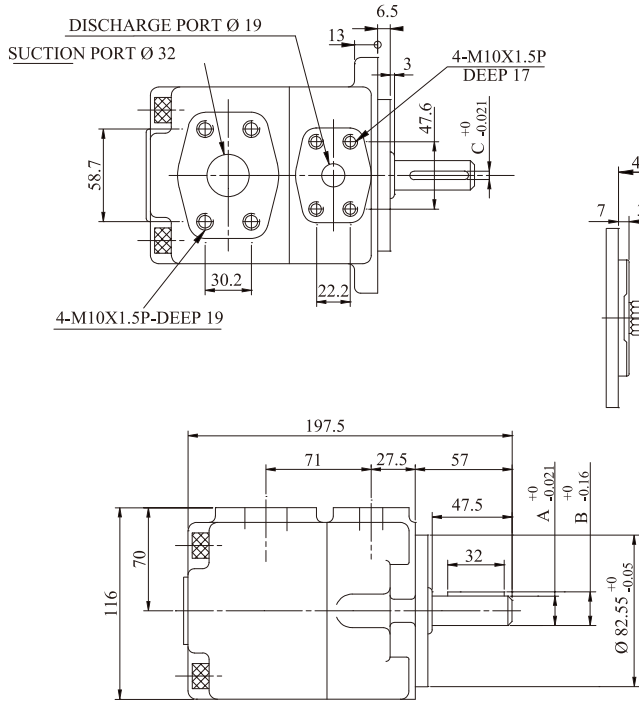


DVQ20

Max. Pressure: 260 Kg/cm² (Peak)
Max. Speed: 1800 rpm

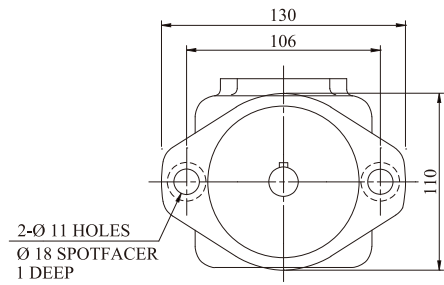


Foot Type (腳座型)

NO.04-Shaft

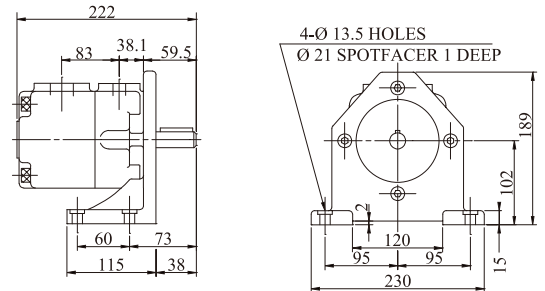
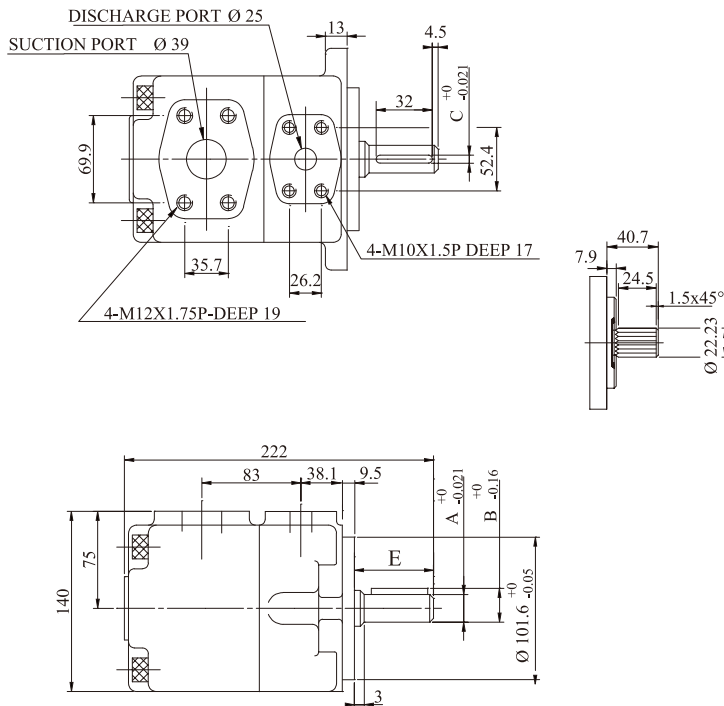
13-Teeth Spline
7/8" (22.225)DIA
30° pressure angle
Flat root side fit

| | A | B | C |
|-------------|--------------|-------|------|
| NO.01-Shaft | Ø 19.05 | 21.24 | 4.76 |
| NO.02-Shaft | Ø 22.23 | 24.5 | 4.76 |
| NO.03-Shaft | Ø 22.23 | 25.01 | 6.35 |
| NO.04-Shaft | Spline shaft | | |



DVQ25

Max. Pressure: 260 Kg/cm² (Peak)
Max. Speed: 1800 rpm



Foot Type (腳座型)

NO.04-Shaft

16/32 d.p.
-13 teeth
30° pressure angle
Flat root side fit.

| | A | B | C | E |
|-------------|--------------|-------|------|------|
| NO.01-Shaft | Ø 22.23 | 24.5 | 6.35 | 50.5 |
| NO.02-Shaft | Ø 25.4 | 28.18 | 6.35 | 50.5 |
| NO.03-Shaft | Ø 30.0 | 33.0 | 7.0 | 59 |
| NO.04-Shaft | Spline shaft | | | |
| NO.W-Shaft | Ø 28.0 | 30.8 | 6.35 | 50.5 |

