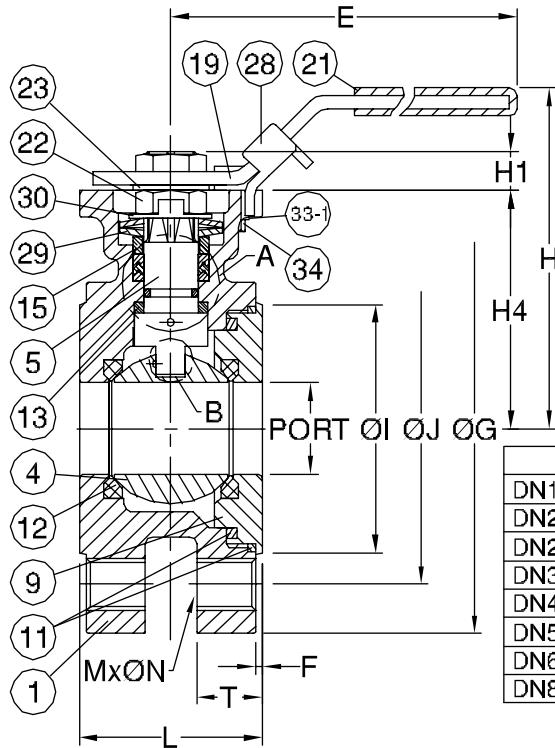
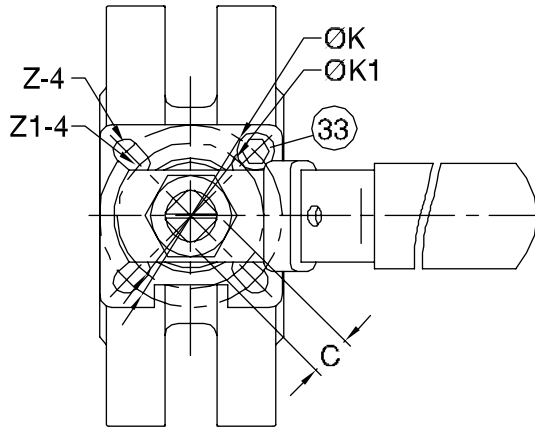
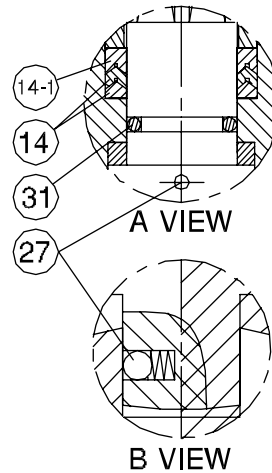


Fig No: **WB-31**

**MATERIALS LIST**

NO.	PART NAME	MATERIAL
1	BODY	1.4408 / EN1503-1
4	BALL	CF8M / EN1503-2
5	STEM	SS316
9	INSERT CAP	1.4408 / EN1503-1
11	BODY SEAL	PTFE.
12	SEAT	RTFE.
13	THRUST WASHER	PTFE.
14	STEM PACKING	PTFE.
14-1	STEM PACKING	PTFE.+25%GF
15	GLAND BUSH	SS304
19	HANDLE	SS304
21	HANDLE COVER	PLASTIC
22	STEM NUT	SS304
23	HANDLE WASHER	SS304
27	ANTI-STATIC DEVICE	SS316
28	LOCKING DEVICE	SS304
29	BELLEVILLE WASHER	SS301
30	TAB WASHER	SS304
31	O-RING	VITON
33	STOP PIN	SS304
33-1	STOP PIN WASHER	SS304
34	STOP PIN NUT	SS304



**DIMENSIONS**

SIZE	PORT	L	E	H	H1	H4	C	ØG	ØJ	ØI	T	F	M	ØN	ØK	ØK1	Z	Z1	
DN15	1/2"	15.0	40.8	139.0	85.0	7.0	48.7	9.0	82.0	65.0	45.0	16.0	2.0	4	M12	42.0	36.0	6.0	6.0
DN20	3/4"	20.0	44.0	139.0	90.0	8.0	53.7	9.0	98.6	75.0	58.0	18.0	2.0	4	M12	42.0	36.0	6.0	6.0
DN25	1"	25.0	50.0	165.0	104.0	12.0	65.0	11.0	115.0	85.0	68.0	18.0	2.0	4	M12	50.0	42.0	7.0	6.0
DN32	1-1/4"	32.0	60.0	165.0	116.0	11.3	77.0	11.0	140.0	100.0	78.0	18.0	2.0	4	M16	50.0	42.0	7.0	6.0
DN40	1-1/2"	40.0	65.0	215.0	135.0	15.5	85.5	14.0	150.0	110.0	88.0	18.0	3.0	4	M16	70.0	50.0	9.0	7.5
DN50	2"	50.0	80.0	215.0	142.0	16.0	93.0	14.0	165.0	125.0	102.0	18.0	3.0	4	M16	70.0	50.0	9.0	7.5
DN65	2-1/2"	65.0	110.0	263.0	168.0	15.8	109.7	17.0	185.0	145.0	122.0	22.0	3.0	8	M16	102.0	70.0	12.0	10.0
DN80	3"	80.0	120.0	313.0	178.0	16.0	119.5	17.0	200.0	165.0	138.0	24.0	3.0	8	M16	102.0	70.0	12.0	10.0

unit:mm

CODE	W-001		APPROVED BY	CHECK BY	DRAWN BY	DRAWING NO.	MATERIAL	UNIT	DESCRIPTION
	SIGN	TONY	MICHAEL	SHANA	WB-31-W001	MATERIALS LIST	mm	ONE PIECE WAFER TYPE BALL VALVES, FLANGED END, FULL BORE, PN 40	
	DATE	05/20/2009	05/20/2009	05/20/2009	REVISION	01	SCALE		FREE

Fig No: **WB-31**

**MATERIALS LIST**

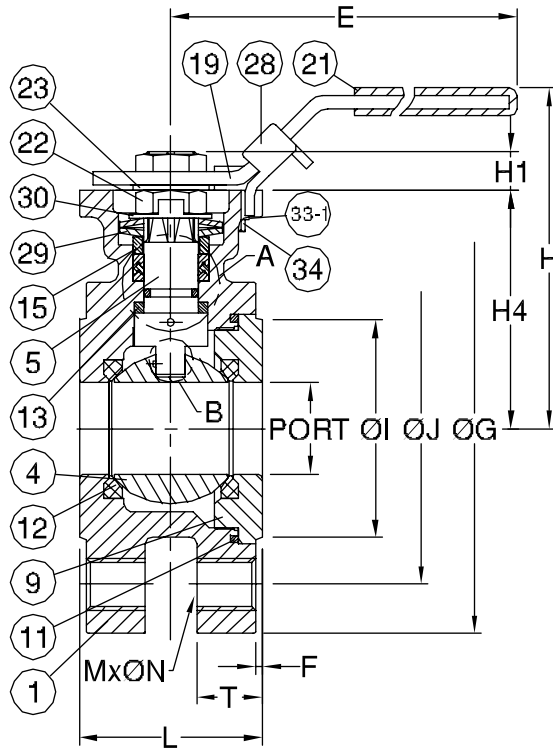
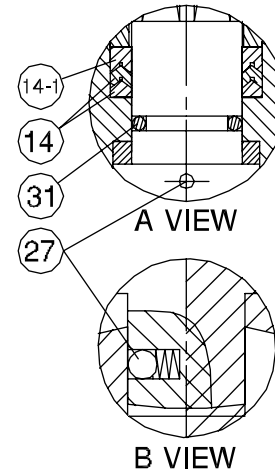
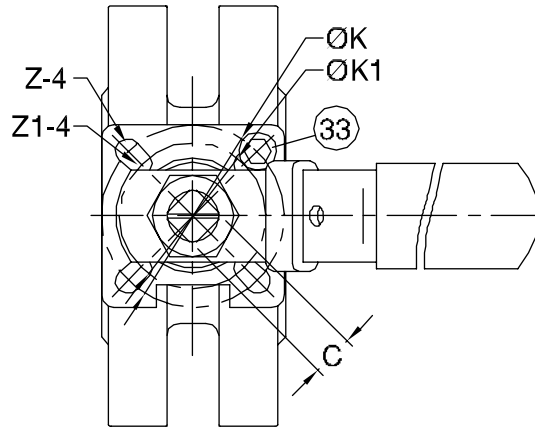
NO.	PART NAME	MATERIAL
1	BODY	1.4408 / EN1503-1
4	BALL	CF8M / EN1503-2
5	STEM	SS316
9	INSERT CAP	1.4408 / EN1503-1
11	BODY SEAL	PTFE.
12	SEAT	RTFE.
13	THRUST WASHER	PTFE.
14	STEM PACKING	PTFE.
14-1	STEM PACKING	PTFE.+25%GF
15	GLAND BUSH	SS304
19	HANDLE	SS304
21	HANDLE COVER	PLASTIC
22	STEM NUT	SS304
23	HANDLE WASHER	SS304
27	ANTI-STATIC DEVICE	SS316
28	LOCKING DEVICE	SS304
29	BELLEVILLE WASHER	SS301
30	TAB WASHER	SS304
31	O-RING	VITON
33	STOP PIN	SS304
33-1	STOP PIN WASHER	SS304
34	STOP PIN NUT	SS304

**DIMENSIONS**

unit:mm

SIZE	PORT	L	E	H	H1	H4	C	ØG	ØJ
DN100	4"	100.0	150.0	344.0	191.0	17.8	132.7	17.0	235.0

SIZE	ØI	T	F	M	ØN	ØK	ØK1	Z	Z1
DN100	4"	162.0	24.0	3.0	8	M20	102.0	70.0	12.0



CODE	W-001		APPROVED BY	CHECK BY	DRAWN BY	DRAWING NO.	MATERIAL	UNIT	DESCRIPTION
	SIGN	TONY	MICHAEL	SHANA	WB-31-W001		MATERIALS LIST	mm	ONE PIECE WAFER TYPE BALL VALVE, FLANGED END, FULL BORE, PN 40
	DATE	05/20/2009	05/20/2009	05/20/2009	REVISION	01	SCALE	FREE	