

San Ace

DC

DC Fan Motor

□

80mm

San Cooler 80



General specifications

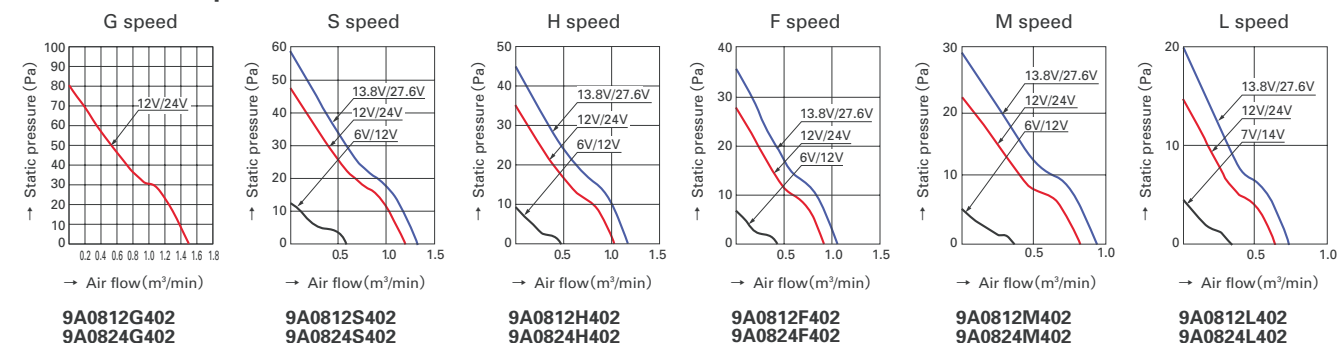
- Expected life It depends on each part numbers (Survival rate: 90% at 60°C, rated voltage, and continuously run in a free air state)
- Motor protection system Current blocking function (with reverse polarity protection)
- Dielectric strength 50/60 Hz, 500VAC, 1 minute (between lead conductor and frame)
- Noise measurement method .. Measured at 1m away from the air inlet
- Operating temperature range .. It depends on each part numbers (Non-condensing)
- Lead wire G, S, H, F speeds ⊕red, ⊖black
M speed ⊕red, ⊖blue
- Mass 90g

25mm thick Specifications

Model No.	Rated voltage (V)	Operating voltage range (V)	Rated current (A)	Rated input (W)	Rated speed (min ⁻¹)	Air flow (m ³ /min) (CFM)	Static pressure (Pa) (inchH ₂ O)	Noise (dB [A])	Operating temperature range (°C)	Expected life (h)
9A0812G402(4021)	12	6~13.2	0.38	4.56	4,500	1.5 53.0	80.3 0.323	40	-10 ~ +60	30,000
9A0812S402(4021)			0.18	2.16	3,400	1.2 42.4	48 0.193	34		
9A0812H402(4021)			0.13	1.56	2,900	1.03 36.4	35.3 0.142	29		
9A0812F402(4021)			0.11	1.32	2,600	0.92 32.5	28.4 0.114	26		
9A0812M402(4021)			0.09	1.08	2,350	0.83 29.3	22.5 0.090	23		
9A0812L402(4021)	7~13.8	0.06	0.72	1,850	0.65 23.0	14.7 0.059	20			
9A0824G402(4021)	24	12~26.4	0.21	5.04	4,500	1.5 53.0	80.3 0.323	40	-10 ~ +60	30,000
9A0824S402(4021)			0.1	2.4	3,400	1.2 42.4	48 0.193	34		
9A0824H402(4021)			0.07	1.68	2,900	1.03 36.4	35.3 0.142	29		
9A0824F402(4021)			0.06	1.44	2,600	0.92 32.5	28.4 0.114	26		
9A0824M402(4021)			0.05	1.2	2,350	0.83 29.3	22.5 0.090	23		
9A0824L402(4021)	14~27.6	0.04	0.96	1,850	0.65 23.0	14.7 0.059	20			

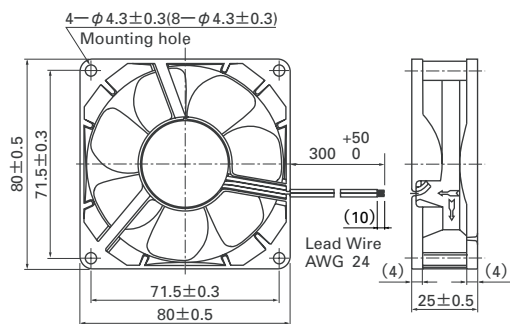
The numbers in () represent ribless models.

Air flow and static pressure characteristics



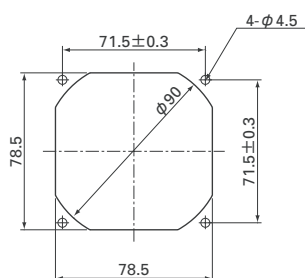
80mm

Dimensions (unit : mm)



Reference dimension of mounting holes and vent opening (unit : mm)

Air inlet sides · Air outlet sides



80mm

Notice

- The products shown in the catalog are subject to Japanese Export Control Law. Diversion contrary to the law of exporting country is prohibited.
- To protect against electrolytic cooling corrosion that may occur in locations of strong electromagnetic noise, we provide fans that are unaffected by electrolytic corrosion. Alternative measures to protect against electrolytic corrosion may include metallic finger guards or other metallic attachments. Please contact us for details.

SANYO DENKI