

# CVM-C5

## Multifunctional multimeter for panel



### Description

The **CVM-C5** is a panel mounted (96 x 96 mm) multimeter that records energy values. Compact and intuitive, with 4-quadrant measurement (Consumption and Generation). The **CVM-C5** is suitable for Low Voltage installations, in both 3 and 4-wire three-phase circuits, two-phase circuits with or without neutral, single-phase circuits or ARON connections.

Display features and interface:

- Quick display of parameters with a single button
- Clearly displays the electric parameters of the installation
- Displays the electricity consumption value according to the cost per kWh
- kgCO<sub>2</sub> consumption/generation indicator or according to the energy source
- Backlit LCD screen
- Operating hour indicator for preventive maintenance.

Other features:

- Modbus/RS-485 communications (optional)
- Measurement with **CIRCUTOR's MC** efficient current transformers or .../5 A, .../1 A or .../333 mV transformers.
- 1 digital output (S0 interface)
- 1 digital input (tariff or energy source selection)
- Maximum, minimum values and maximum demand.

### Applications

- Recording and displaying the consumption of energy from two different sources (network/generator set).
- Generation of an impulse signal associated with the cost, kgCO<sub>2</sub> emissions or savings, according to the consumption or generation of energy.
- Generation of alarms with a transistor output; configurable parameters: Low/High, hysteresis (%), NO/NC, connection/disconnection delay and interlocking.

### Technical features

|                                 |  |  |
|---------------------------------|--|--|
| <b>Power circuit</b>            | Power supply voltage   | 85-265 Vac / 50...60 Hz<br>95-300 Vdc  |
|                                 | <b>Measurement circuit</b>   | Voltage  |
| <b>Accuracy class</b>           | Frequency  | 45 ... 65 Hz   |
|                                 | Current  | .../5 A or .../1 A<br><b>MC:</b> .../250 mA<br>.../333 mV  |
|                                 | Sampling   | 32 samples/cycle   |
|                                 | V, I   | 0,5%   |
| <b>Output</b>                   | Power / Energy   | 1%   |
|                                 | 1 digital output   | S0 interface<br>Configurable, up to 1,000 impulses per kWh, kvar-h, etc.<br>(24 Vdc max., 50 mA, 5 imp/s,<br>Configurable Max. T <sub>on</sub> /T <sub>off</sub> ) |
| <b>Input</b>                    | 1 digital input  | Tariff selection,<br>NPN, optocoupled  |
| <b>Communications</b>           | Protocol   | RS-485 Modbus/RTU (depending on model)   |
|                                 | Speed  | 9600, 19200, 38400   |
|                                 | Bit, parity, stop  | 8, n, 1  |
| <b>Build features</b>           | Enclosure  | VO self-extinguishing plastic  |
|                                 | IP protection degree   | Front panel: IP 51<br>Rear: IP 31  |
|                                 | Dimensions   | 96,7 x 96,7 x 62,60 mm   |
| <b>Environmental conditions</b> | Working temperature  | -5...+45 °C  |
|                                 | Relative humidity  | 5 ... 95%  |
|                                 | Maximum altitude   | 2000 m   |
| <b>Safety</b>                   | Class III according to <b>EN 61010</b><br>Double-insulated electric shock protection, Class II                         |  |
| <b>Standards</b>                | <b>IEC 664, VDE 0110, UL 94, IEC 801, IEC 348, IEC 571-1, EN 61000-6-3, EN 61000-6-1, EN 61010-1, CE, UL certified</b> |  |

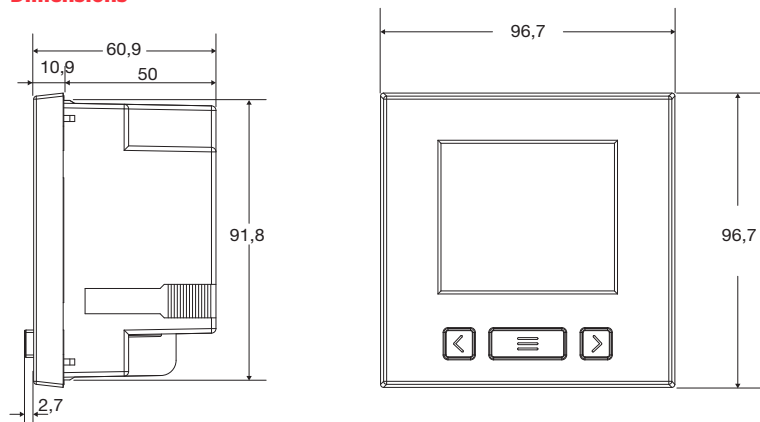
# CVM-C5

## Multifunctional multimeter for panel

### References

| Current input    | Inputs | Outputs | Communication | Type             | Code          |
|------------------|--------|---------|---------------|------------------|---------------|
| .../5 A, .../1 A | 1      | 1       | -             | CVM-C5-IC        | M55853        |
| .../250 mA       | 1      | 1       | -             | CVM-C5-MC-IC     | M55873        |
| .../333 mV       | 1      | 1       | -             | CMV-C5-mV-IC     | M558730000V00 |
| .../5 A, .../1 A | -      | 1       | RS-485        | CVM-C5-ITF-485-C | M55884        |
| .../5 A, .../1 A | 1      | -       | RS-485        | CVM-C5-ITF-485-I | M55885        |
| .../250 mA       | -      | 1       | RS-485        | CVM-C5-MC-485-C  | M55894        |
| .../250 mA       | 1      | -       | RS-485        | CVM-C5-MC-485-I  | M55895        |
| .../333 mV       | -      | 1       | RS-485        | CVM-C5-mV-485-C  | M558940000V00 |
| .../333 mV       | 1      | -       | RS-485        | CVM-C5-mV-485-I  | M558950000V00 |

### Dimensions



### Connections

Three-phase + neutral connection  
with or without voltage transformers

Single-phase connection  
with or without voltage transformers

