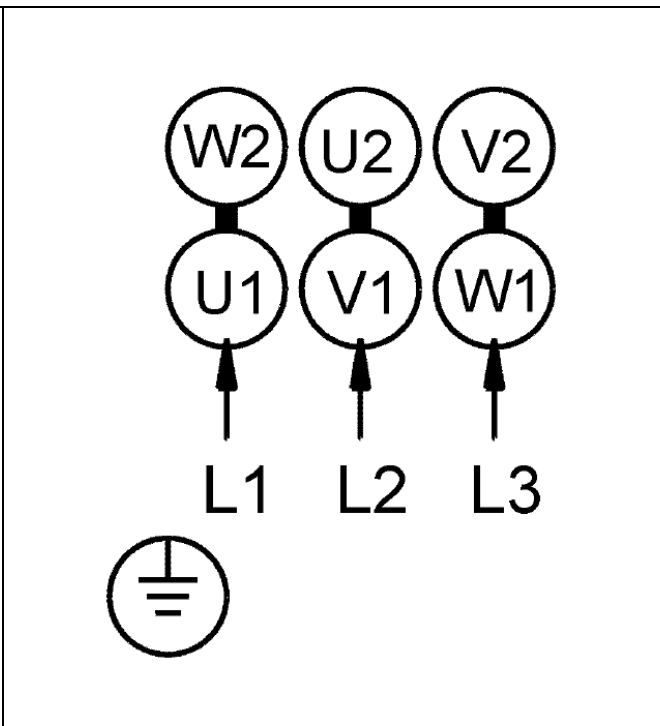
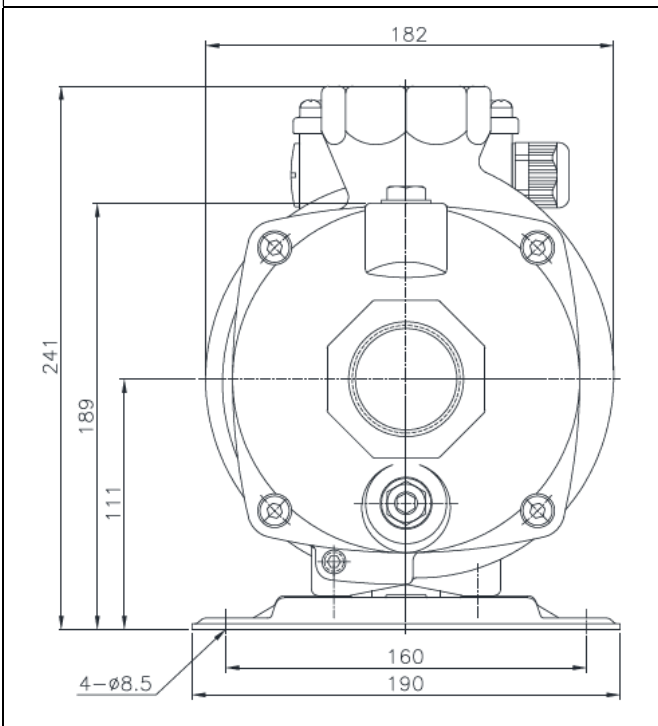
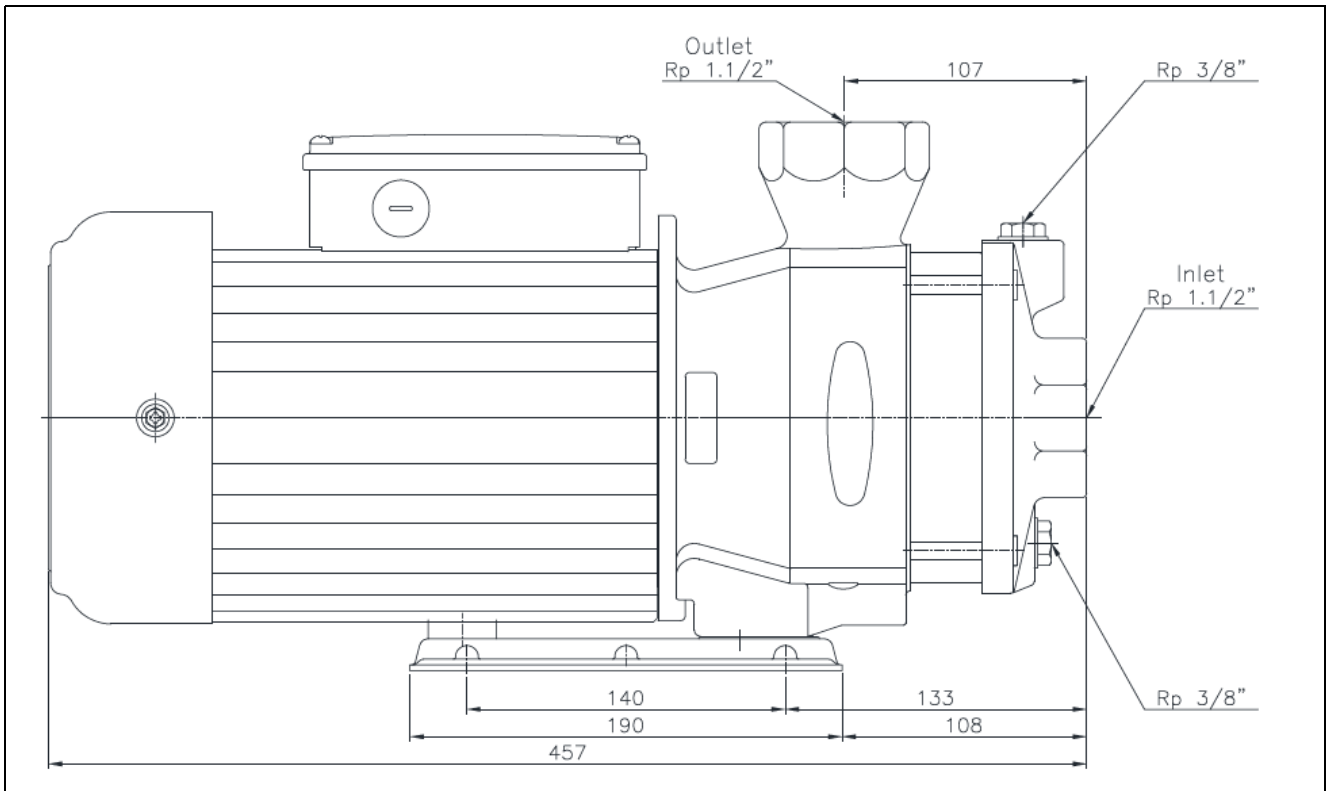


Description	Value	Description	Value
Product name:	TPH12T4K	Installation:	
Product No:		Maximum ambient temperature:	40°C
EAN number:		Maximum operating pressure:	10kg/ cm ²
		Max pressure at stated temp:	10kg/ cm ² / 90°C
Technical:		Flange standard:	THREAD Rp
Speed for pump data	2860rpm / 3420rpm	Connect code:	
Rated flow:	10.2 m ³ /h / 12.0 m ³ /h	Pump inlet:	Rp 1.1/2"
Rated head:	35m / 50m	Pump outlet:	Rp 1.1/2"
Impellers:	2	Liquid:	
Shaft seal:	HSSE	Liquid temperature range:	0-90°C
Maximum operating pressure:	10kg/ cm ²	Liquid temp:	20°C
Approvals on nameplate:	CE,ROHS	Density:	998.2 kg/ m ³
Materials:		Electrical data:	
Pump housing:	Cast iron FC20	Rated power – P2:	3.0kW / 3.0kW
		Mains frequency:	50HZ / 60HZ
Impeller:	Stainless steel SUS304	Rated voltage:	400V / 460V
Material code:		Rated current:	5.9A / 5.3A
Rubber:	EPDM	Max current:	6.5A / 6.7A
Code for rubber:	E	Enclosure class (IEC 34-5):	54
Others		Insulation class (IEC 85):	F
Net weight:		Motor protec:	NO
Gross weight:		High Efficiency:	IE3

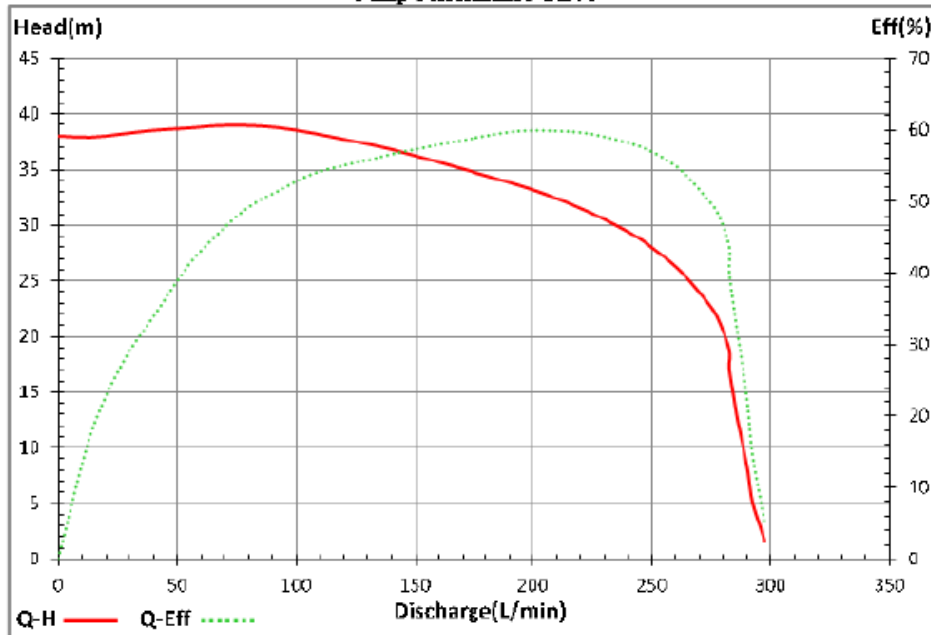


Material number / Materialnummer	10069030	Material description / Materialbezeichnung:	Pump TPH12T4K 400/460V 50/60Hz Pumpe TPH12T4K 400/460V 50/60Hz
Created by / Erstellt von	Th. Lindemann	Date / Datum:	08.03.2017
		IE3	
		Page / Pages Seite / Seiten	1/4



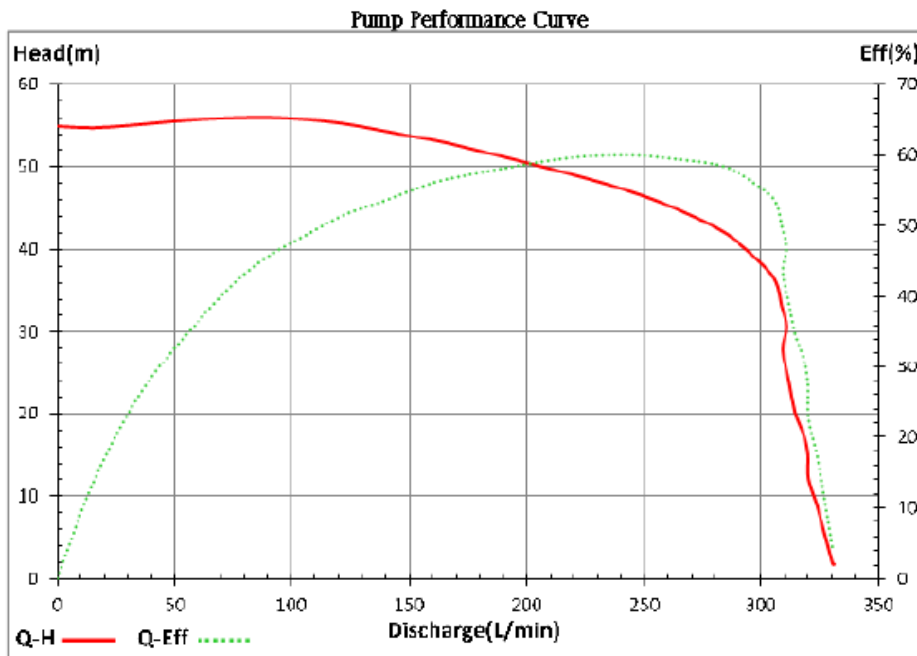
50HZ/400V

Pump Performance Curve



Material number / Materialnummer	10069030	Material description / Materialbezeichnung:	Pump TPH12T4K 400/460V 50/60Hz Pumpe TPH12T4K 400/460V 50/60Hz		
Created by / Erstellt von	Th. Lindemann	Date / Datum:	08.03.2017	IE3	Page / Pages Seite / Seiten
					2/4

60HZ/460V



Material number / Materialnummer	10069030	Material description / Materialbezeichnung:	Pump TPH12T4K 400/460V 50/60Hz Pumpe TPH12T4K 400/460V 50/60Hz
Created by / Erstellt von	Th. Lindemann	Date / Datum:	08.03.2017
		IE3	
		Page / Pages Seite / Seiten	3/4

Material number / Materialnummer	10069030	Material description / Materialbezeichnung:	Pump TPH12T4K 400/460V 50/60Hz Pumpe TPH12T4K 400/460V 50/60Hz			
Created by / Erstellt von	Th. Lindemann	Date / Datum:	08.03.2017	IE3	Page / Pages Seite / Seiten	4/4