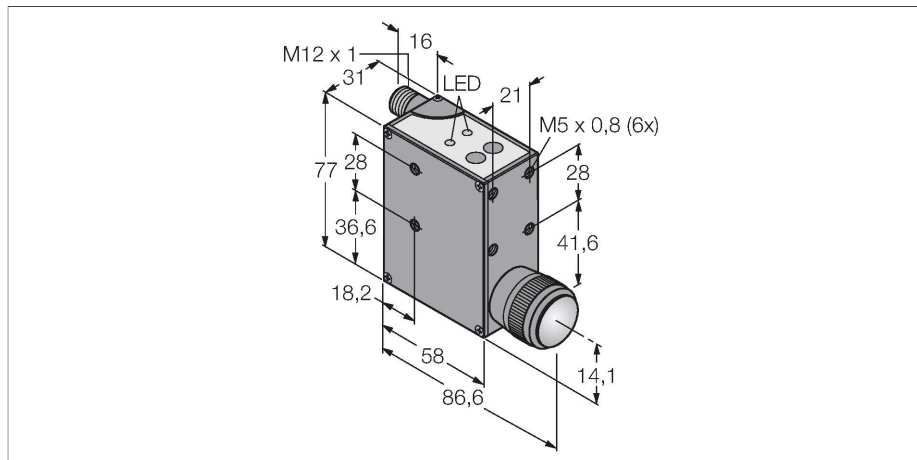


# QL56M6XD40BQ

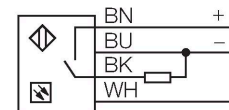
## Photoelectric Sensor – Luminescence Sensor



### Features

- Protection class IP67
- M12 × 1 connector rotatable by 90°
- Operating voltage 10...30 VDC
- PNP or NPN switching output
- 0...7 V analog output
- Non-volatile EEPROM memory

### Wiring diagram



### Technical data

Type	QL56M6XD40BQ
ID	3081328
<b>Optical data</b>	
Function	Inspection sensor
Operating mode	Luminescence sensor
Light type	UV
Range	50 mm
<b>Electrical data</b>	
Operating voltage	15...30 VDC
DC rated operational current	≤ 100 mA
No-load current	≤ 200 mA
Output function	NO contact, PNP/Analog output
Switching frequency	2 kHz
Setting option	Push Button
<b>Mechanical data</b>	
Design	Rectangular, QL55
Dimensions	77 x 31 x 58 mm
Housing material	Metal, AL
Lens	glass, Glass
Electrical connection	Connector, M12 × 1, PVC
Number of cores	5
Ambient temperature	-10...+55 °C
Relative humidity	0...90 %
Protection class	IP67
Special features	keep/defer
Switching state	LED, Red
Excess gain indication	LED

### Functional principle

The QL55 is a user-friendly compact luminescence sensor, which emits invisible ultraviolet light via its UV emitting LED and detects the resulting visible luminescent light of the medium. Detection is enabled through conversion of the light wave length with the reflection on media which contain luminescent substrates. Due to its compact size it can be easily mounted almost everywhere. The configuration options comprise a programming mode for adjustment of the sensitivity as well as a fine tuning option for a large range of luminescence intensities and background conditions. Alongside the choice between an NPN or PNP switching output, there is also an analogue voltage output available.

## Technical data

### Tests/approvals

Approvals

CE

---