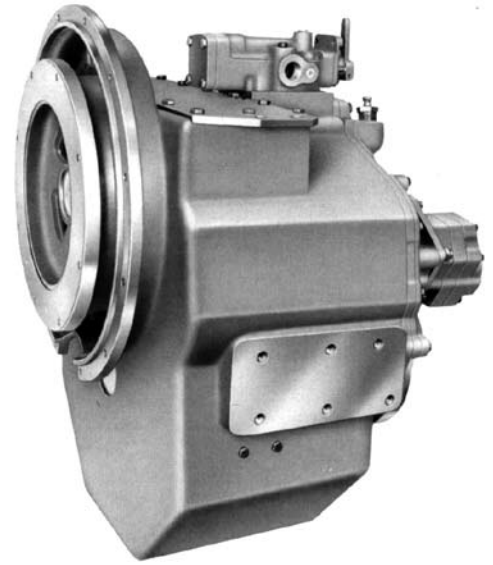
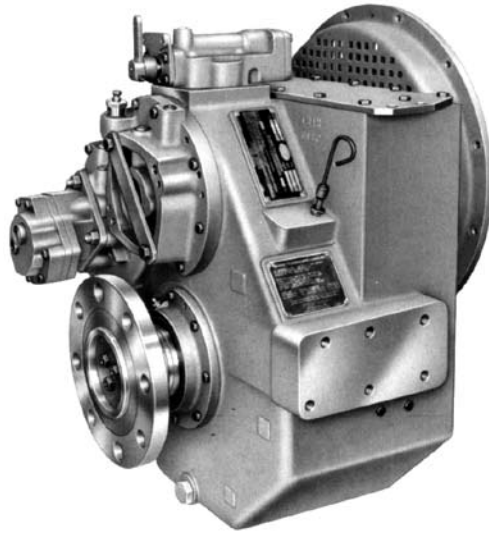


MAXIMUM 336 KW (1997 HP) @ 2600 RPM [INTERMEDIATE DUTY]**STANDARD EQUIPMENT****MG-5091**

Helical gears for quieter operation
 Oil-controlled and cooled clutches
 Rubber block drive
 SAE housings no. 1 and 2

**OPTIONS**

Live PTO –

MG-5091 SC**MG-5091 DC**

SAE 'C' pump-mount PTO rated 112 kW (150 hp) @ 1800 rpm	x	x
Hydraulic Clutchable PTO –		
SAE 'C' pump mount PTO rated 78 kW (104 hp) @ 1800 rpm	x	x
Hydraulic Clutchable PTO –		
1.875" diameter shaft drive PTO rated 78 kW (104 hp) @ 1800 rpm	x	x
Raw water heat exchanger kit	x	
Torsional input couplings		x
Trolling valve	x	x
Weight (dry weight with standard equipment)	220 kg	297 kg

Contact Twin Disc for Survey Society Approvals and Classifications.

Specifications subject to change without prior notice in the interest of continual product improvement.

INPUT RATINGS – KILOWATTS (KW) (HORSEPOWER [HP])*

MG-5091 SC	Reduction Ratios :1	Pleasure Craft Duty		Intermediate Duty			Continuous Duty		
		@1400 RPM	@2600 RPM	@1400 RPM	@2100 RPM	@2600 RPM	@1200 RPM	@1800 RPM	@2600 RPM
	1.17, 1.45, 1.71, 2.04	272 kW (365 hp)	447 kW (600 hp)	186 kW (250 hp)	280 kW (375 hp)	336 kW (450 hp)	124 kW (167 hp)	186 kW (250 hp)	246 kW (330 hp)
	2.45, 2.95	227 kW (304 hp)	373 kW (500 hp)						
	3.38	–	–	152 kW (203 hp)	227 kW (304 hp)	280 kW (375 hp)			

MG-5091 DC	Reduction Ratios :1	Intermediate Duty			Continuous Duty		
		@1400 RPM	@2100 RPM	@2600 RPM	@1200 RPM	@1800 RPM	@2600 RPM
	3.82, 4.50	186 kW (250 hp)	280 kW (375 hp)	336 kW (450 hp)	124 kW (167 hp)	186 kW (250 hp)	246 kW (330 hp)
	5.10	–	–	–			

* Ratings shown for use with standard right hand rotation engines.

SERVICE CLASSIFICATION DEFINITIONS

Pleasure Craft [PC]: Up to 500 hours/year, low load factor usage planing hull vessels where typical full engine throttle operation is less than 10% of total time. The balance of operation at 80% of full engine throttle or less. Marine transmissions for use in long range pleasure cruisers, sportfish charter boats/patrol boats do not qualify for Pleasure Craft Service.

Note: Some revenue producing applications such as Planing Hull Bristol Bay Gillnetter do qualify under Pleasure Craft rating definition.

Light Duty [LD]: Relatively low hour usage (less than 1500 hours per year) where full throttle operation is 2 hours out of 12.

Typical applications include planing hull vessels such as fire boats, sportfish charter boats, and patrol/custom boats. This rating is also applicable to some bow and stern thruster applications.

Intermediate Duty [ID]: Hour usage of up to 2000 hours/year (for models MG-5114 Series and smaller) and up to 3000 hours/year (for models larger than MG-5114 Series) with 50% of the operating time at full engine rating.

Typical applications include planing hull vessels such as ferries, fishing boats, some crew boats, and some displacement hull yachts as well as some bow and stern thruster applications.

Medium Duty [MD]: Hour usage of up to 4000 hours/year with up to 80% of operating time at full engine power. This duty classification is for usage where some variations in engine speed/power occur as part of normal vessel operation.

Typical vessels include mid-water trawlers, crew/supply boats, ferries, and some inland water tow boats.

Continuous Duty [CD]: For use in continuous operation with little or no variation in engine speed/power setting.

Typical vessels include fishing trawlers, tow/tug boats and ocean going vessels.

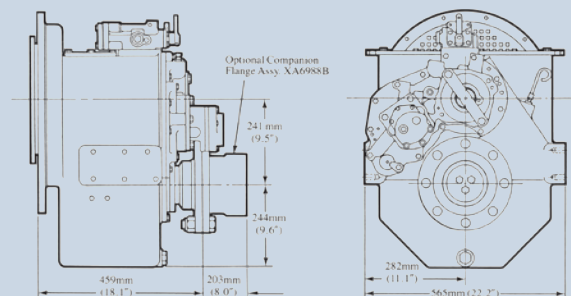
Important Notice: Torsional Vibration: Disregarding propulsion system torsional compatibility could cause damage to components in the drive train resulting in loss of mobility. At minimum, system incompatibility could result in gear clatter at low speeds.

The responsibility for ensuring that the torsional compatibility of the propulsion system is satisfactory rests with the assembler of the drive and driven equipment.

Torsional vibration analysis can be made by the engine builder, marine survey societies, independent consultants and others. Twin Disc is prepared to assist in finding solutions to potential torsional problems that relate to the marine transmission.

Twin Disc, Incorporated reminds users of these products that their safe operation depends on use in compliance with engineering information provided in this bulletin. Users are also reminded that safe operation depends on proper installation, operation and routine maintenance and inspection under prevailing conditions. It is the responsibility of the user (and not Twin Disc, Incorporated) to provide and install guards or safety devices which may be required by recognized safety standards or by the Occupational Safety and Health Act of 1970 and its subsequent provision.

MG-5091 DC



MG-5091 SC

